

Panel mounting frames - EV-T2SF - 1405218

Please be informed that the data shown in this PDF Document is generated from our Online Catalog. Please find the complete data in the user's documentation. Our General Terms of Use for Downloads are valid (<http://phoenixcontact.com/download>)



Panel mounting frame for Infrastructure Socket Outlet, Type 2, IEC 62196-2, Thread: M5

Product Description

Panel mounting frame for Socket Outlet



Key Commercial Data

Packing unit	1 STK
Weight per Piece (excluding packing)	60.0 g
Custom tariff number	85389099
Country of origin	Germany

Technical data

Product definition

Product type	Panel mounting frame for Infrastructure Socket Outlet
Standards/regulations	IEC 62196-2
Charging standard	Type 2
Charging mode	Mode 3
Type of charging current	AC

Dimensions

Height	76.8 mm
Width	76.6 mm
Depth	13.4 mm
Bore dimensions	60 mm x 60 mm

Ambient conditions

Panel mounting frames - EV-T2SF - 1405218

Technical data

Ambient conditions

Ambient temperature (operation)	-30 °C ... 50 °C
Ambient temperature (storage/transport)	-40 °C ... 80 °C

Mounting

Possible mounting positions	Front mounting, screwed on the back
Required mounting screws	M5

Design

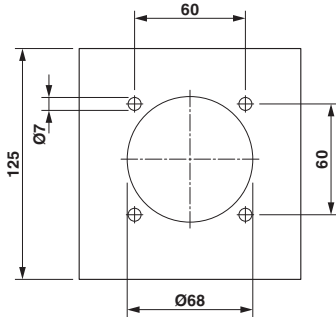
Design line	Standard
Housing color	black
Customer variations	On request

Material

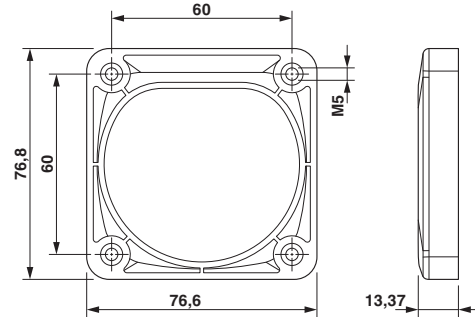
Material	Plastic
----------	---------

Drawings

Dimensional drawing



Dimensional drawing



Hole image

Dimensional drawing

Classifications

eCl@ss

eCl@ss 4.0	27141210
eCl@ss 4.1	27141210
eCl@ss 5.0	27149110
eCl@ss 5.1	27149110
eCl@ss 6.0	27261210
eCl@ss 7.0	27440208
eCl@ss 8.0	27440208

Panel mounting frames - EV-T2SF - 1405218

Classifications

eCl@ss

eCl@ss 9.0	27144792
------------	----------

ETIM

ETIM 2.0	EC000241
ETIM 3.0	EC002040
ETIM 4.0	EC002314
ETIM 5.0	EC002061

UNSPSC

UNSPSC 6.01	30212113
UNSPSC 7.0901	39121712
UNSPSC 11	39121712
UNSPSC 12.01	39121712
UNSPSC 13.2	39121712

Accessories

Accessories

Infrastructure socket outlet

Socket Outlet - EV-T2M3SE12-3AC32A-0,7M6,0E10 - 1405214



Infrastructure Socket Outlet for charging electric vehicles with alternating current (AC), compatible with Infrastructure Plugs, Type 2, IEC 62196-2, 32 A / 480 V (AC), 12 V Locking actuator, Single wires, Length: 0.7 m, Thread: M5, Screw connection of a hinged cover: Only rear mounting possible

Socket Outlet - EV-T2M3SE24-3AC32A-0,7M6,0E10 - 1405216



Infrastructure Socket Outlet for charging electric vehicles with alternating current (AC), compatible with Infrastructure Plugs, Type 2, IEC 62196-2, 32 A / 480 V (AC), 24 V Locking actuator, Single wires, Length: 0.7 m, Thread: M5, Screw connection of a hinged cover: Only rear mounting possible