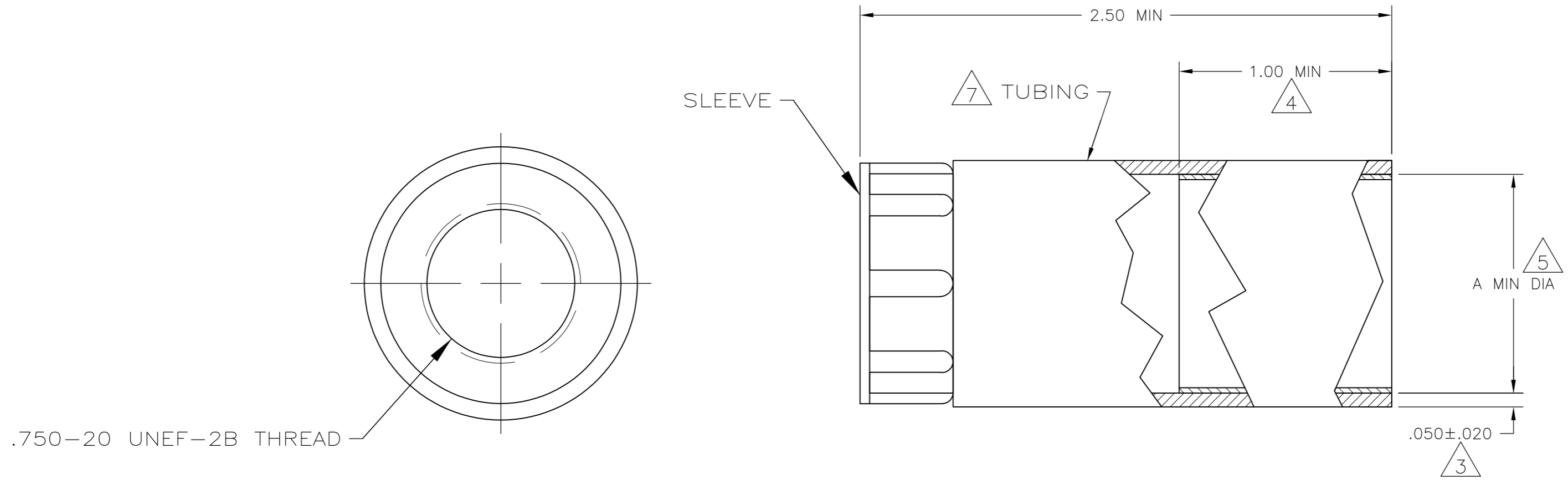


THIS DRAWING IS UNPUBLISHED. RELEASED FOR PUBLICATION
 © COPYRIGHT BY TYCO ELECTRONICS CORPORATION. ALL INTERNATIONAL RIGHTS RESERVED.

LOC	DIST	REVISIONS			
P	LTR	DESCRIPTION	DATE	DWN	APVD
FT	0	U	REVISED PER ECO-08-028385	25NOV08	HMR BC



- 1 POLYOLEFIN, BLACK.
- 2 NYLON, BLACK.
- 3 NOMINAL WALL THICKNESS, EXPANDED.
- 4 LENGTH OF SEALANT.
- 5 EXPANDED INSIDE DIAMETER.
- 6 ASSEMBLY WILL PASS 0.0703 KG PER SQ CENTIMETER [ONE POUND PER SQ IN.] WATER PRESSURE TEST.
- 7 121°C [250°F] SHRINK TEMPERATURE.
- 8 -55°C TO 110°C [-67°F TO 230°F] OPERATING TEMPERATURE.

.980	.250-.375	.195	54123-2
.775	.375-.725	.300	54123-1
A 5	CABLE DIA RANGE	MAXIMUM RECOVERED INSIDE DIAMETER	PART NUMBER
THIS DRAWING IS A CONTROLLED DOCUMENT.		DWN S.WELDON 02 SEP 99	Tyco Electronics Corporation Harrisburg, PA 17105-3608
DIMENSIONS: INCHES		CHK -	
TOLERANCES UNLESS OTHERWISE SPECIFIED:		APVD -	NAME STRAIN RELIEF ASSY, SHELL, SIZE 13, CPC
0 PLC ± -		PRODUCT SPEC -	
1 PLC ± -		APPLICATION SPEC -	SIZE A2
2 PLC ± -		WEIGHT -	CAGE CODE 00779
3 PLC ± -		CUSTOMER DRAWING	DRAWING NO C=54123
4 PLC ± -			RESTRICTED TO -
ANGLES ± -		SCALE 2:1	SHEET 1 of 1
FINISH -		REV U	