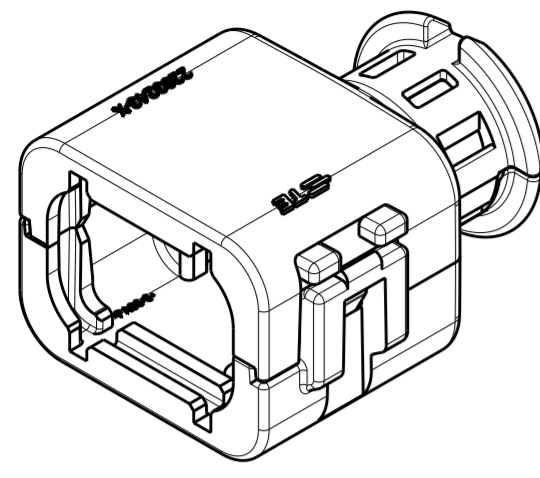
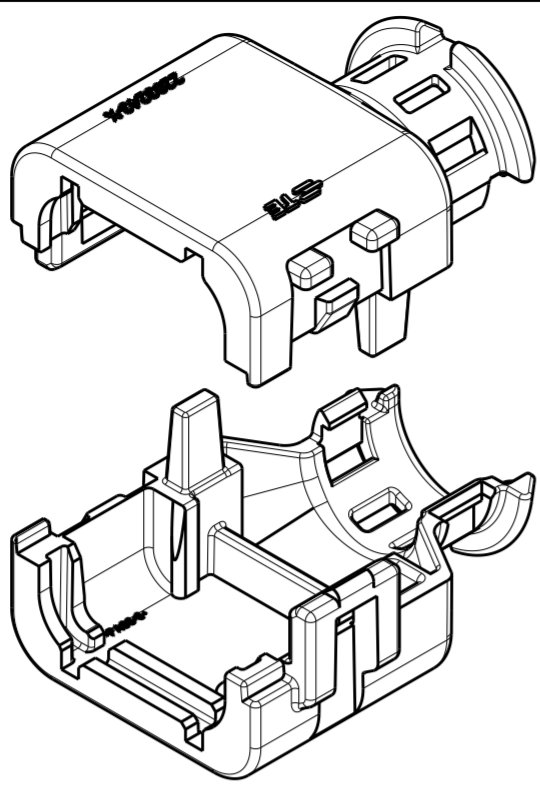


THIS DRAWING IS UNPUBLISHED. RELEASED FOR PUBLICATION 20
 © COPYRIGHT 20 BY - ALL RIGHTS RESERVED.

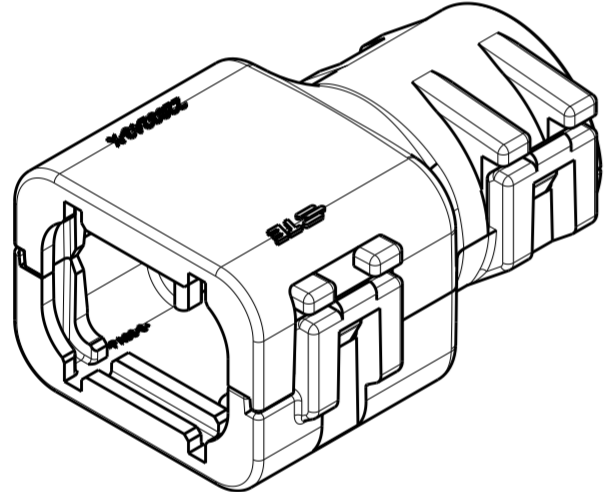
REVISIONS				
P	LTR	DESCRIPTION	DATE	APVD
	A	RELEASED PER ECO-15-010501	17JUL2015	JM RB
	A1	REV PER ECO-16-007279	12MAY2016	JM RB
	A2	REV PER ECO-16-013256	08SEP2016	JM RB



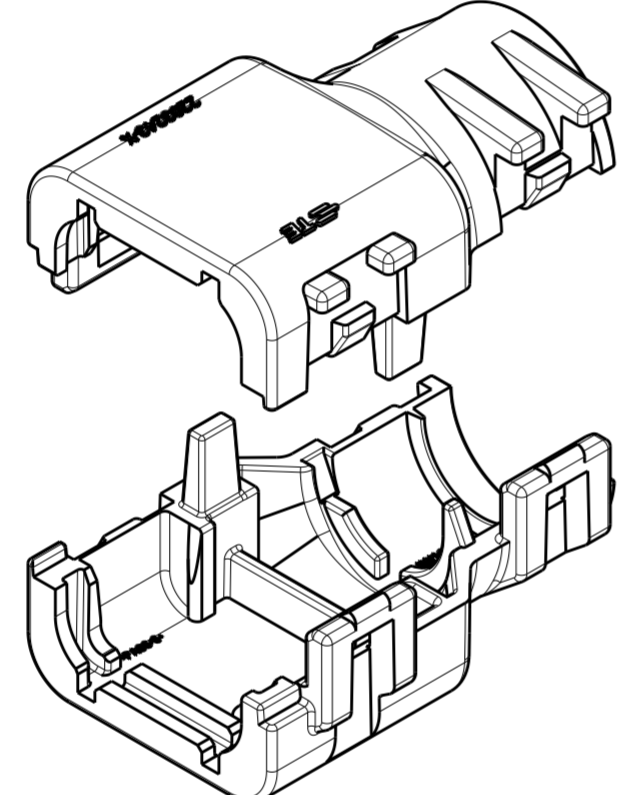
2292860-1
ASSEMBLED ISOMETRIC VIEW SHOWN



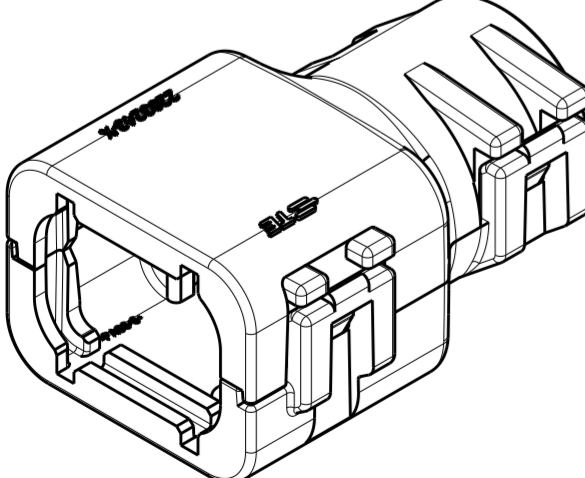
2292860-1
EXPLODED ISOMETRIC VIEW SHOWN



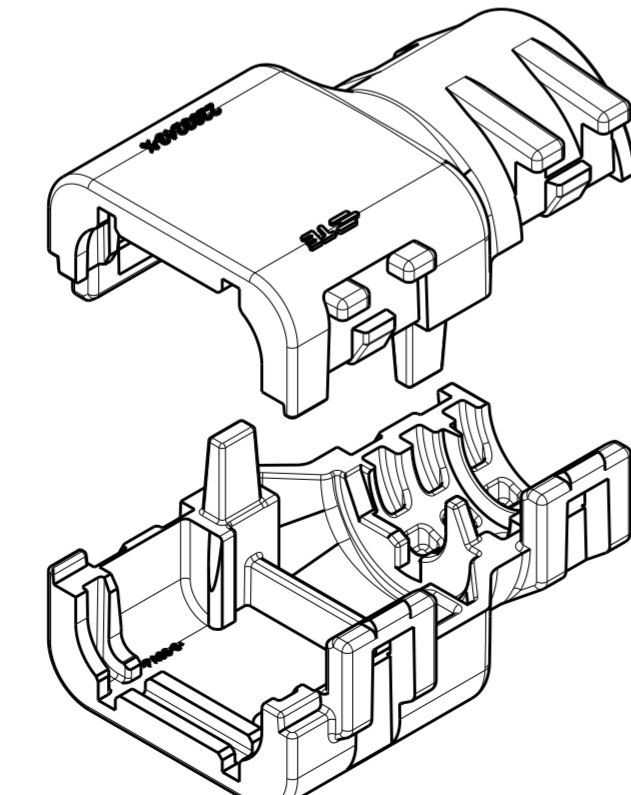
2292860-2
ASSEMBLED ISOMETRIC VIEW SHOWN



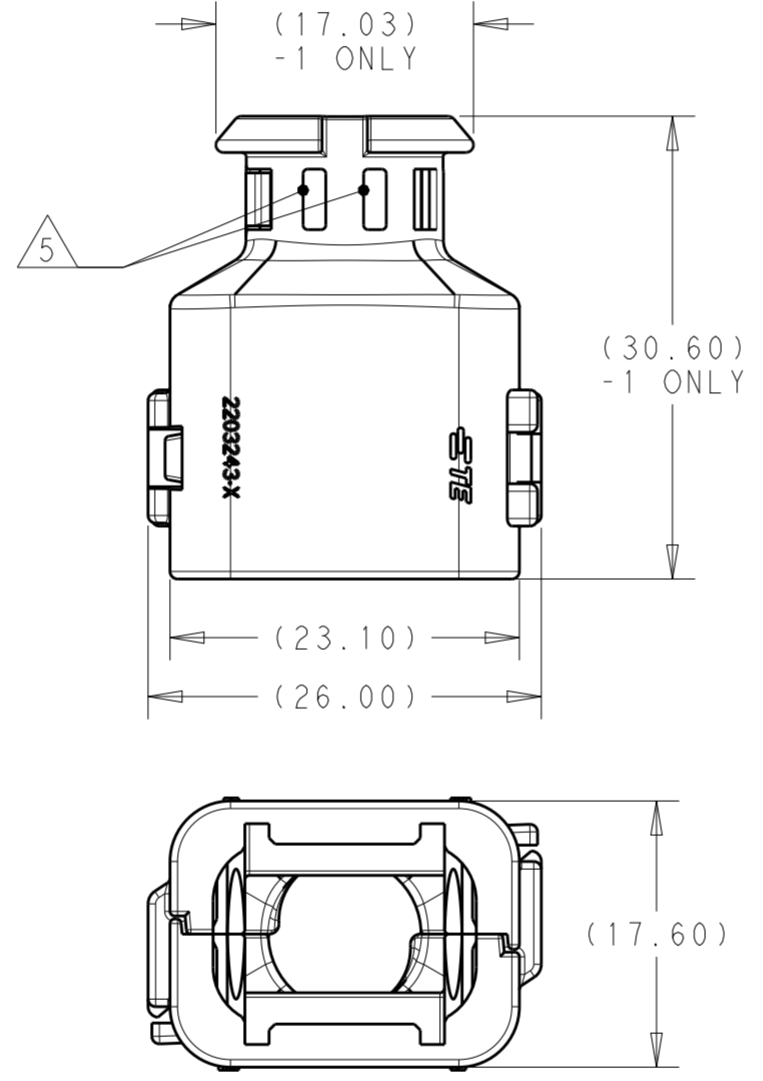
2292860-2
EXPLODED ISOMETRIC VIEW SHOWN



2292860-3
ASSEMBLED ISOMETRIC VIEW SHOWN

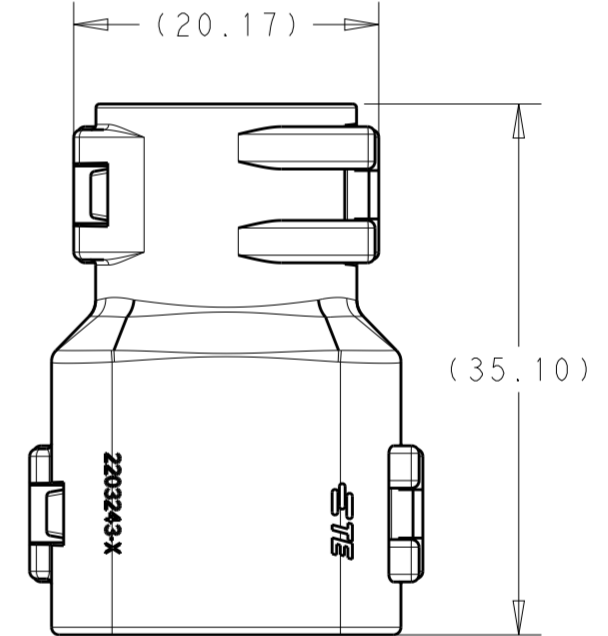
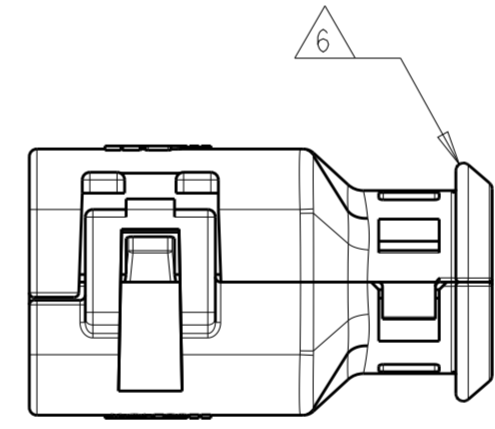


2292860-3
EXPLODED ISOMETRIC VIEW SHOWN



2292860-1
ASSEMBLED VIEW SHOWN

DIMENSIONS SHOWN TYPICAL FOR ALL PART NUMBERS ³ EXCEPT AS NOTED



2292860-2
ASSEMBLED VIEW SHOWN

DIMENSIONS SHOWN TYPICAL FOR -2 AND -3 ONLY ³

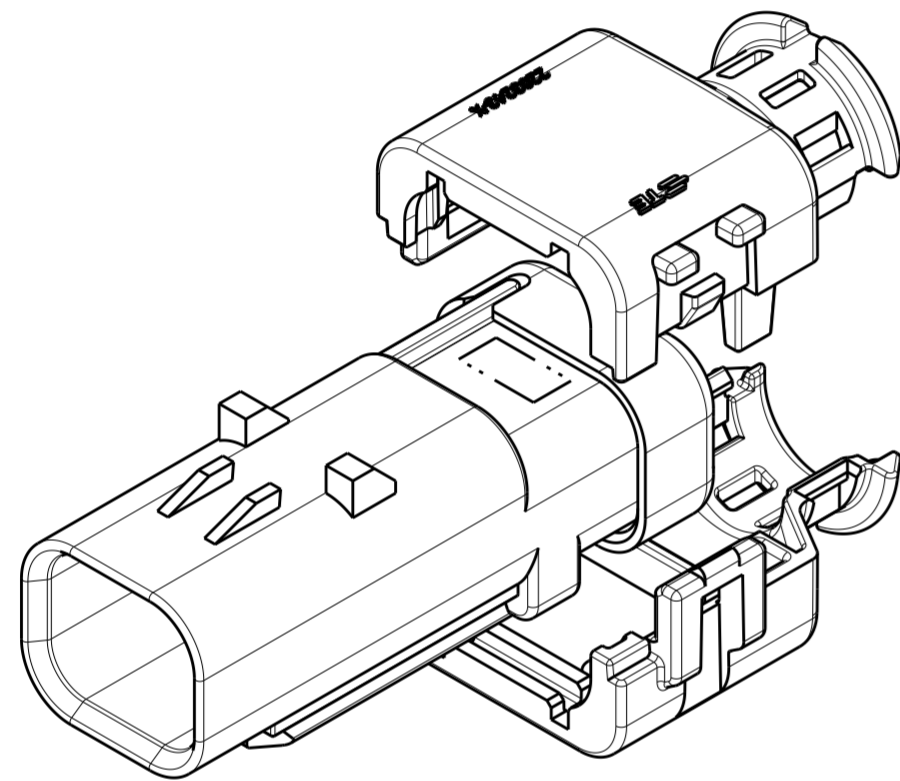
- ¹ MATERIAL: NYLON MOLDING COMPOUND, BLACK, PA66/6.
- ² BACKSHELL DESIGNED SUCH THAT TWO HALVES ATTACH TO ONE ANOTHER AND CLAMP AROUND THE CONNECTOR COVER.
- ³ DIMENSIONS TO BE MEASURED WHEN BACKSHELLS ASSEMBLED.
- ⁴ PRODUCT WEIGHTS:
 2292860-1: 3.90g ASSEMBLED
 2292860-2: 5.10g ASSEMBLED
 2292860-3: 5.65g ASSEMBLED
- ⁵ 4mm WIDE SLOTS FOR TIE WRAP TO SECURE HARNESS WIRES (-1 ONLY).
- ⁶ HEAT SHRINK TUBING RETENTION FEATURE (-1 ONLY).
- 7. INSTRUCTION SHEET: 408-151043.
- 8. CONDUIT PROFILE: NORMAL ONLY

776428-X 776534-X	NC08	NW7.5	2292860-3
	NC12	NW10	2292860-2
	SMOOTH	SMOOTH	2292860-1
FITS ON CAP ASSY	CORRUGATE NC	CORRUGATE NW	PART NUMBER
CONDUIT SIZE			

THIS DRAWING IS A CONTROLLED DOCUMENT.		DWN J MCNEAL 19MAY2015	STE TE Connectivity	
DIMENSIONS: mm		CHK R BALTER 19MAY2015		
TOLERANCES UNLESS OTHERWISE SPECIFIED:		APVD R BALTER 19MAY2015	NAME CAP ASSEMBLY, BACKSHELL KIT, 2 POSITION, AMPSEAL 16	
0 PLC ±		PRODUCT SPEC 108-151043	SIZE CAGE CODE DRAWING NO	
1 PLC ±		APPLICATION SPEC	A200779 C-2292860	
2 PLC ±		WEIGHT ⁴	RESTRICTED TO	
3 PLC ±		CUSTOMER DRAWING	SCALE 2:1 SHEET 1 OF 2 REV A2	
4 PLC ±				
ANGLES ±				
FINISH				

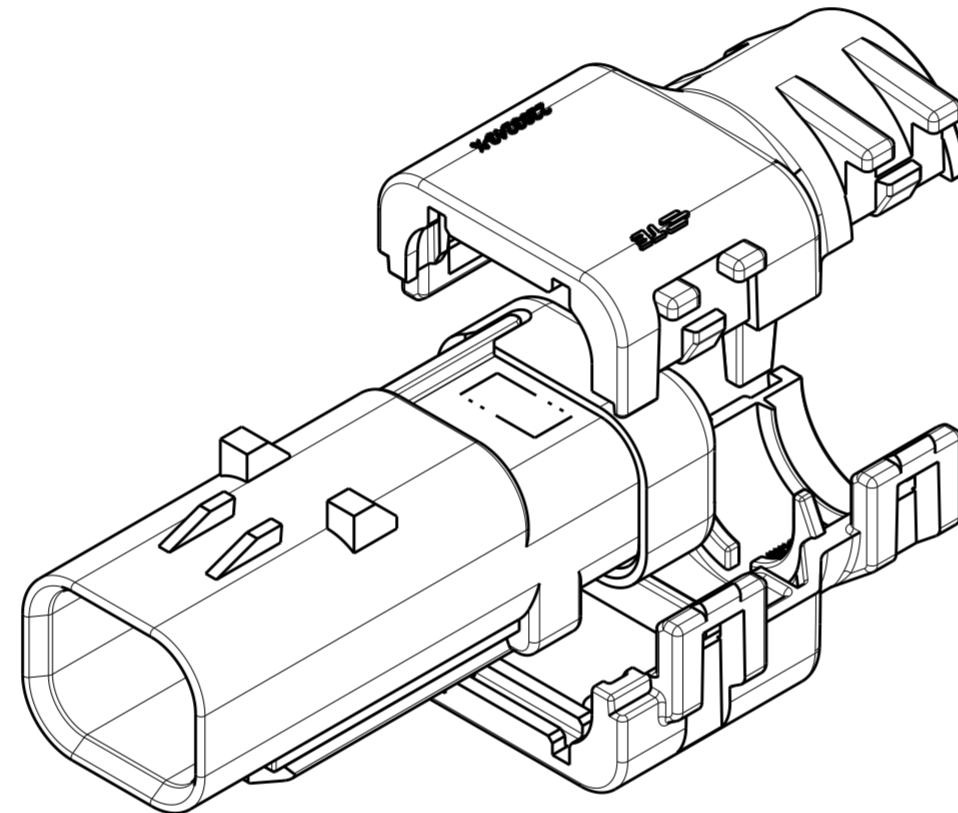
THIS DRAWING IS UNPUBLISHED. RELEASED FOR PUBLICATION 20
 © COPYRIGHT 20 BY - ALL RIGHTS RESERVED.

REVISIONS				
P	LTR	DESCRIPTION	DATE	APVD
-		SEE SHEET 1	-	-



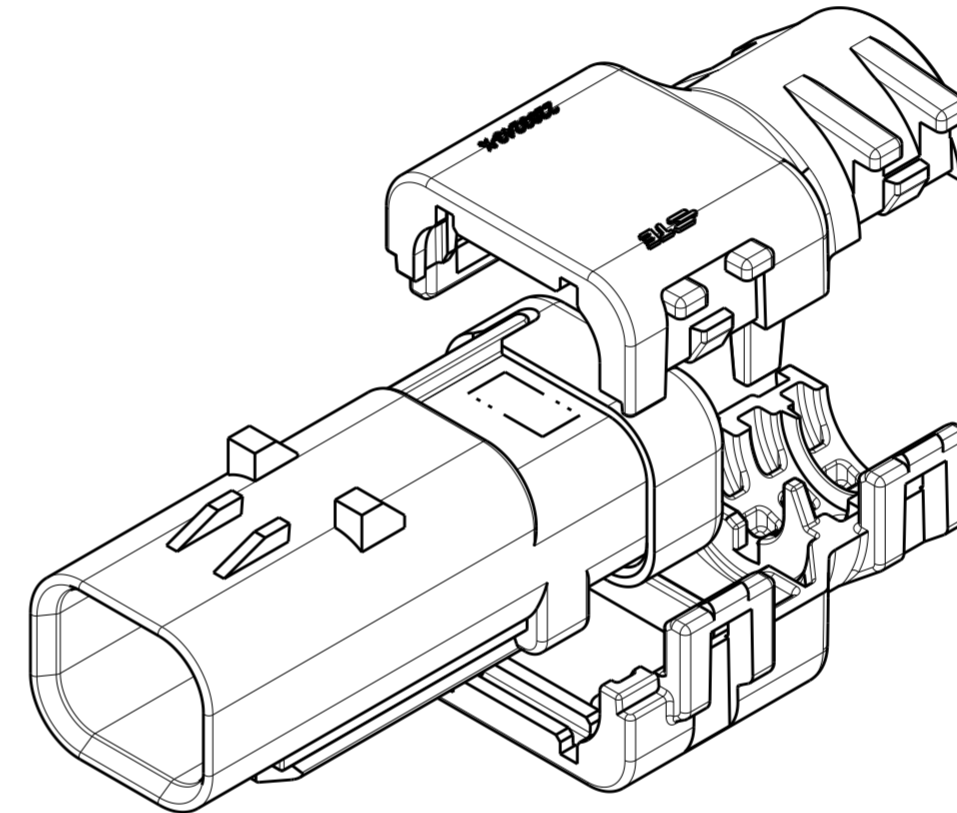
2292860-1

WITH CAP ASSEMBLY ²
 EXPLODED ISOMETRIC VIEW SHOWN



2292860-2

WITH CAP ASSEMBLY ²
 EXPLODED ISOMETRIC VIEW SHOWN



2292860-3

WITH CAP ASSEMBLY ²
 EXPLODED ISOMETRIC VIEW SHOWN

THIS DRAWING IS A CONTROLLED DOCUMENT.		DWN J. MCNEAL 19MAY2015	STE TE Connectivity	
		CHK R. BALTER 19MAY2015		
		APVD R. BALTER 19MAY2015	NAME CAP ASSEMBLY, BACKSHELL KIT, 2 POSITION, AMPSEAL 16	
DIMENSIONS: mm		PRODUCT SPEC 108-151043	SIZE A2	CAGE CODE 00779
TOLERANCES UNLESS OTHERWISE SPECIFIED: 0 PLC ± 1 PLC ± 2 PLC ± 3 PLC ± 4 PLC ± ANGLES ± FINISH		APPLICATION SPEC -	DRAWING NO C-2292860	RESTRICTED TO -
MATERIAL -		WEIGHT	SCALE 2:1 SHEET 2 OF 2 REV A2	
		CUSTOMER DRAWING		