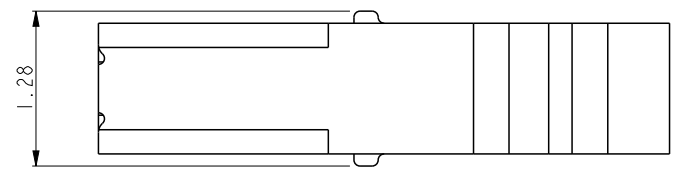
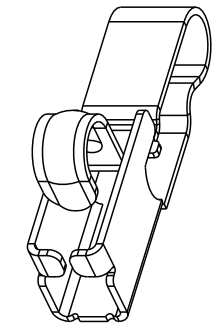
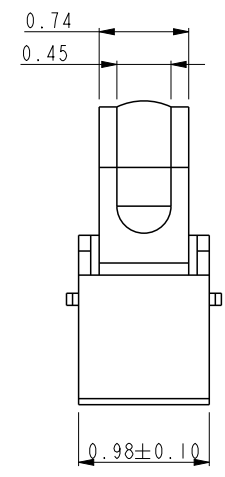
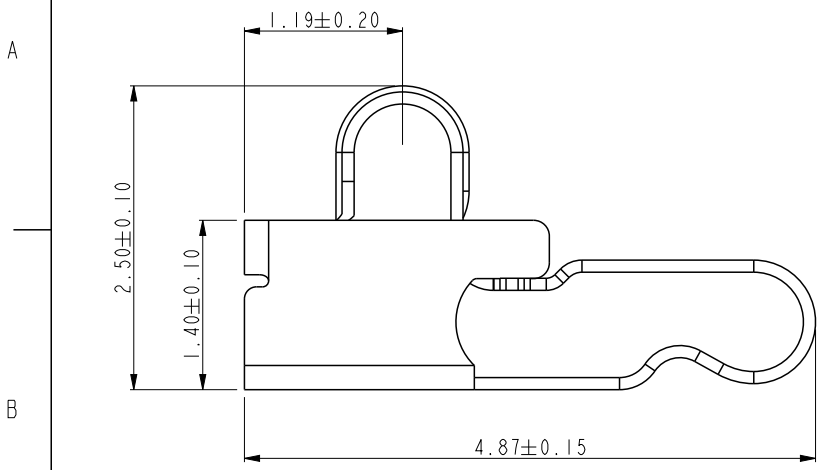


	DESCRIPTION
FCI	10118530-001RLF
	10118530-003RLF
	10118530-009RLF



NOTES:  
 1. MATERIAL: COPPER ALLOY.  
 2. CONTACT PLATING:  
 CONTACT AREA: PLATING Au or GXT over Ni UNDERPLATE.  
 (GXT = Gold flash + PdNi)  
 SOLDER AREA: PLATING Gold flash over Ni UNDERPLATE.  
 3. PACKAGING: TAPE & REEL  
 4. PART NUMBER DESCRIPTION:  
 10118530-0 0 X X X

LF: LEAD FREE  
 R : TAPE & REEL  
 CONTACT PLATING  
 1 : lum Au over Ni.  
 3 : gold flash over Ni.  
 9 : lum GXT over Ni.

rev	ecn no	dr	date
A	INITIAL RELEASE	AL	2012-08-23
-	-	-	-
-	-	-	-
-	-	-	-
-	-	-	-



Copyright FCI.

spec ref *		dr	Andy Lu	2012/08/23	projection 	mm 	size	A4	scale	16.000
tolerance std		eng	Andy Lu	2012/08/23			ecn no	-		
ASME Y14.5		chr	-	-			rel level	Released		
surface ✓	linear	0.X	±0.3	 <a href="http://www.fci.com">www.fci.com</a>	title	ANTENNA CONNECTOR	dwg no	10118530	rev	A
		0.XX	±0.15							
		0.XXX	±0.050							
ASME Y14.5	angular	0°	±2°	cat. no.	10076429	Product - Customer Drw	sheet 1 of 1			

ProjE File - REV C - 2009-06-09