

PART NAME

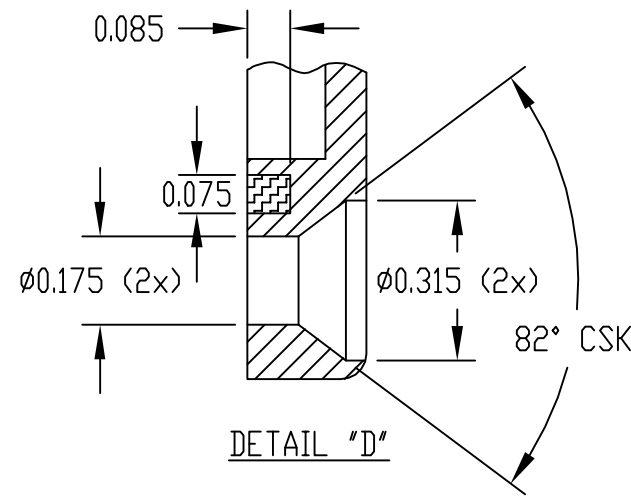
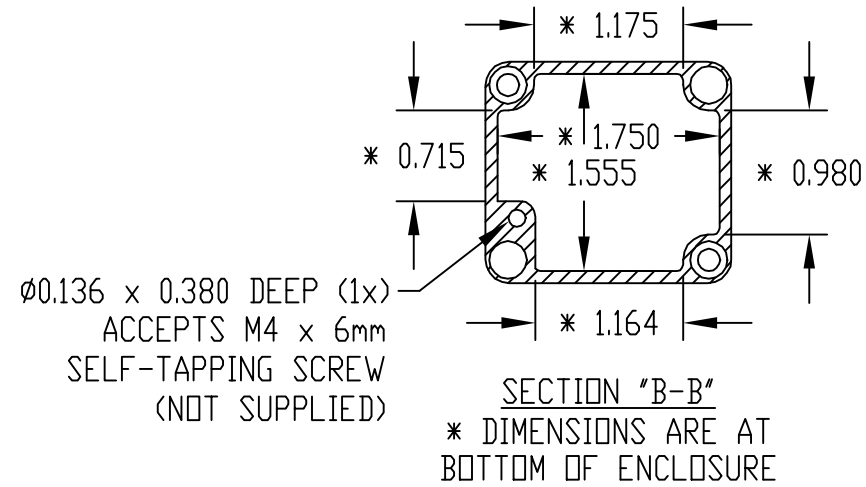
NEMA 4X DIE CAST ALUMINUM ENCLOSURE

PART No.

AN-1311, AN-1311-G, AN-2811 & AN-2811-B

REV. DATE

12-17-08

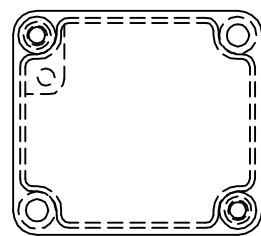
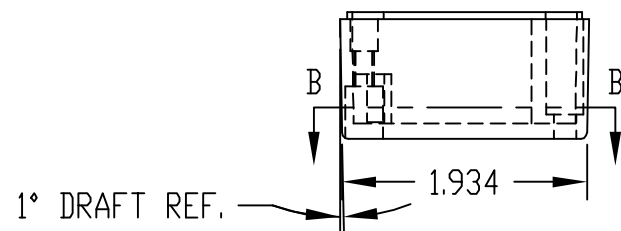
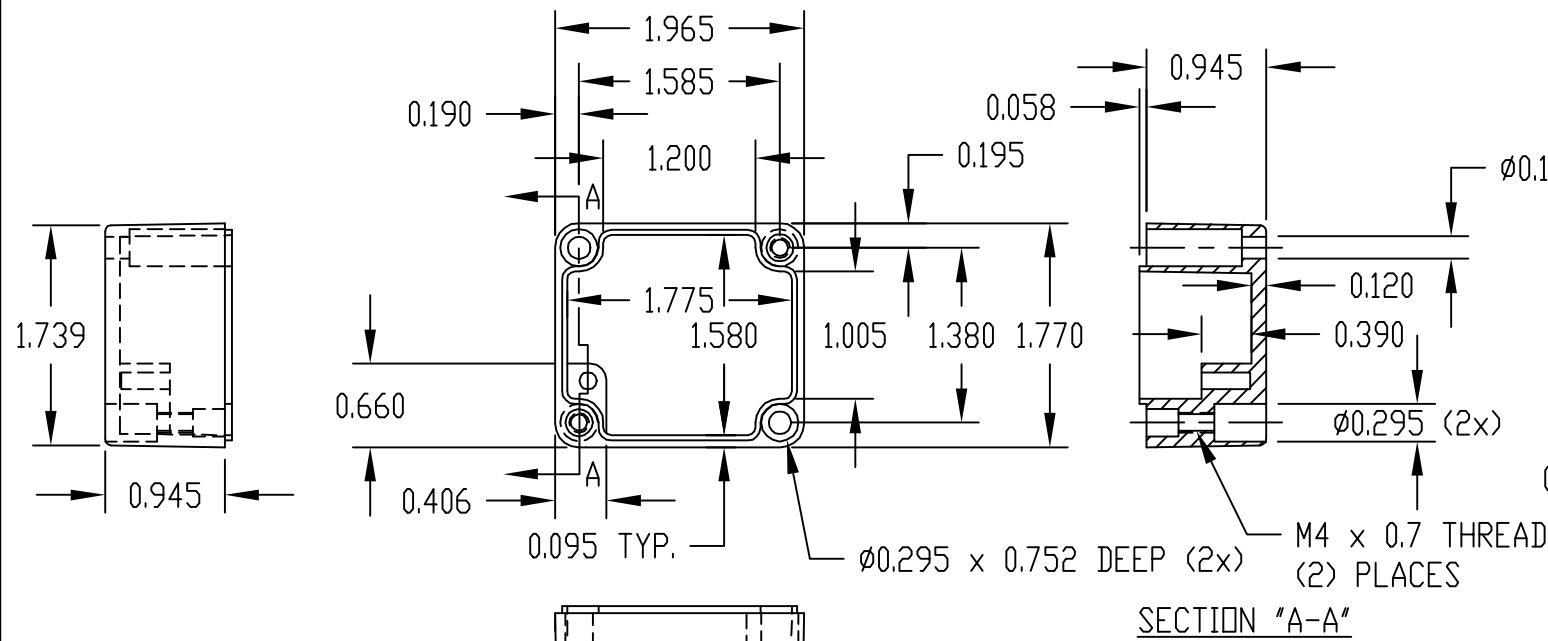


MATERIAL: ALUMINUM ALLOY #ADC-12

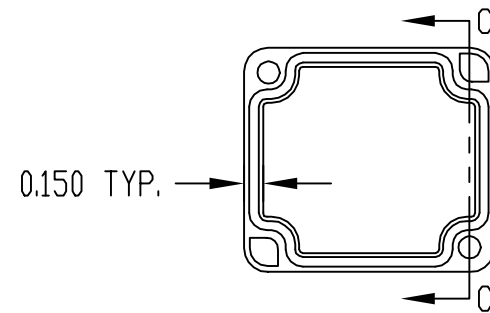
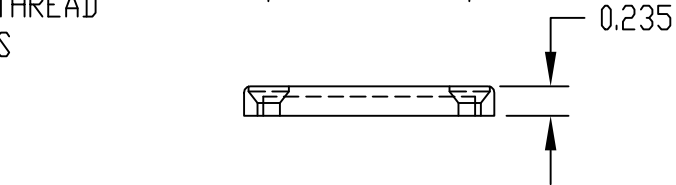
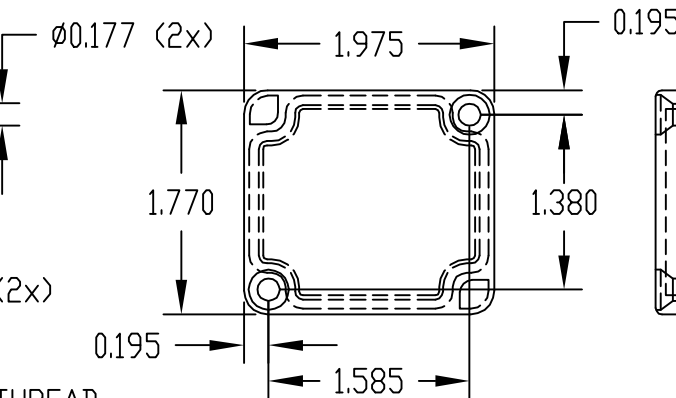
FINISH: NATURAL (NO SUFFIX)  
GRAY (SUFFIX -G)  
SMOOTH BLACK (SUFFIX -B)

NOTES:

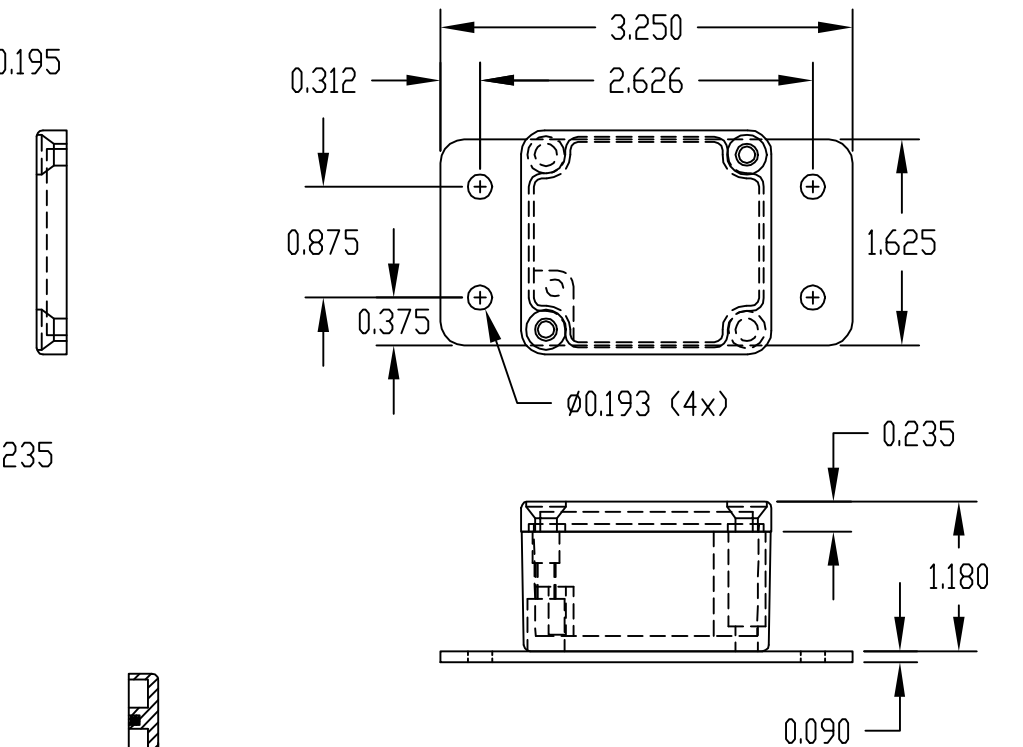
- 1) TWO (2) M4 x 20mm (0.787") LG. SCREWS SUPPLIED FOR ASSEMBLY OF COVER TO BODY.
- 2) ALL HOLE DIAMETERS HAVE ±0.005 TOLERANCE  
ALL OTHER DIMENSIONS HAVE ±0.015 TOLERANCE



BODY



COVER



PART NO. AN-2811 & AN-2811-B  
ARE SUPPLIED WITH A WELDED  
ON MOUNTING BRACKET ONLY.