

THIS DRAWING IS UNPUBLISHED.

RELEASED FOR PUBLICATION

2008

© COPYRIGHT 2008

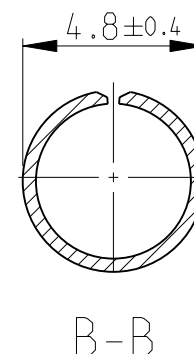
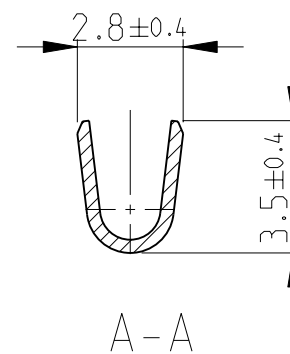
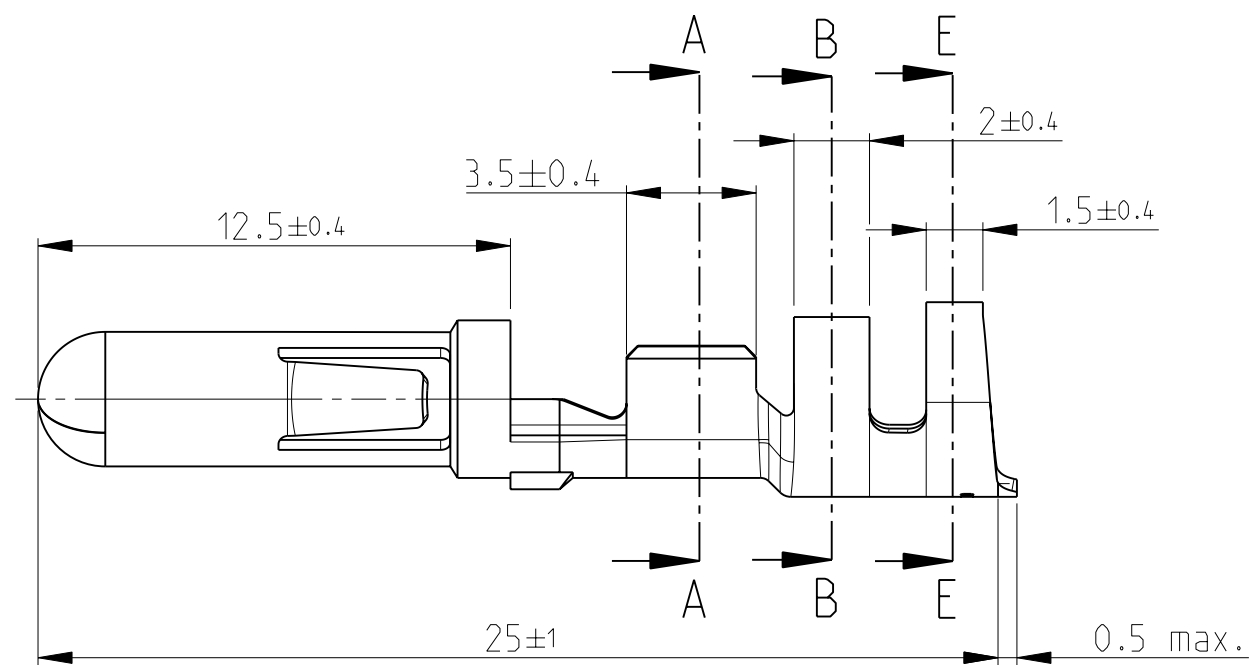
ALL RIGHTS RESERVED.

LOC AL

DIST 2

REVISIONS

P	LTR	DESCRIPTION	DATE	DWN	APVD
	Y	New drawing released	12NOV2008	J.S	P.E.G
	Y1	REVISED PER ECO-09-026495	17DEC2009	KK	AEG
	Y2	ECR-10-026537	15JUN2011	KK	HMR

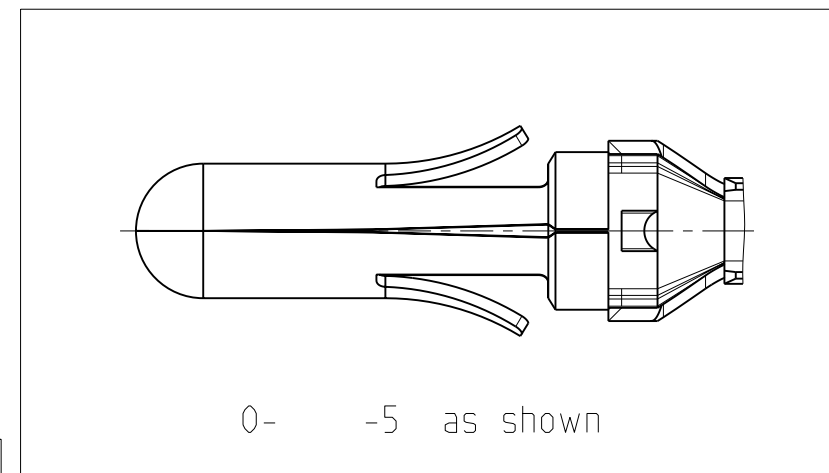
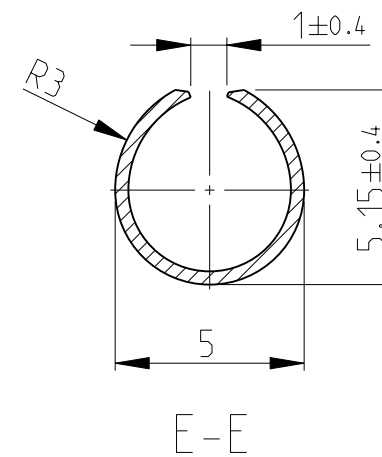
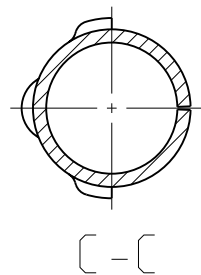
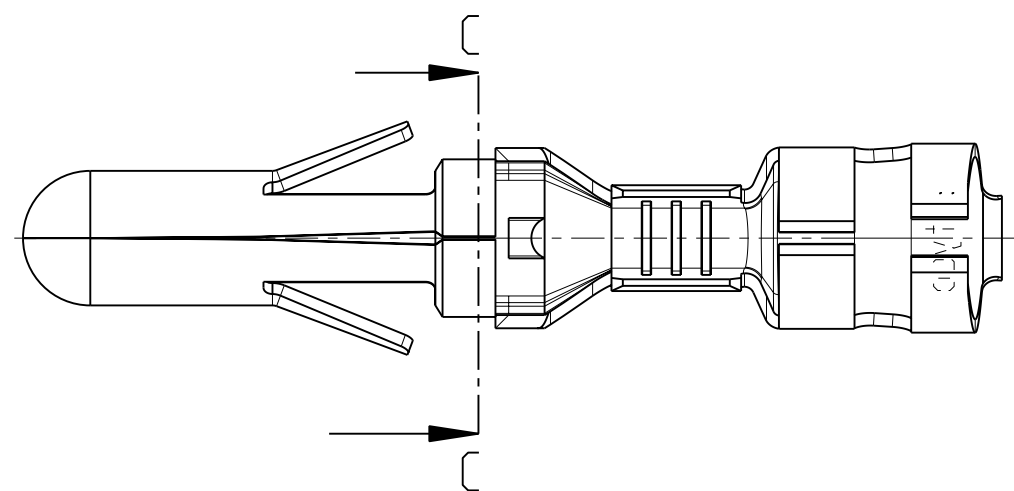


1 OBSOLETE PARTS: OBSOLETE CIS STREAMLINING PER D.RENAUD/D.SINISI

Terminal Conductor: FLK-Cable
 Conductor: F-Crimp
 Insulation: F-Crimp

Cross-section in mm²

	Single connection	0.50	0.75	1.00	1.50	2.00	2.50	3.00	4.00	6.00
0.50	X	X	X	X	X					
0.75	X	X	X	X						
1.00	X	X	X	X						
1.50	X	X								
2.00										
2.50										
3.00										
4.00										
6.00										

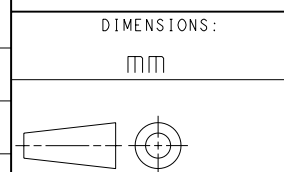


0- -1,2,3,4,6,7 as shown

Wire size: 0.5-2.0 mm²

1	OBSOLETE	Bright	Brass	925660-7
		Gold over Ni	Phosphor Bronze	925660-6
OBSOLETE	Pre-tin plated	Steel	925660-5	
	Bright	Phosphor Bronze	925660-4	
	Silver	Phosphor Bronze	925660-3	
	Pre-tin plated	Phosphor Bronze	925660-2	
	Pre-tin plated	Brass	925660-1	
	Finish	Material	Part no.	

THIS DRAWING IS A CONTROLLED DOCUMENT.



DIMENSIONS: mm

TOLERANCES UNLESS OTHERWISE SPECIFIED:	
0 PLC	±0.2
1 PLC	±0.2
2 PLC	±0.2
3 PLC	±
4 PLC	±
ANGLES	±1° 30'
FINISH	See table

DWN	J. Salo	12NOV2008
CHK	R. Sole	12NOV2008
APVD	P.F. Grassano	12NOV2008
PRODUCT SPEC	108-1032	
APPLICATION SPEC	114-1007	
WEIGHT	-	

STE TE Connectivity

NAME			
.140 DIA PIN			
SIZE	CAGE CODE	DRAWING NO	RESTRICTED TO
A3	-	925660	-

CUSTOMER DRAWING SCALE 2:1 SHEET 1 OF 1 REV Y2