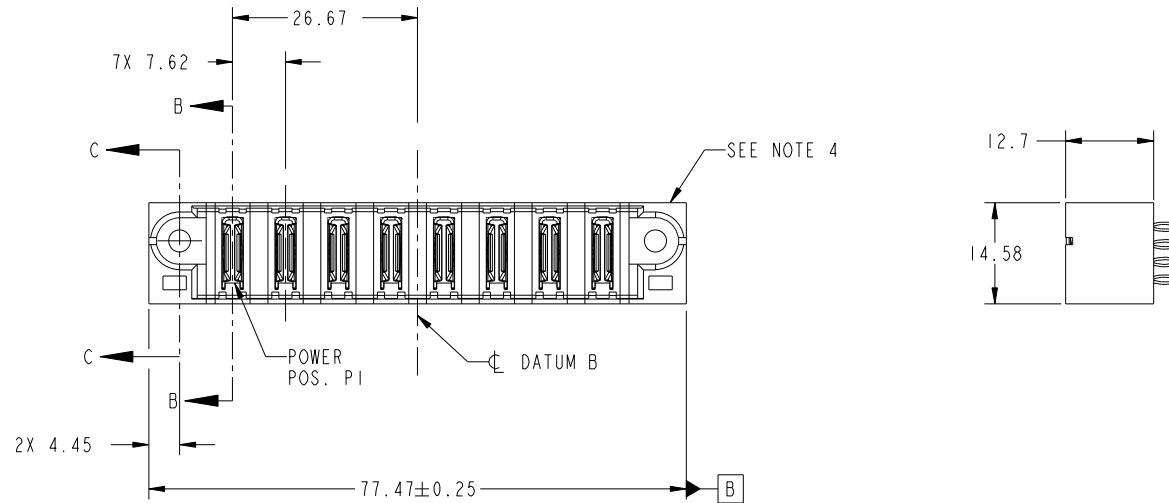


Tous droits strictement reserves. Reproduction ou communication a des tiers interdite sous quelque forme que ce soit sans autorisation écrite du propriétaire. Propriete de c FCI. Droits de reproduction FCI.



All rights strictly reserved. Reproduction or issue to third parties in any form whatever is not permitted without written authority from the proprietor. Property of FCI. Copyright FCI.

PRODUCT NO.	POWER									
	E1	P1	P2	P3	P4	P5	P6	P7	P8	E2
51952-162-- NOTE ③		PC	PC	PC	PC	PC	PC	PC	PC	



CODE	DIM "M" MATING LENGTH	CONTACT TYPE
PC	[N/A]	POWER

mat'l code				tolerances unless otherwise specified				CUSTOMER			
ltr	ecn no.	dr	date	linear	0.X ± 0.5			COPY		www.fciconnect.com	
A	DG11-0040	XQ	02/17/11	angles	0.XX ± 0.25			projection		title	
					0.XXX ± 0.1					8ACP VERTICAL PF HEADER	
				dr	XQ Wong	02/17/11		MIM		product family	PwrBlade
				enr	Anson Liu	02/17/11				size	213
				chr	PM ZHENG	02/17/11		scale		dwg no	sheet
				appd	JOSEPH HSIA	02/17/11		1:1		A	1 of 4
sheet index	revision sheet	A	A	A	A					code	
		1	2	3	4					213	

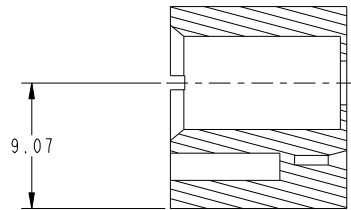
cage code 22526

Tous droits strictement reserves. Reproduction ou communication a des tiers interdite sous quelque forme que ce soit sans autorisation écrite du propriétaire. Propriete de c FCI. Droits de reproduction FCI.

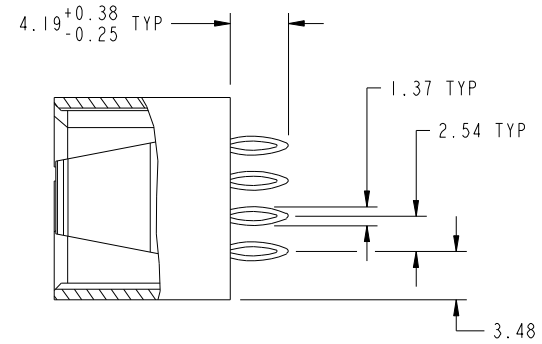
All rights strictly reserved. Reproduction or issue to third parties in any form whatever is not permitted without written authority from the proprietor. Property of FCI. Copyright FCI.



PRODUCT NUMBER  
51952-162--  
NOTE 3



SECTION C-C  
SCALE 2:1



SECTION B-B  
SCALE 2:1

mat'l code				tolerances unless otherwise specified			CUSTOMER		FCI		www.fciconnect.com	
ltr	ecn no.	dr	date	linear	0.X ± 0.5		COPY		projection	title		
A					0.XX ± 0.25		MIM			8ACP		
					0.XXX ± 0.1		← MIM →			VERTICAL PF HEADER		
				angles	0° ± 2°		scale		product family		code	
				dr	X0 Wang	02/17/11	1:1		PwrBlade		213	
				enr	Anson Liu	02/17/11			size	dwg no	sheet	
				chr	PM ZHENG	02/17/11			A	51952-162	2 of 4	
				appd	JOSEPH HSIA	02/17/11						
sheet index		revision sheet										

cage code 22526

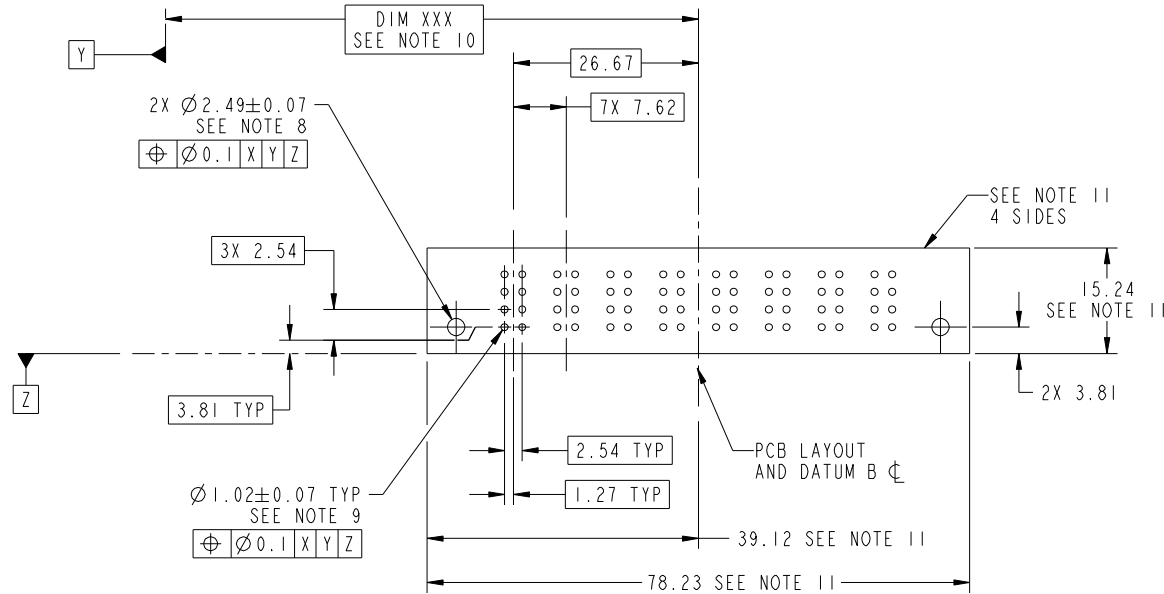
Pro/E

Tous droits strictement reserves. Reproduction ou communication a des tiers interdite sous quelque forme que ce soit sans autorisation écrite du propriétaire. Propriete de c FCI. Droits de reproduction FCI.



All rights strictly reserved. Reproduction or issue to third parties in any form whatever is not permitted without written authority from the proprietor. Property of FCI. Copyright FCI.

PRODUCT NUMBER  
51952-162--  
NOTE 3



PCB RECOMMENDED LAYOUT

mat'l code				tolerances unless otherwise specified		CUSTOMER		FCI	
ltr	ecn no.	dr	date	linear	0.X ±0.5	COPY		www.fciconnect.com	
A					0.XX ±0.25	projection		title	
				angles	0.XXX ±0.1			8ACP VERTICAL PF HEADER	
				dr	0° ±2°			product family PwrBlade code	
				enrg	X0 Wang 02/17/11	scale		size	
				chr	Anson Liu 02/17/11	1:1		dwg no	
				appd	PM ZHENG 02/17/11	A		51952-162	
					JOSEPH HSIA 02/17/11			sheet	
sheet index	revision sheet							3 of 4	

cage code 22526

Pro/E

Tous droits strictement reserves. Reproduction ou communication a des tiers interdite sous quelque forme que ce soit sans autorisation écrite du propriétaire. Propriete de c FCI. Droits de reproduction FCI.



All rights strictly reserved. Reproduction or issue to third parties in any form whatever is not permitted without written authority from the proprietor. Property of FCI. Copyright FCI.

PRODUCT NUMBER  
51952-162--  
NOTE 3

NOTES:

1. DIMENSIONS AND TOLERANCES ARE IN ACCORDANCE WITH ASME Y14.5M, 1994 UNLESS OTHERWISE SPECIFIED.

CONNECTOR NOTES:

- 2 HOUSING MATERIAL: UL 94 V-0 GLASS FILLED HIGH-TEMP THERMOPLASTIC  
POWER CONTACT MATERIAL: COPPER ALLOY  
SIGNAL PIN MATERIAL: COPPER ALLOY
- 3. PLATING:  
SEE ITEM 3 & 4 IN PRINT 10064183 FOR PLATING SPEC OF 51952-162; 51952-162LF PRESPECTIVELY

4 MANUFACTURER'S NAME, DATE CODE AND OPTIONAL P/N TO APPEAR ON THIS SURFACE. THE P/N CAN BE OMITTED IF THERE IS NOT ENOUGH SPACE ON THIS SURFACE.

5. PRODUCT SPECIFICATION GS-12-149.  
APPLICATION SPECIFICATION BUS-20-067.

6. PACKAGED IN TRAYS.

PCB NOTES:

- 7. ALL HOLE DIAMETERS ARE FINISHED HOLE SIZE.
- 8. MOUNTING HOLES, WHERE APPLICABLE, ARE UNPLATED.

9  $\varnothing 1.151 \pm 0.025$  DRILLED HOLES PLATED WITH  
0.008 MIN SnPb OR Sn OVER .001 [0.03]  
TO 0.08 Cu PLATING TO ACHIEVE  
 $\varnothing 1.02 \pm 0.07$  HOLE.

10 "DIM XXX" TO BE DETERMINED BY THE CUSTOMER.

11 CONNECTOR KEEP-OUT ZONE.

12. FOR PRESS FIT APPLICATION USE FCI CAM TOOL 430169-XXX.

mat'l code				tolerances unless otherwise specified		CUSTOMER		FCI	
ltr	ecn no.	dr	date	linear	0.X ± 0.5	COPY		www.fciconnect.com	
A					0.XX ± 0.25	projection		title	
				angles	0.XXX ± 0.1			8ACP VERTICAL PF HEADER	
				dr	0° ± 2°	MIM		product family PwrBlade code	
				enr	X0 Wong 02/17/11			size 213	
				chr	Anson Liu 02/17/11	scale		dwg no 51952-162 sheet	
				appd	PM ZHENG 02/17/11	1:1		4 of 4	
					JOSEPH HSIA 02/17/11				
sheet index		revision sheet							

cage code 22526

Pro/E