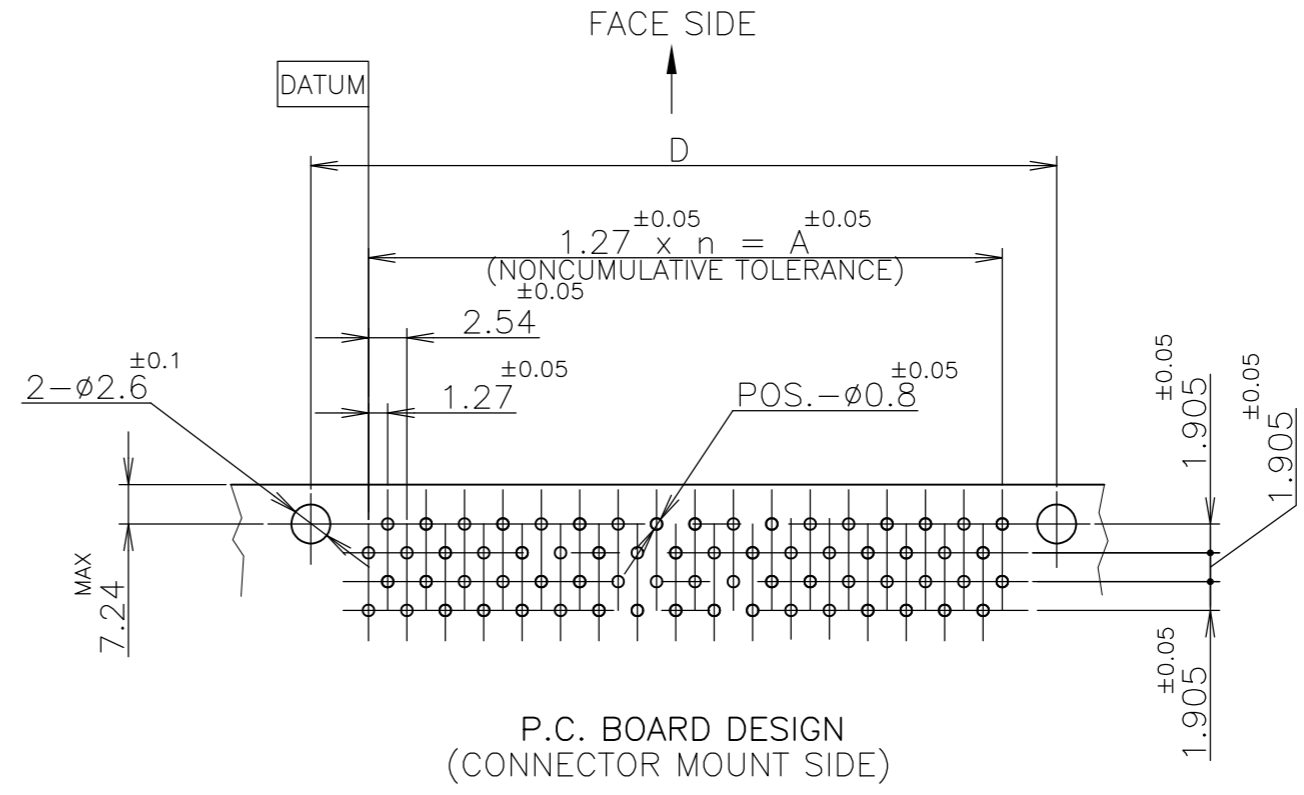
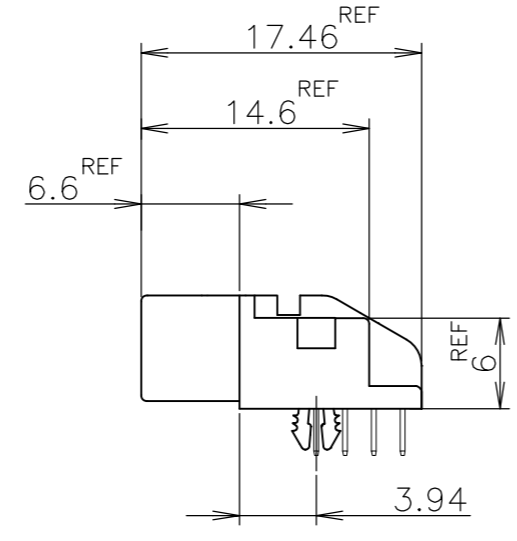
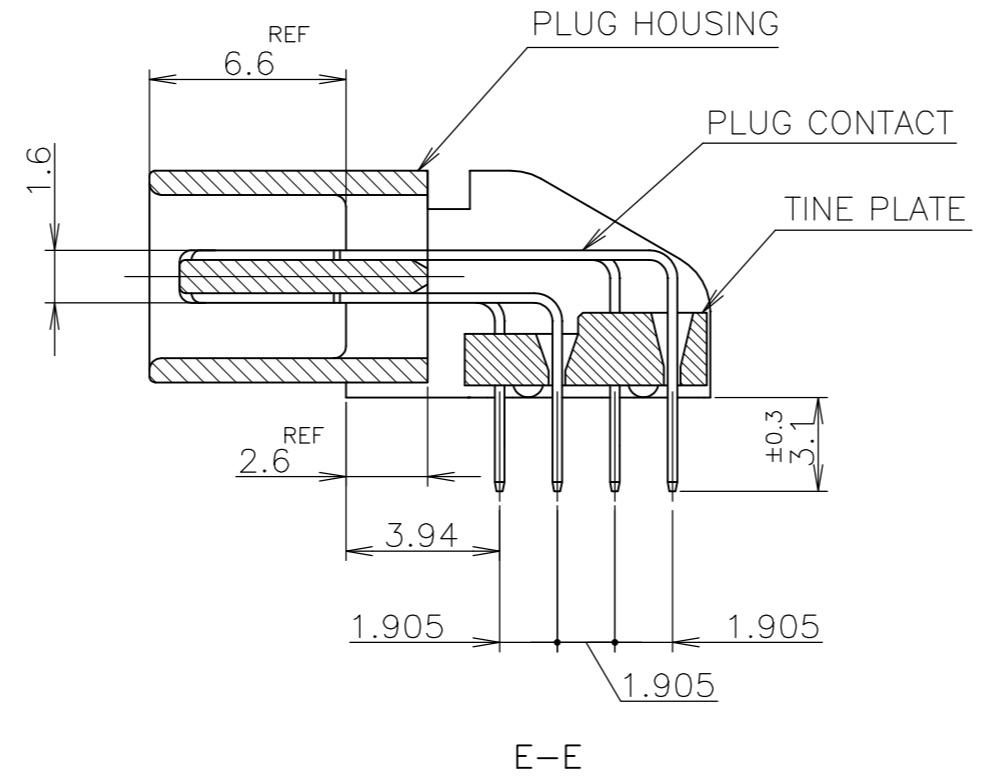
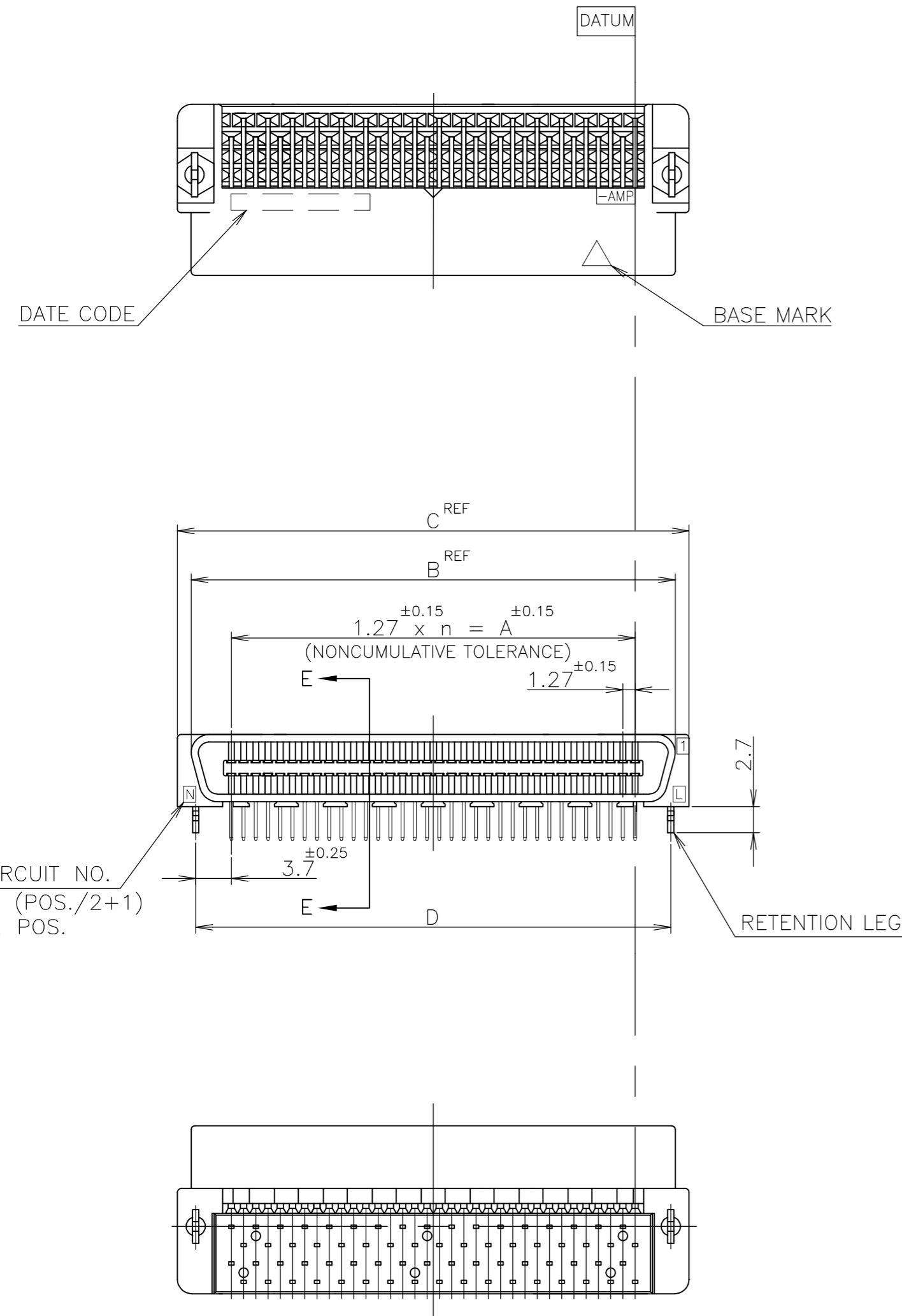


THIS DRAWING IS UNPUBLISHED. RELEASED FOR PUBLICATION AUG, 1993.  
 © COPYRIGHT 1993 By - ALL RIGHTS RESERVED.

LOC		DIST		REVISIONS			
ES	00	P	LTR	DESCRIPTION	DATE	DWN	APVD
		A		RELEASE PER ECO-12-012349	28MAR13	BL	AC



- 1 NUMBER "n" IS COUNTED FROM DATUM (CIRCUIT NO.1 IS "AMP" MARK SIDE.)
- △ MATERIAL: HOUSING, 66 NYLON (GF) UL 94V-0, BLACK.  
: CONTACT, PHOSPHOR BRONZE.  
: RETENTION LEG; BRASS.
- △ FINISH: CONTACT; Au AT CONTACT AREA (SEE TABLE),  
TIN AT TINE, OVER Ni.  
RETENTION LEG; TIN UNDER Ni.
- 4 SIF-200 ALL OVER.

LEAD FREE

GENERAL TOLERANCE

10 ≥ : ±0.2
30 ≥ > 10: ±0.25
100 ≥ > 30: ±0.3
ANGLES: ±3°

4-	-1		120	59	74.93	83.27	86.13	82.33
3-	-9		80	39	49.53	57.87	60.73	56.93
3-5179275-8		0.0005	68	33	41.91	50.25	53.11	49.31
PART NO.	Au PLATE	POS.	n	A	B	C	D	

THIS DRAWING IS A CONTROLLED DOCUMENT.

DWN	10AUG2004	Julyee Zhu
CHK	10AUG2004	Steven Yao
APVD	10AUG2004	Ikuo Enomoto
PRODUCT SPEC		製品規格
APPLICATION SPEC		取付適用規格
WEIGHT		
CUSTOMER DRAWING		

TE Connectivity

AMP CHAMP .050 CONNECTOR (B-T-B)  
PLUG CONNECTOR  
(HORIZONTAL WITH RETENTION LEG)

SIZE	CAGE CODE	DRAWING NO	RESTRICTED TO
A2	00779	C=5179275	

SCALE: 尺度 NTS SHEET: 1 of 1 REV: A