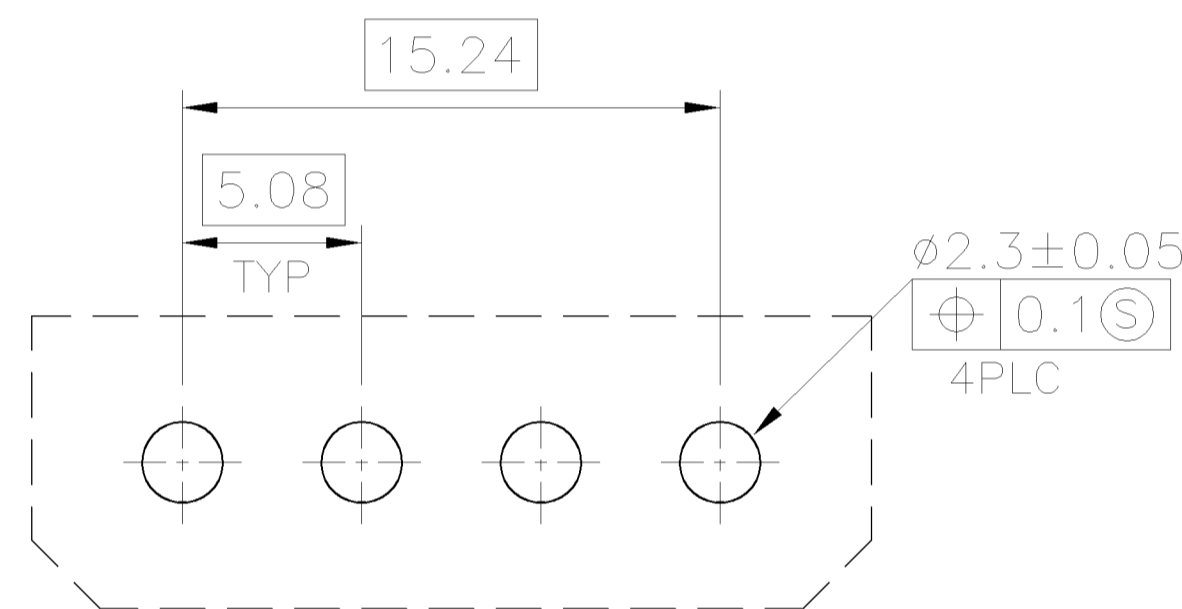
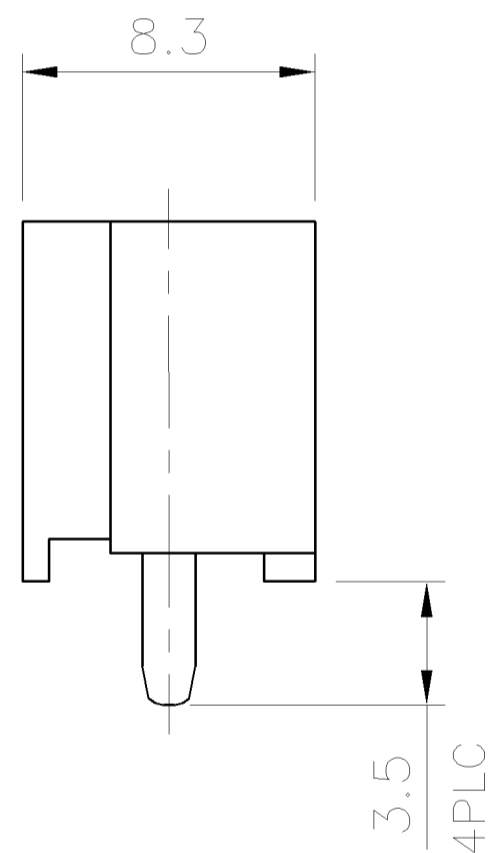
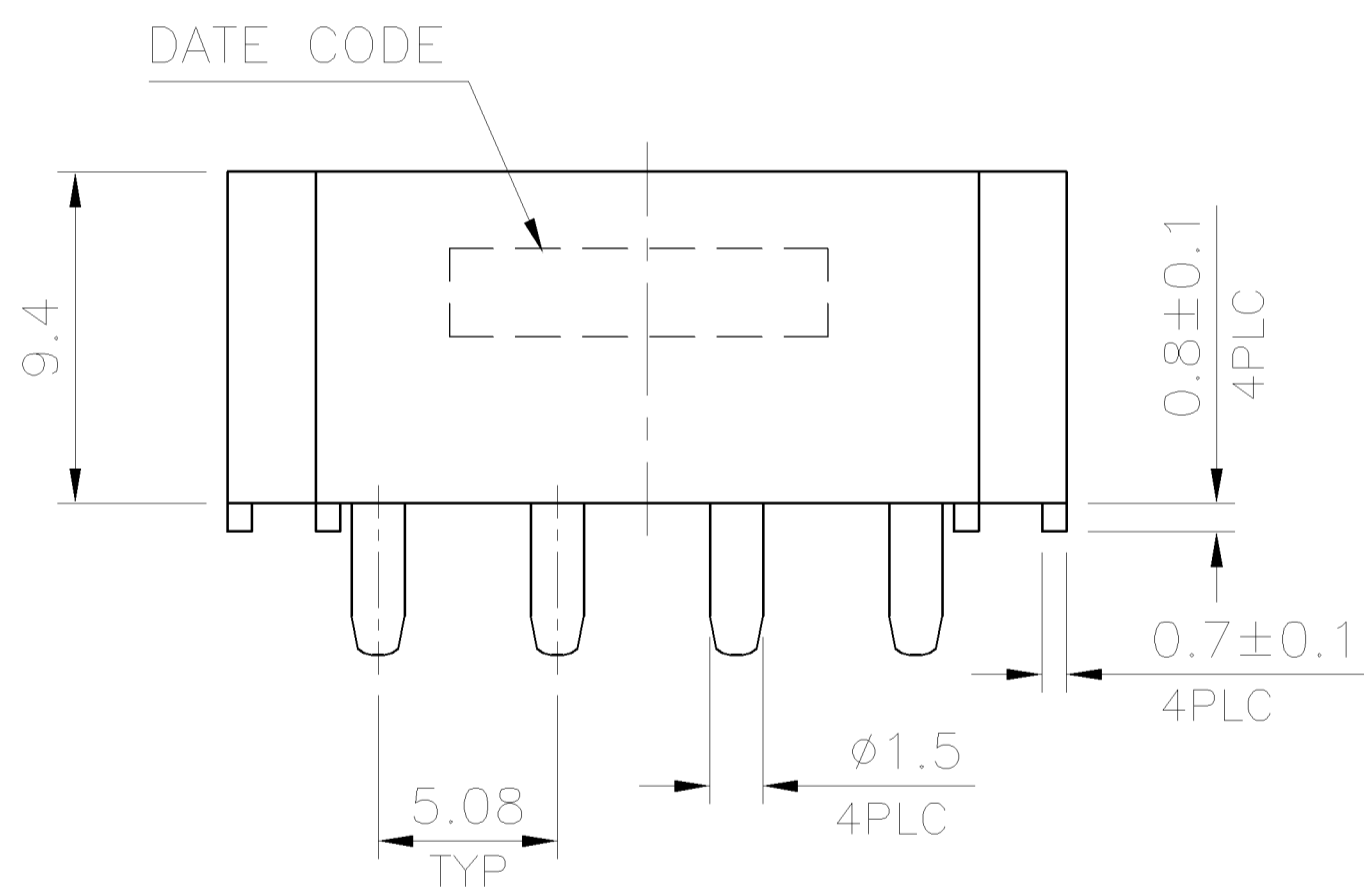
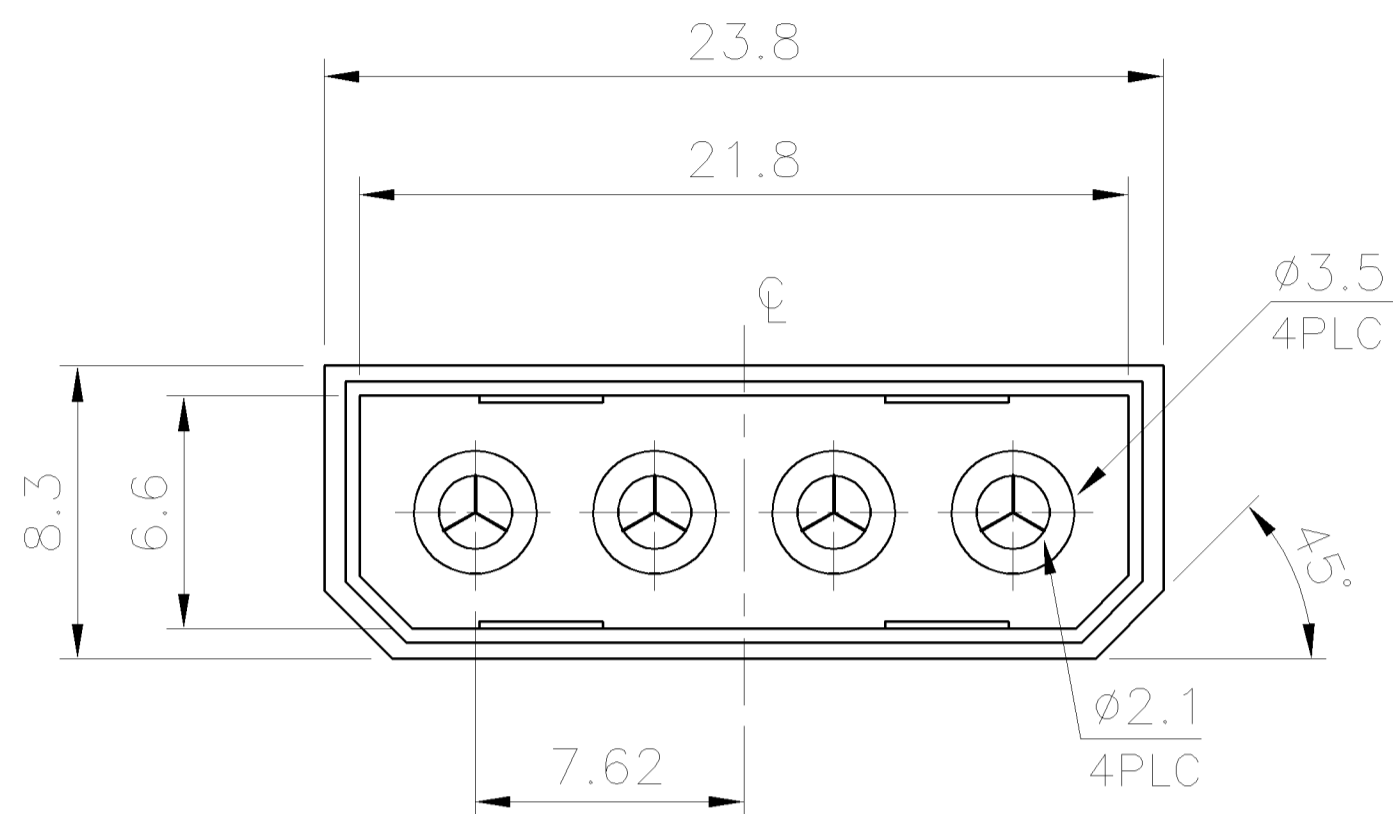


THIS DRAWING IS UNPUBLISHED. RELEASED FOR PUBLICATION
 © COPYRIGHT BY TYCO ELECTRONICS CORPORATION. ALL RIGHTS RESERVED.

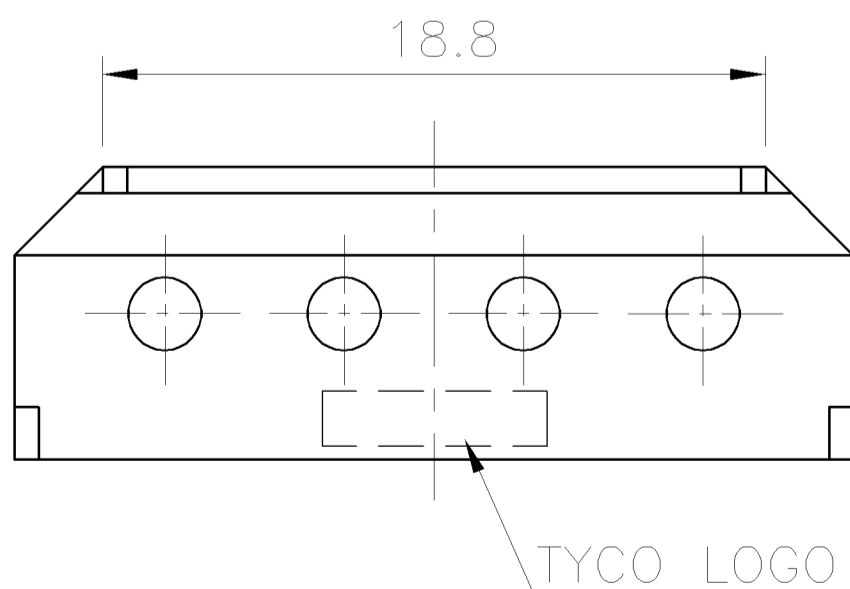
LOC	DIST	REVISIONS			
P	LTR	DESCRIPTION	DATE	DWN	APVD
DW	—	A	FIRST RELEASED	16MAR07	JL SH

NOTES:

- MATERIAL:
HOUSING: PA66 WITH 25% GF, UL 94V-0, COLOR: IVORY.
CONTACTS: BRASS.
- FINISH:
CONTACTS: 2.54um [100u"] MIN. BRIGHT-TIN PLATED,
1.27um [50u"] MIN. NICKEL UNDERPLATED ALL OVER.
- RECOMMENDED PCB THICKNESS: 1.6mm.
- WAVE SOLDER CAPABLE TO 265°C PER TYCO TEST SPEC.
109-202, CONDITION B.



TOLERANCE: ±0.05
 RECOMMENDED PCB LAYOUT

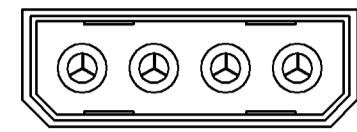


1734724-1
 PART NUMBER

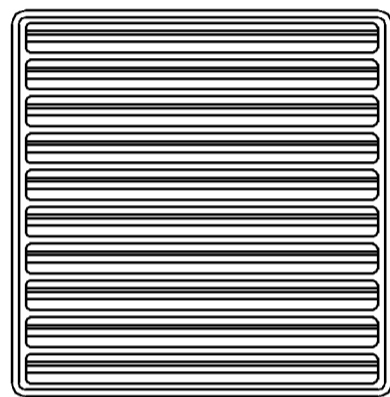
THIS DRAWING IS A CONTROLLED DOCUMENT.		DWN J. LEE 16MAR2007	Tyco Holdings (Bermuda) VII Ltd. Taiwan Branch														
DIMENSIONS: MM		CHK S. HOU 16MAR2007															
TOLERANCES UNLESS OTHERWISE SPECIFIED:		APVD W.J. KE 16MAR2007	NAME POWER CONNECTOR, 5.08mm PITCH, 4 POS, VERTICAL, DIP														
<table border="1"> <tr><td>0 PLC</td><td>± -</td></tr> <tr><td>1 PLC</td><td>± 0.30</td></tr> <tr><td>2 PLC</td><td>± 0.25</td></tr> <tr><td>3 PLC</td><td>± 0.15</td></tr> <tr><td>4 PLC</td><td>± -</td></tr> <tr><td>ANGLES</td><td>± 3°</td></tr> </table>		0 PLC	± -	1 PLC	± 0.30	2 PLC	± 0.25	3 PLC	± 0.15	4 PLC	± -	ANGLES	± 3°	PRODUCT SPEC 108-57641	QUALIFICATION TEST REPORT		
0 PLC	± -																
1 PLC	± 0.30																
2 PLC	± 0.25																
3 PLC	± 0.15																
4 PLC	± -																
ANGLES	± 3°																
MATERIAL SEE NOTE		FINISH SEE NOTE	501-57747	SIZE A3	CAGE CODE 00779												
		WEIGHT 1.7 GRAMS		DRAWING NO G-1734724	RESTRICTED TO -												
CUSTOMER DRAWING			SCALE -	SHEET 1 OF 2	REV A												

THIS DRAWING IS UNPUBLISHED. RELEASED FOR PUBLICATION
 © COPYRIGHT BY TYCO ELECTRONICS CORPORATION. ALL RIGHTS RESERVED.

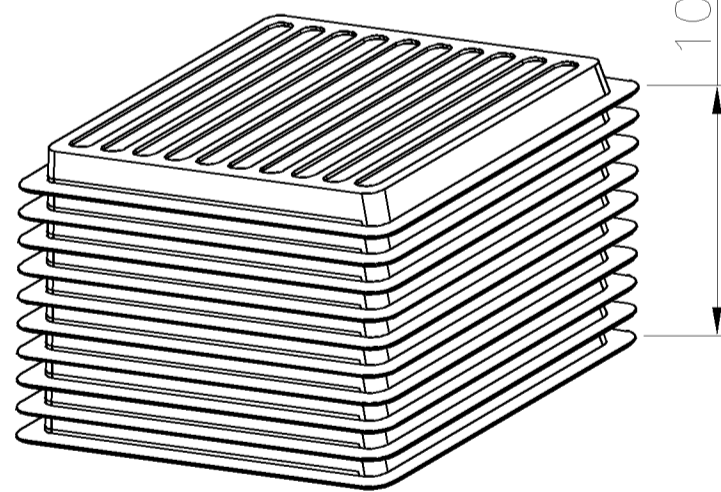
LOC DW	DIST —	REVISIONS			
P	LTR	DESCRIPTION	DATE	DWN	APVD
		SEE SHEET 1			



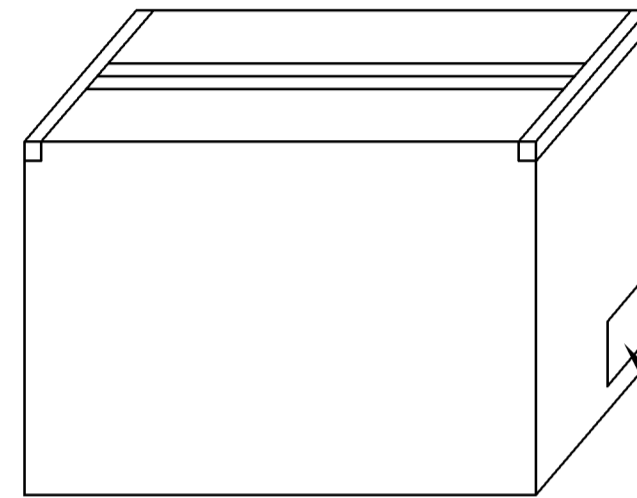
PRODUCT.



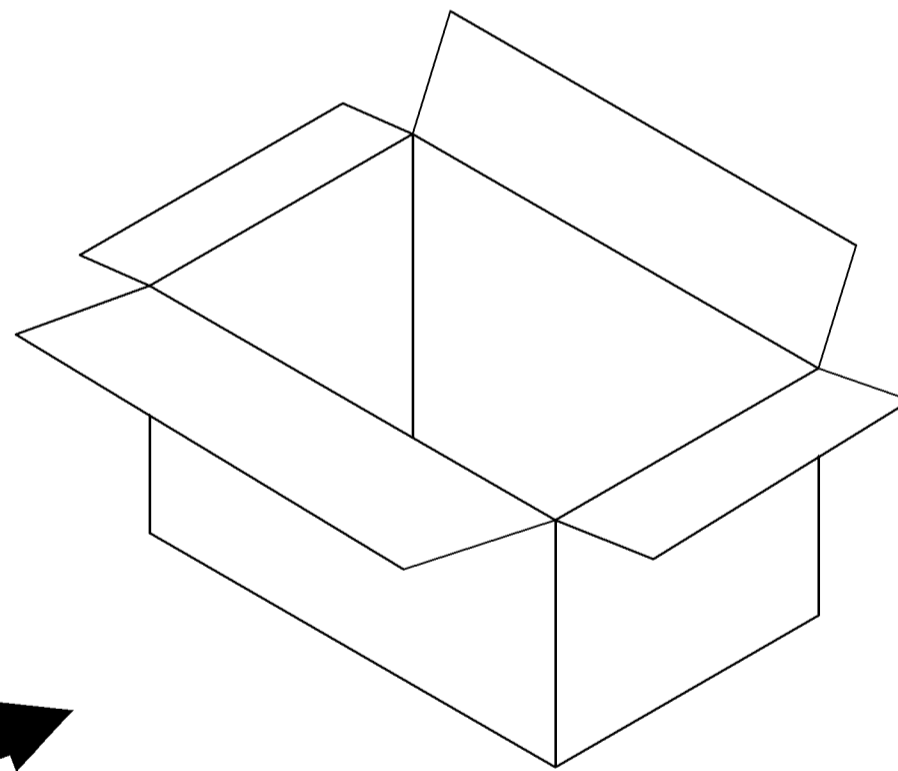
TRAY LAYOUT



10 TRAYS



LABEL



SHIPPING CARTON

NOTES:

- DIMENSION:
 TRAY: 425 X 280 X 30 mm
 SHIPPING CARTON: 450 X 300 X 300 mm
- QUANTITY:
 (SEE TABLE)
- WEIGHT:
 (SEE TABLE)

8.5 KG	7.3 KG	432	4320
GROSS WEIGHT	NET WEIGHT	PCS/TRAY	PCS/CARTON

THIS DRAWING IS A CONTROLLED DOCUMENT.		DWN J. LEE 16MAR2007	tyco Tyco Holdings (Bermuda)															
DIMENSIONS: MM		CHK S. HOU 16MAR2007	Electronics VII Ltd. Taiwan Branch															
TOLERANCES UNLESS OTHERWISE SPECIFIED:		APVD W.J. KE 16MAR2007	NAME POWER CONNECTOR, 5.08mm PITCH, 4 POS, VERTICAL, DIP															
<table border="1"> <tr><td>0 PLC</td><td>±</td></tr> <tr><td>1 PLC</td><td>±</td></tr> <tr><td>2 PLC</td><td>±</td></tr> <tr><td>3 PLC</td><td>±</td></tr> <tr><td>4 PLC</td><td>±</td></tr> <tr><td>ANGLES</td><td>±</td></tr> <tr><td>FINISH</td><td>—</td></tr> </table>		0 PLC	±	1 PLC	±	2 PLC	±	3 PLC	±	4 PLC	±	ANGLES	±	FINISH	—	PRODUCT SPEC —	QUALIFICATION TEST REPORT —	
0 PLC	±																	
1 PLC	±																	
2 PLC	±																	
3 PLC	±																	
4 PLC	±																	
ANGLES	±																	
FINISH	—																	
MATERIAL —		WEIGHT —	SIZE A3	CAGE CODE 00779														
CUSTOMER DRAWING			DRAWING NO C-1734724	RESTRICTED TO —														
SCALE —			SHEET 2 OF 2	REV A														