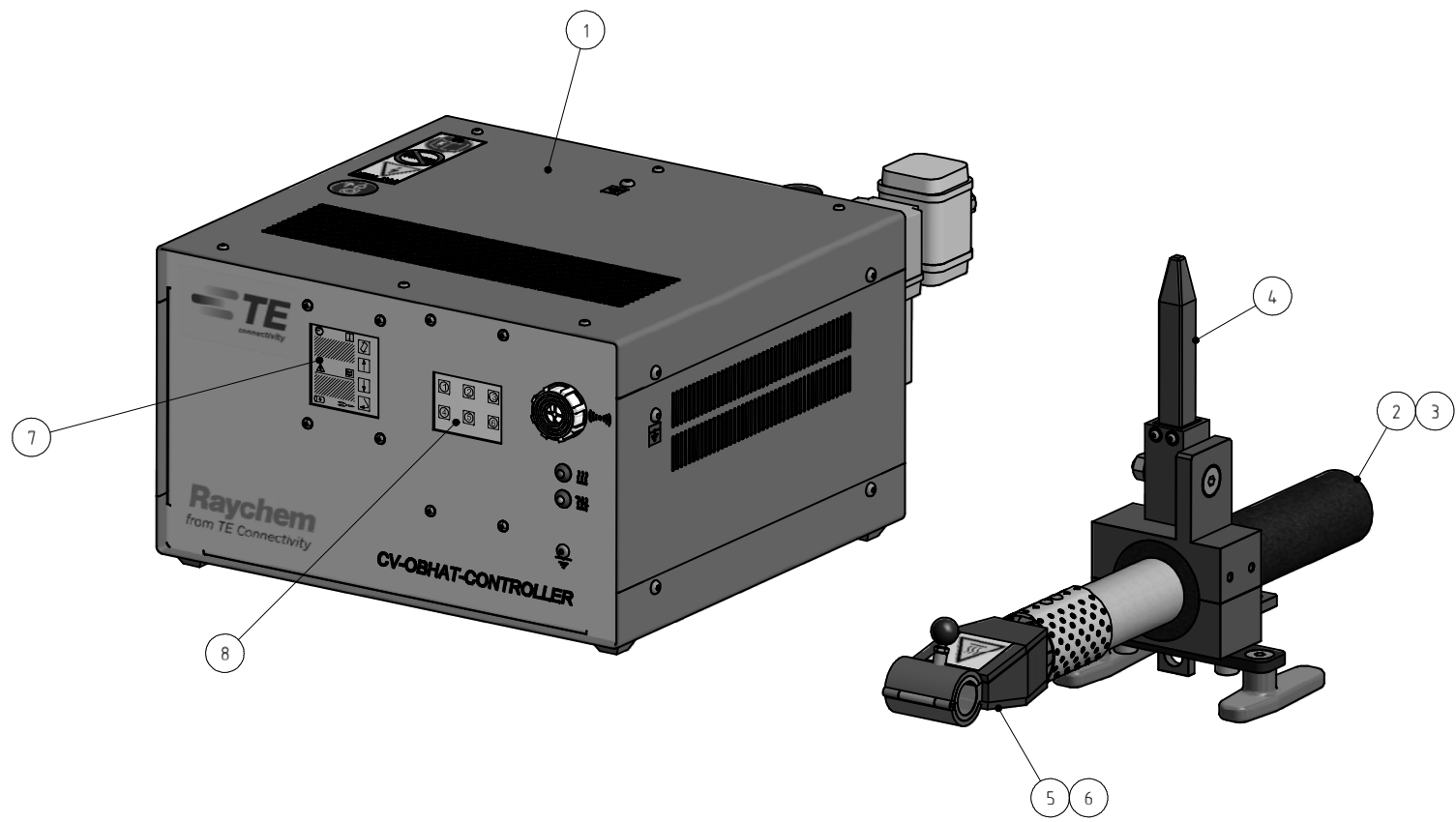
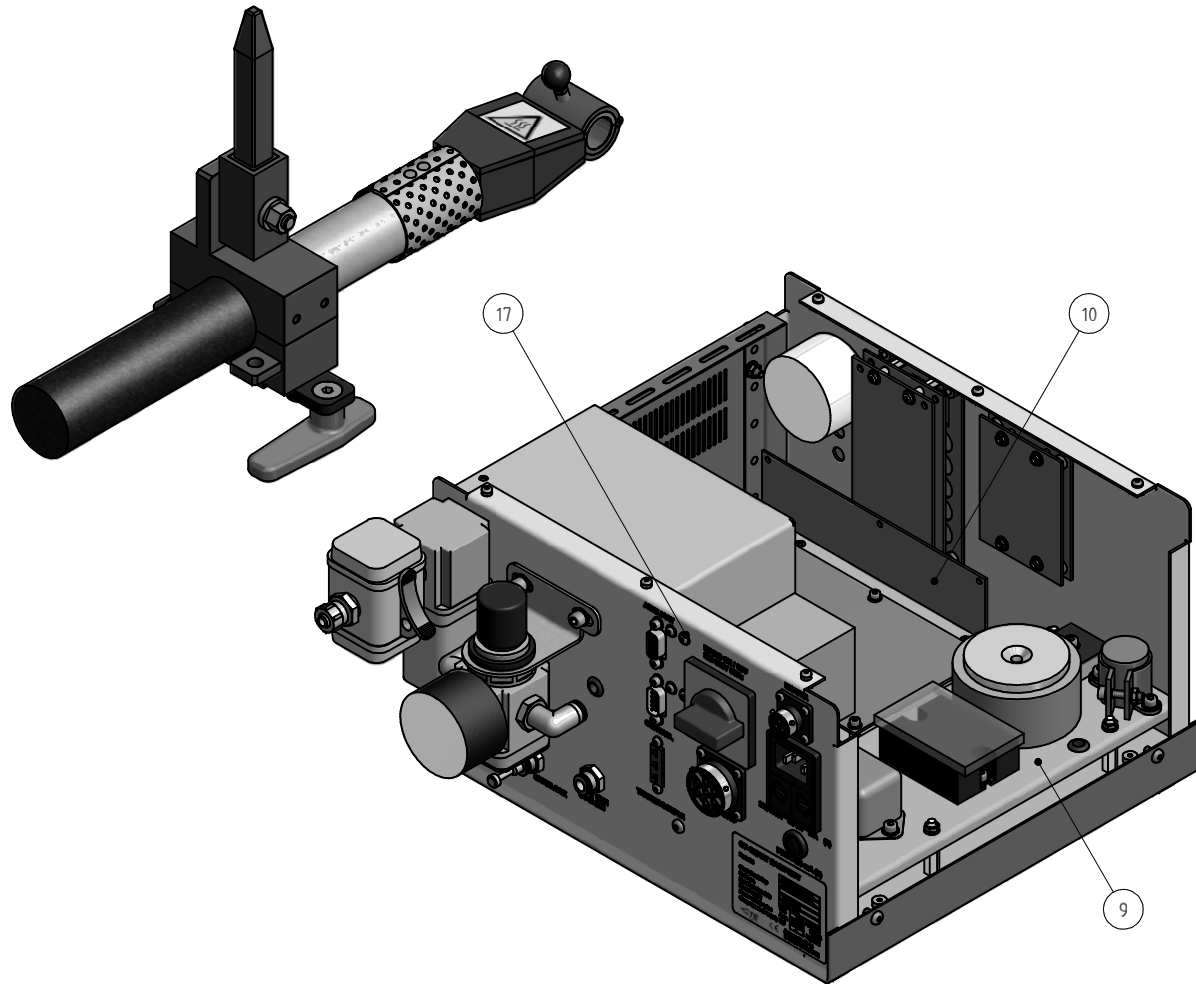


REVISIONS				DATE	DWN	APVD
P	LTR	DESCRIPTION				
B		INITIAL REVISION	15OCT14	RN	ML	



THIS DRAWING IS A CONTROLLED DOCUMENT.		DWN: R.Nitschke 26SEP2014 CHK: M.Lipp 26SEP2014		
DIMENSIONS: mm 		APP'D: M.Lipp 26SEP2014		
TOLERANCES UNLESS OTHERWISE SPECIFIED: 0 PLC ± 3 PLC ± 3 PLC ± 3 PLC ± ANGLES ±		PRODUCT SPEC	APPLICATION SPEC	RESTRICTED TO
MATERIAL		FINISH	SIZE: A2 CAGE CODE: 00779 DRAWING NO: 1-1899619-1	SCALE: 1:2 SHEET: 1 of 3 REV: B
CUSTOMER DRAWING				


LOC	DIST	REVISIONS					
AI	00	P	LTR	DESCRIPTION	DATE	DWN	APVD
		B		INITIAL REVISION	15OCT14	RN	ML



THIS DRAWING IS A CONTROLLED DOCUMENT.		DWN: R.Nitschke 26SEP2014	
DIMENSIONS: mm		CHK: M.Lipp 26SEP2014	
		APP'D: M.Lipp 26SEP2014	
TOLERANCES UNLESS OTHERWISE SPECIFIED:		PRODUCT SPEC	NAME: CV-OBHAT BASE UNIT
0 PLC ± 3 PLC ± 3 PLC ± 3 PLC ± ANGLES ±		APPLICATION SPEC	RAYCHEM-NO.: CH3712-000
MATERIAL	FINISH	Gravch / Weight in Kg 15 kg	RESTRICTED TO
CUSTOMER DRAWING		SIZE: A2	CAGE CODE: 00779
		DRAWING NO: 1-1899619-1	SCALE: 1:2
			SHEET: 2 of 3
			REV: B

SPARE PARTS LIST

POS	QTY	TE / PN	RAYCHEM / PN	DESCRIPTION	GUIDELINE
1	1	6-529533-9		CV-OBHAT CONTROLLER	Controller
2	1	2-537221-3		CV-OBHAT UMBILICAL ASSEMBLY	6M Umbilical Replacement Kit including gun
3	1		C86423-000	CV-OBHAT-1600W-GUN-MK2	Heat Gun With Thermal Protection
4	1		636506-000	CV-OBHAT-SPIGOT	Board Location Spigot
5	1		398618-000	CV-OBHAT-ST-SPL-REFL-INS	Insulated stub splice reflector
6	1		342826-000	CV-OBHAT-ST-SPL-REFL-NOLN	Non-Insulated stub splice reflector
7	1	3-529533-3		RBK-ILS-MK2/3/CV-OBHAT-TIMER-MODULE	Timer module
8	1	4-529533-6		CV-OBHAT-TEMP-CONT-MOD	Temperature control module
9	1	2-537221-4		CV-OBHAT-PSU-004-ON	Power Supply Unit serial number 004 onwards
10	1	2-537221-8		CV-OBHAT-TCPLE-INTFCBD	Interface Board
11	1		415402-000	CV-OBHAT-LOC-FIX-ASSY	Location Fixture Assembly
12	1		775072-000	CV-OBHAT-COOL-FIX-ASSY	Cooling Fixture Assembly
13	1		C58553-000	CV-OBHAT-MECH-GRIPPER	Mechanical gripper to be used with base unit
14	1		CH3711-000	CV-OBHAT-SIL-ARM-GRIP	
15	1		679818-000	CV-OBHAT-SIL-GRIP	Silicon Gripper
16	1	4-529533-2		CV-OBHAT-COOL-DUAL-FIX-ASSY	
17	1	6-529533-8		FILTER PCB	
18	1	2-537221-5		CV-OBHAT WIRING DIAGRAM	
19	1	8-528416-0		PNEUMATIC PLAN, CV-OBHAT BASE UNIT	
20	1	6-744015-2		IS412-94244, CV-OBHAT BASE UNIT	Instruction Sheet

THIS DRAWING IS A CONTROLLED DOCUMENT.		DWN: R.Nitschke CHK: M.Lipp	26SEP2014 26SEP2014	 TE Connectivity
DIMENSIONS: mm		APP'D: M.Lipp	26SEP2014	
TOLERANCES UNLESS OTHERWISE SPECIFIED:		NAME: CV-OBHAT BASE UNIT		RAYCHEM-NO.: CH3712-000
0 PLC ± 3 PLC ± 3 PLC ± 3 PLC ± ANGLES ±		PRODUCT SPEC		
MATERIAL		APPLICATION SPEC		RESTRICTED TO
FINISH		SIZE: A2	CAGE CODE: 00779	DRAWING NO: 1-1899619-1
		Gewicht / Weight in Kg: 15 kg		SCALE: 1:2
		CUSTOMER DRAWING		SHEET: 3 of 3
				REV: B