

CF-DA

Detect Switches

RoHS Compliant



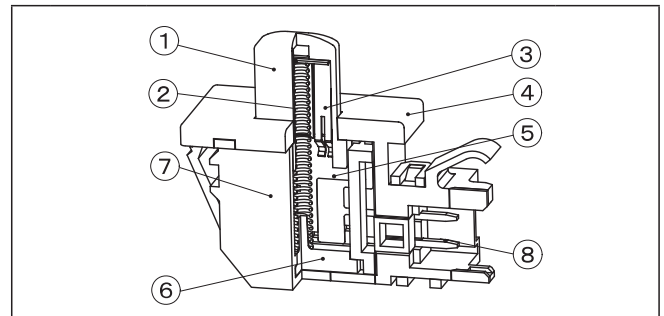
Features

- 1. High contact reliability**
The contact part has a self-cleaning function.
- 2. Long Stroke**
Full stroke=7.5mm
- 3. Snap-in Panel Mounting**
- 4. Connector Socket**
The terminal section can be one touch to the contactor.
This can shorten lead wire installation time.

Specifications

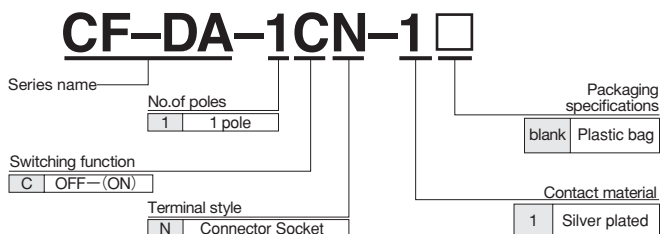
Rating	Max.	DC30V 100mA	(Resistive load)
	Min.	DC20mV 0.5mA	(Resistive load)
Dielectric strength	AC500V 1minute		
Initial contact resistance	100mΩ Max. (AC200μV 1.5mA)		
Initial insulation resistance	100MΩ Min. (DC500V)		
Electrical life	100,000 operations		
Operating force	1.96~3.92N		
Stroke	7.5 ±0.3mm		
Operating temp. range	-25~+85°C		
Recommended connectors	J.S.T MFG CO.,LTD. XAP-02V-1		

Internal Structure



Part name	Material	Flammability
① Button	Polyacetal	UL-94HB
② Spring	Piano wire	—
③ Movable contact	Copper alloy, Silver-plated	—
④ Frame	Polyacetal	UL-94HB
⑤ Base	Polybutylene terephthalate	UL-94V-0
⑥ Inner plate	Polybutylene terephthalate	UL-94V-0
⑦ Cover	Polybutylene terephthalate	UL-94V-0
⑧ Terminal pin	Copper alloy, Silver-plated	—

Part Numbering



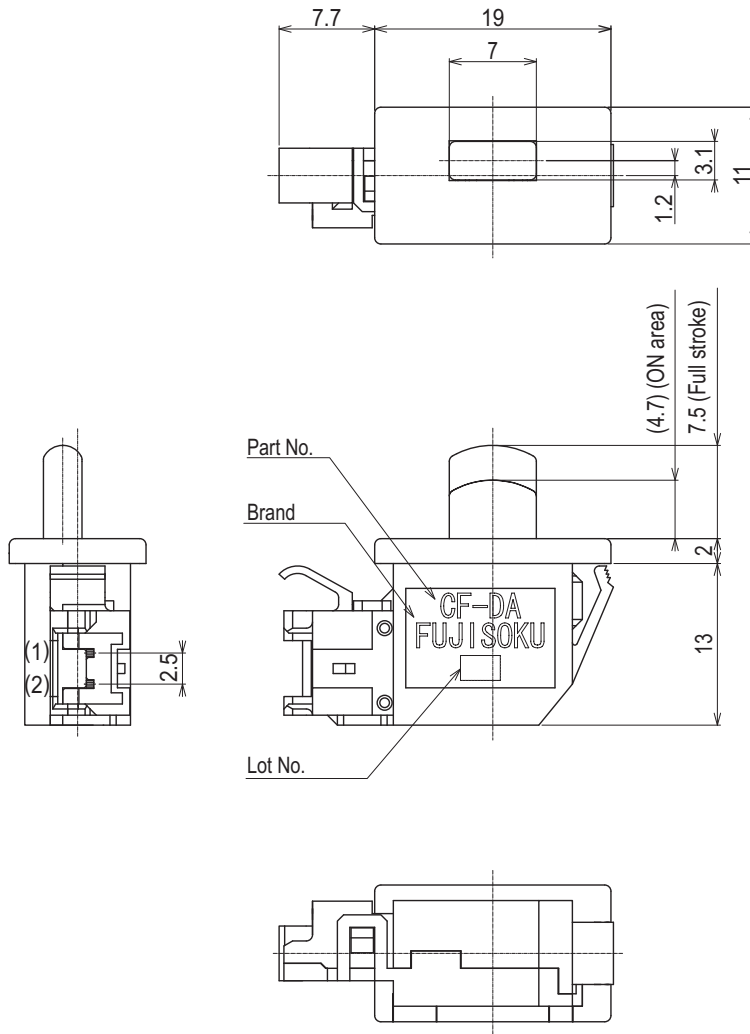
Switching Function

Part number	Switching function		Circuit diagrams
CF-DA-1CN-1	Free	Push	
	OFF	(ON)	
	—	(1) — (2)	

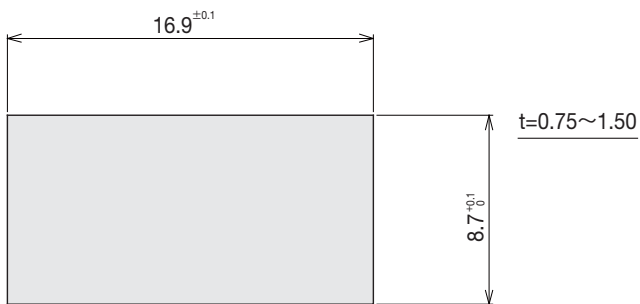
(ON) : Momentary

■ Outline Dimensions

Unless otherwise specified, tolerance:±0.3 (unit:mm)



■ Panel Cut-out Dimensions



■ Precautions for Panel Mounting

Cut edge behind the panel should be Squared so that the toothed area of the Switch box bites the panel firmly.

