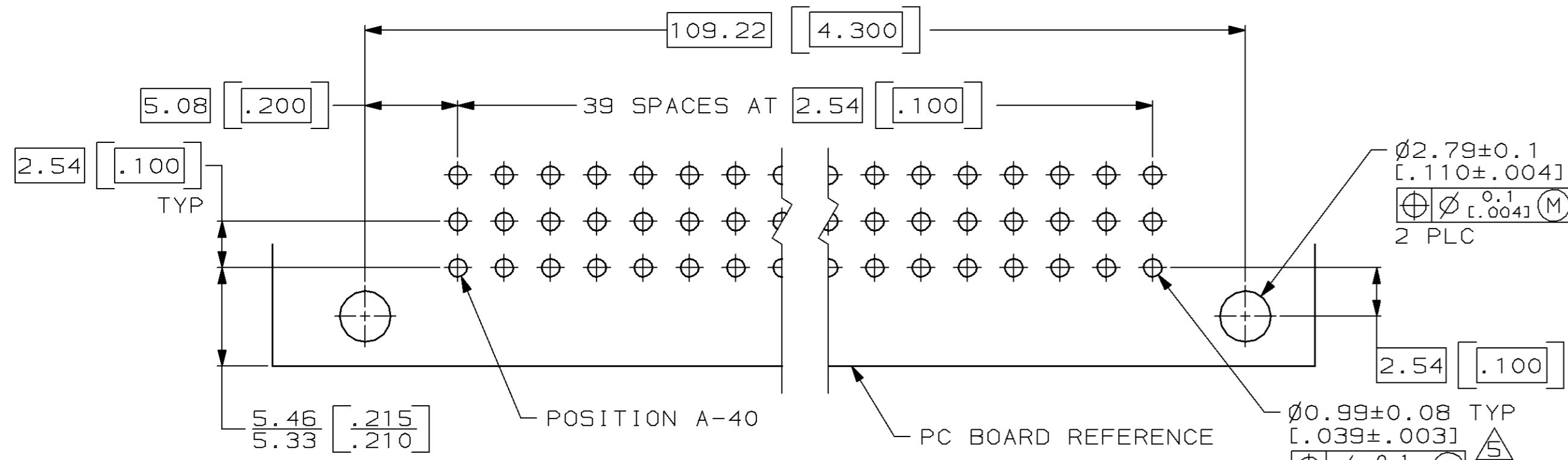
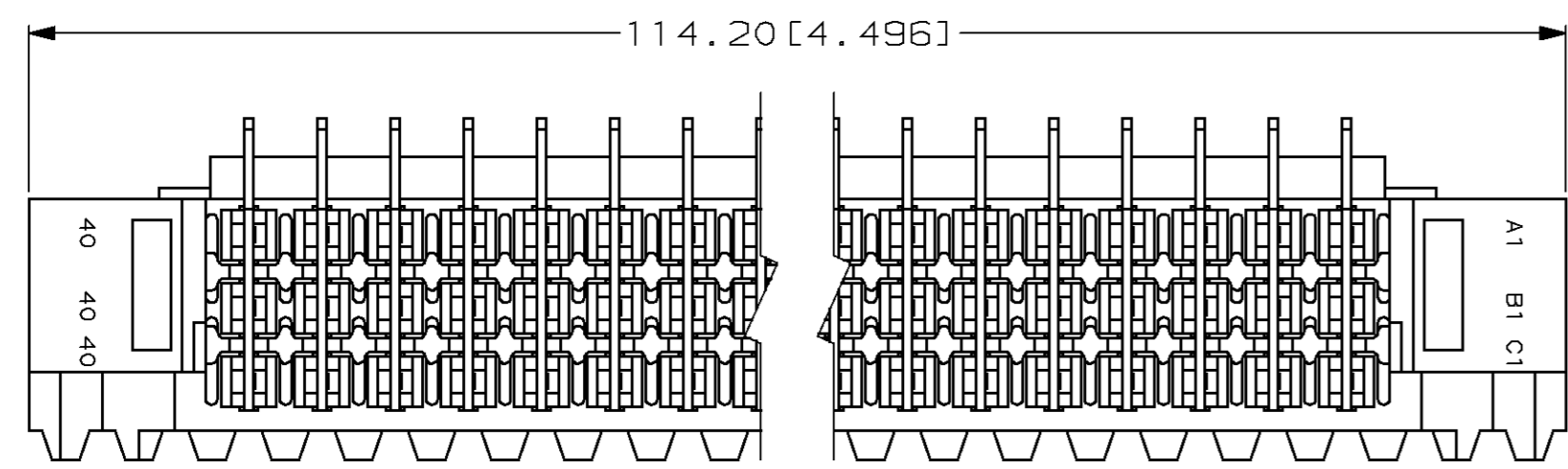
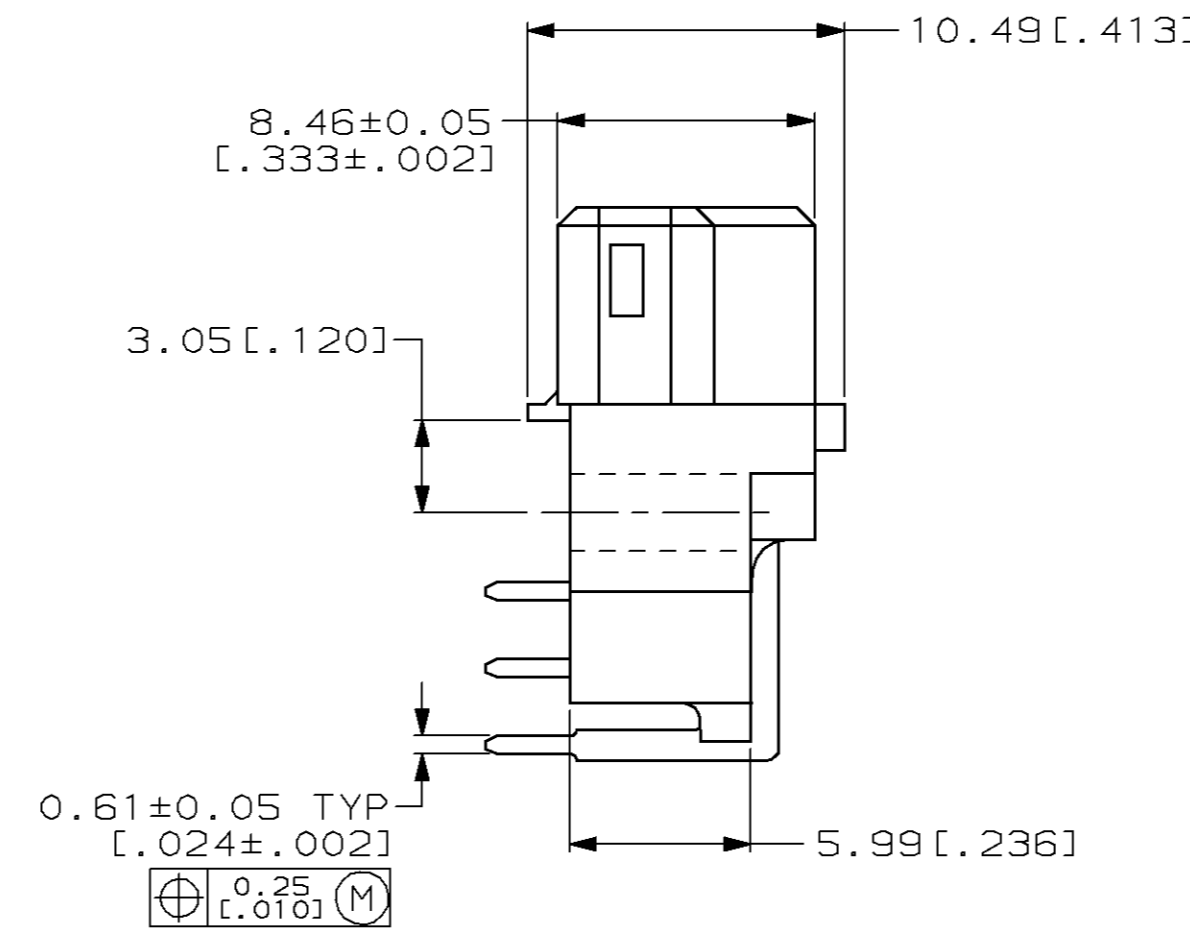
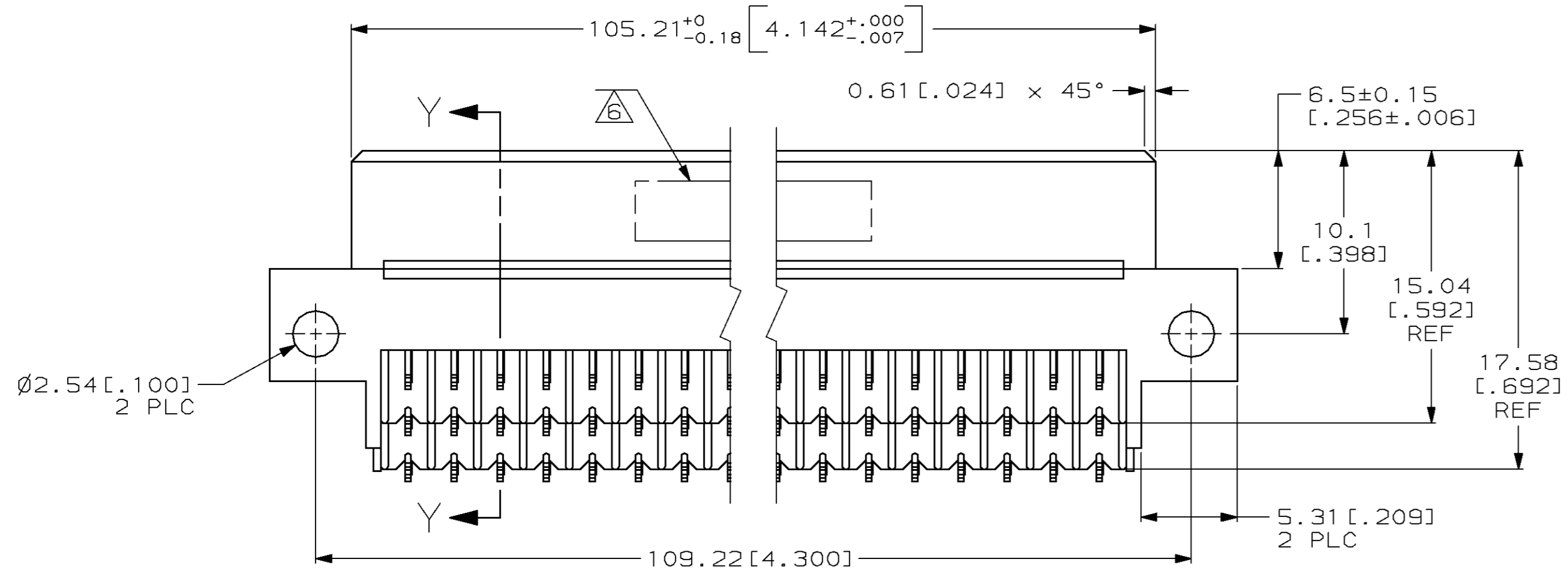
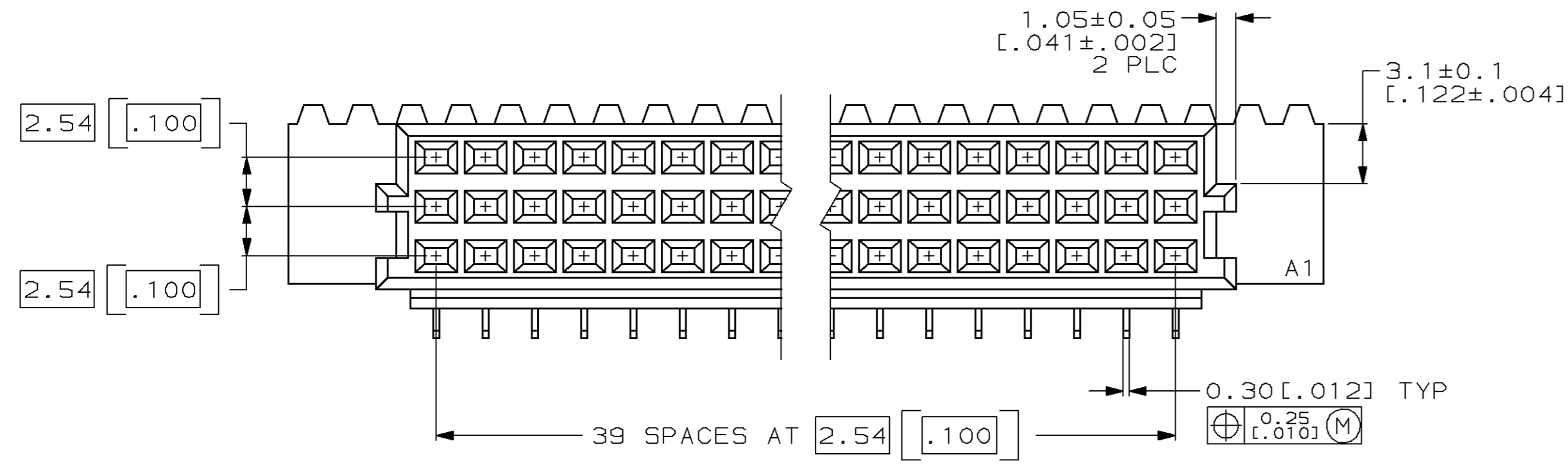
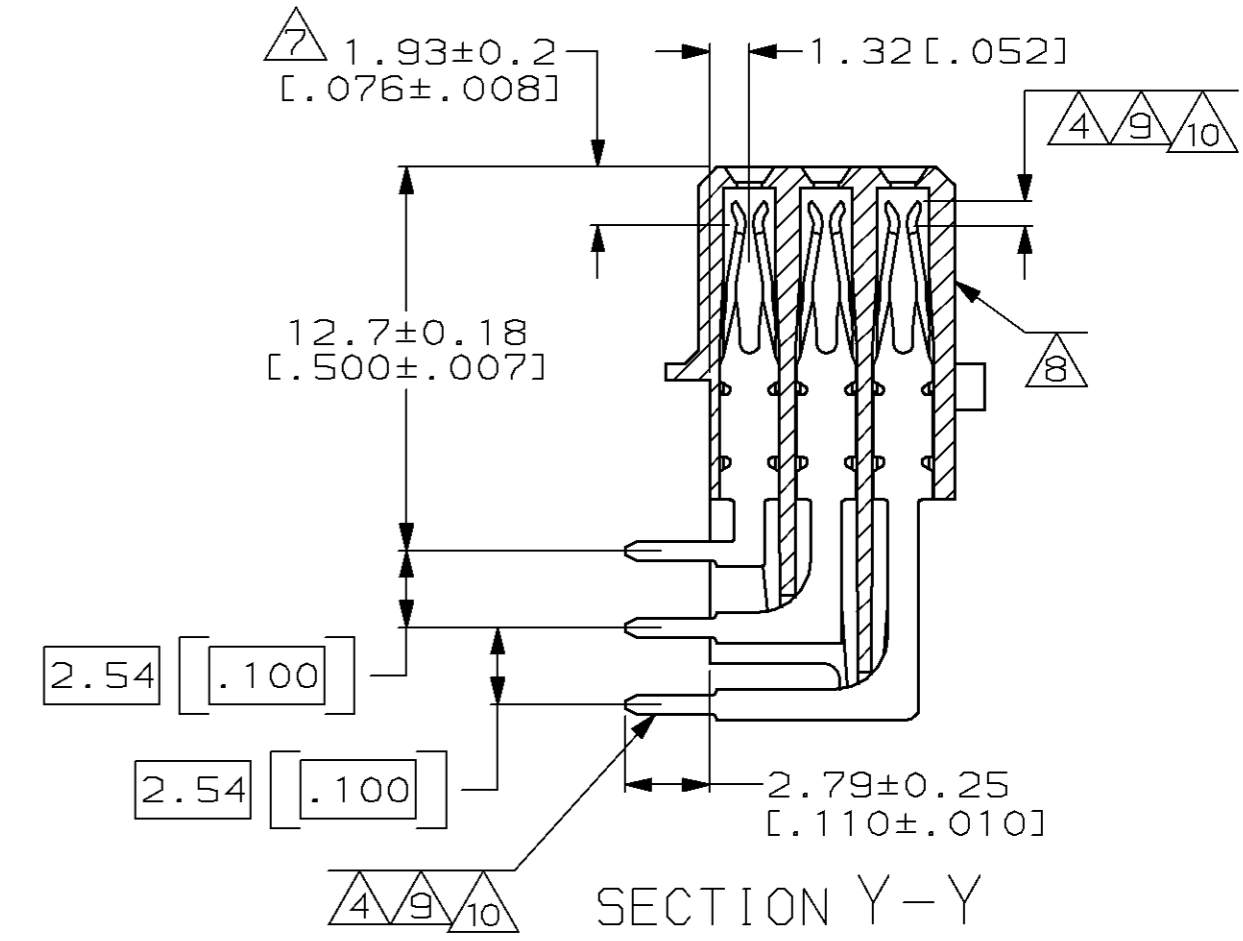


LOC	DIST	P	F	ZONE	LTR	REVISIONS		
						DESCRIPTION	DATE	APPD
					K	EC 0010-1457-95	1/18/96	CR
					L	EC 0010-0318-96	4/1/96	CR
					M	EC 0010-1469-95	4/1/96	CR
					N	EC 0010-0895-96	6/24/96	CR



- DIMENSIONS IN BRACKETS ARE IN INCHES.
- HOUSING MATERIAL: GLASS-FILLED POLYESTER. COLOR: GRAY.
- CONTACT MATERIAL: PHOSPHOR BRONZE.
- CONTACT FINISH: 0.00076 [.000030] GOLD IN CONTACT AREA. 0.00127 [.000050] NICKEL UNDERPLATE ALL OVER. TIN-LEAD ON POSTS.
- RECOMMENDED HOLE SIZE FOR MANUAL APPLICATION OF CONNECTOR ONTO PC BOARD.
- PART NUMBER, DATE CODE IDENTIFICATION, CSA LOGO HOT-STAMPED THIS APPROXIMATE AREA.
- CONTACT POINT.
- HOT-STAMPING ON THIS SIDE.
- CONTACT FINISH: DIN 41612 CLASS 3 IN CONTACT AREA. TIN-LEAD ON POSTS.
- CONTACT FINISH: DIN 41612 CLASS 2 IN CONTACT AREA. TIN-LEAD ON POSTS.



NOTES	POSITIONS LOADED	C	B	A	NO. OF LOADED POSITION	ASSY PART NUMBER
SUPERSEDED BY 650874-4	1 THRU 40	X	X	X	120	650874-9
	1 THRU 40	X	X	X	120	650874-5
	1 THRU 40	X	X	X	120	650874-4

DO NOT SCALE PRINT. UNLESS SPECIFIED DIMENSIONS IN mm [INCHES] TOLERANCES ON:	DR L. BRINER 7/25/90	AMP INCORPORATED Harrisburg, Pa. 17105			
1 PLC DEC ± -	CHK N. DRASHER 12/19/91				
2 PLC DEC ± 0.13 [.005]	APPD N. DRASHER 12/19/91	NAME			
ANGLES ± -	APPD K.R. PARMER 12/19/91	RECEPTACLE ASSEMBLY, EUROCARD, TYPE R, 120 POSITION			
MATERIAL	PRODUCT SPEC	SIZE	CAGE CODE	DRAWING NO	
HOUSING:	-	D	00779	650874	
CONTACT:	-	WEIGHT	-	SCALE	4:1
FINISH	APPLICATION SPEC	SHEET 1 OF 1			
CONTACT:	-	CUSTOMER DRAWING			