

**Technical specification:**

Rated voltage: IEC 61076-2-101	8pos 30 V
Current rating: IEC 61076-2-101	2 A at 40°C
Insulation resistance: IEC 60512	>=100 MΩ
Pollution degree: IEC 60664-1	3/2
Degree of protection: IEC 60529	IP 67, in mated condition
Temperature range: IEC 60664-1	-30°C ... +80°C
Mating cycles: IEC 60512-9a	>=100

**Materials:**

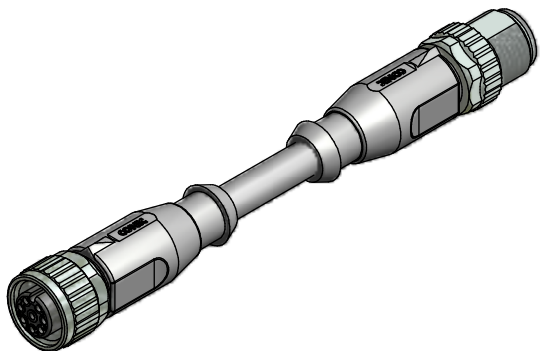
Contact:	CuZn
Contact plating:	Nickel, gold plated
Contact carrier:	TPU GF, UL 94
Sealing:	FPM
Coupling nut/ screw:	GD-Zn, nickel plated
Moulding body:	TPU, UL 94, grey

**Installation specification:**

Recommended torque:	0,6 Nm
Conec installation tool:	Torque wrench: 36-000200 Insert across flats 13: 36-000220

**Contact assignment:**

1) white	5) grey
2) brown	6) pink
3) green	7) blue
4) yellow	8) red



Part no:	Description:	Length L:	Cable:
43-10596	SAL - 12 - RK8 - RS8 - 0,3 / A1	0,3m	PVC, grey, 8x0,25mm <sup>2</sup> Cable: 781-A12800
43-10597	SAL - 12 - RK8 - RS8 - 0,6 / A1	0,6m	
43-10598	SAL - 12 - RK8 - RS8 - 1,5 / A1	1,5m	
43-10599	SAL - 12 - RK8 - RS8 - 3,0 / A1	3m	
43-xxxxx	SAL - 12 - RK8 - RS8 - ... / A1	x	

D see data sheet cable

DO NOT ALTER CAD DRAWING BY HAND Directive 2002/95/EC RoHS compliant	Index: a 26.01.2011 VF Ä3767 Coupling nut/screw modified, spanner flats added, data sheet modified	dim. in mm <table border="1"> <tr> <td></td> <td>date</td> <td>name</td> </tr> <tr> <td>drawn</td> <td>08.03.07</td> <td>Fromm</td> </tr> <tr> <td>appd.</td> <td>08.03.07</td> <td>Mankopf</td> </tr> </table>		date	name	drawn	08.03.07	Fromm	appd.	08.03.07	Mankopf	<b>title:</b> <b>Connecting cable M12x1, female connector axial - male connector axial</b>
			date	name								
	drawn	08.03.07	Fromm									
	appd.	08.03.07	Mankopf									
tolerance of cable: L ≤ 4m: L + 40mm L > 4m: L + 1%		<b>dwg no:</b> <b>43K1A223</b>										
THIS DRAWING MAY NOT BE COPIED OR REPRODUCED IN ANY WAY, AND MAY NOT BE PASSED ON TO A THIRD PARTY WITHOUT WRITTEN PERMISSION. OWNERSHIP AND COPYRIGHT OF CONEC GmbH		<b>part no:</b> <b>see table</b>										