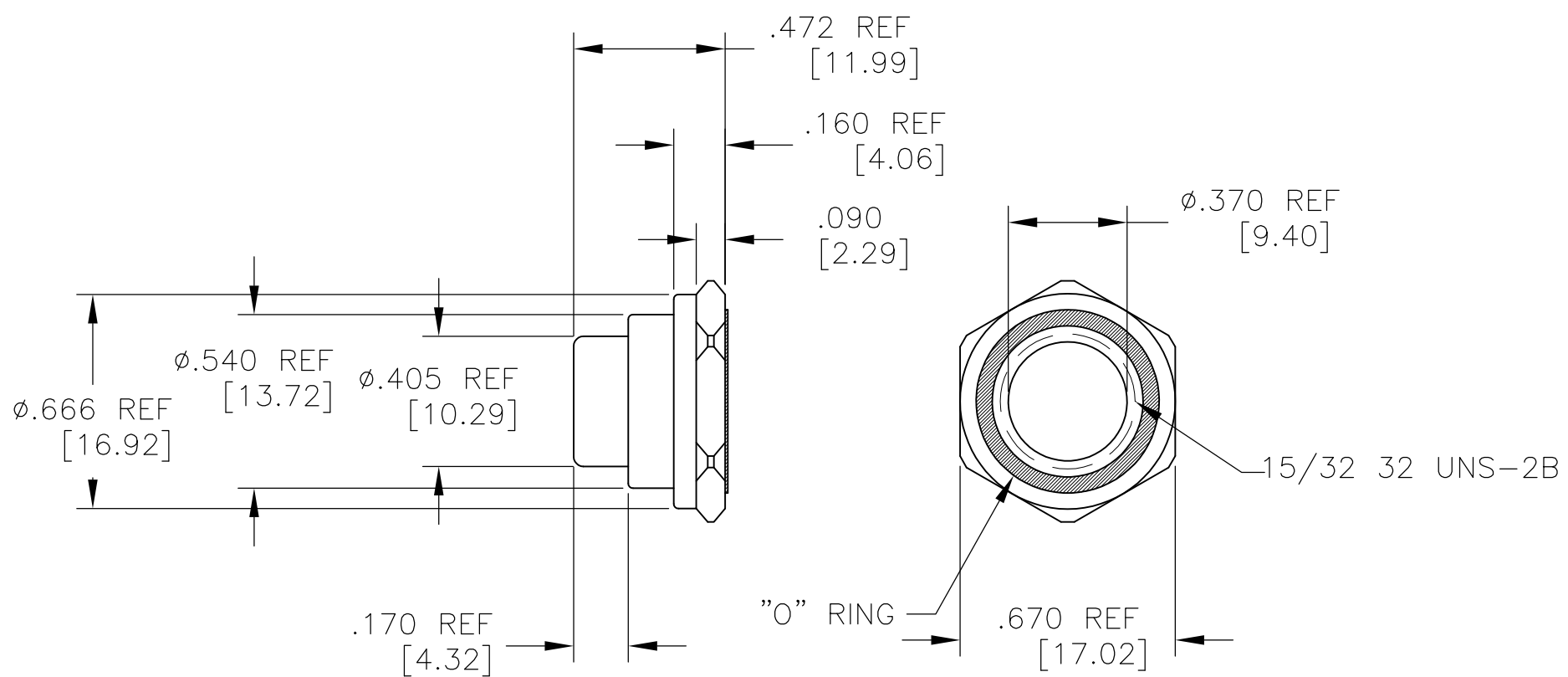


THIS DRAWING IS UNPUBLISHED. RELEASED FOR PUBLICATION
 © COPYRIGHT - BY TYCO ELECTRONICS CORPORATION. ALL RIGHTS RESERVED.

| LOC | DIST | REVISIONS | | | |
|-----|------|-------------|---------------------------|---------|--------|
| P | LTR | DESCRIPTION | DATE | DWN | APVD |
| AD | 00 | B | REVISED PER ECO-07-029259 | 28MAR08 | HMR MW |

- 1 SUPPLIED WITH "O" RING SEAL FOR SEALING TO PANEL
- △2 BLACK ANODIZED MOUNT VERSION
- △3 NICKEL PLATED MOUNT VERSION
- 4 NEOPRENE BOOT



| | | | |
|--------------------------|--------|----------|-------------|
| SUPERSEDE WITH 1825603-1 | △2 | BP590004 | 1825608-2 |
| OBSOLETE | △3 | BP589004 | 1825608-1 |
| | FINISH | ALCO P/N | PART NUMBER |

| | | | | |
|----------------------------------------|----------------------------------------|-------------------------------|-----------------------------------------------------------|-------------------------|
| THIS DRAWING IS A CONTROLLED DOCUMENT. | | DWN M.BINNER 14AUG2006 | Tyco Electronics Corporation Harrisburg, PA 17105-3608 | |
| DIMENSIONS: INCHES | TOLERANCES UNLESS OTHERWISE SPECIFIED: | CHK M.WILBOURN 15AUG06 | NAME 15/32-32 PUSHBUTTON BOOT SEAL | |
| | 0 PLC ± - | APVD M.WILBOURN 15AUG06 | PRODUCT SPEC | SIZE A3 |
| | 1 PLC ± - | | APPLICATION SPEC | |
| | 2 PLC ± - | | | DRAWING NO C-1825608 |
| | 3 PLC ± .005 | | | RESTRICTED TO |
| | 4 PLC ± - | | | |
| MATERIAL | FINISH | WEIGHT | CUSTOMER DRAWING | |
| - | - | - | SCALE 2:1 | SHEET 1 OF 1 |
| | | | | REV B |