

1

2

3

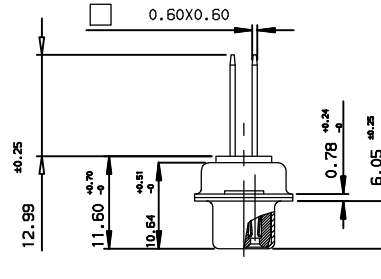
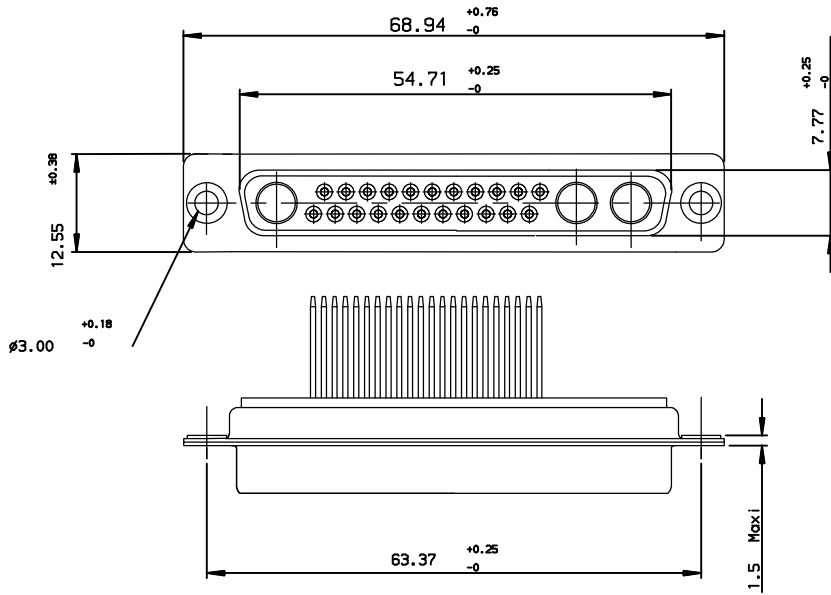
4

GENERAL CHARACTERISTICS AND RoHS INFORMATION:

SEE DRAWING C01-8639-0003

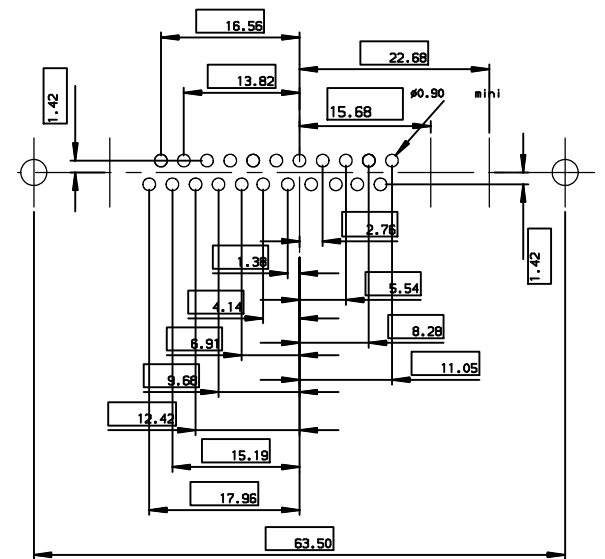
A

A



LAYOUT DIMENSIONS (after plating)

CONNECTOR SIDE VIEW



B

B

C

C

DC25W3S400A00LF  
PART NUMBER LEAD FREE

European Views

www.fciconnect.com			surface ISO 1302 <input checked="" type="checkbox"/>	tolerance std ISO 406 ISO 1101	projection 	mm
TOLERANCES UNLESS OTHERWISE SPECIFIED						
	ANGULAR	LINEAR	0.X	$\pm 0.1$	size A3	Scale 1:1
	0.XX	$\pm 2^\circ$	0.XX	$\pm 0.1$	ECN LS08-0071	Rev. B
	0.XXX		0.XXX	$\pm 0.1$	Spec ref RELEASED	
Product family			--		Sheet 1 of 1	
	SOCKET CONNECTOR WITH WIRE WRAP				dwg no C01-8639-2345	Rev. B
catalog no			-		CUSTOMER sheet 1 of 1	

rev	ecn no	dr	date
A	LS07-0178	MPE	2007/06/21
B	LS08-0071	MPE	2008/03/11
-	-	-	-
-	-	-	-
-	-	-	-
-	-	-	-

Dr	JARRY	27/08/96
Eng	JARRY	27/08/96
Chr	JARRY	27/08/96
Appr	JARRY	27/08/96

Copyright FCJ.

D

D

1

2

3

4