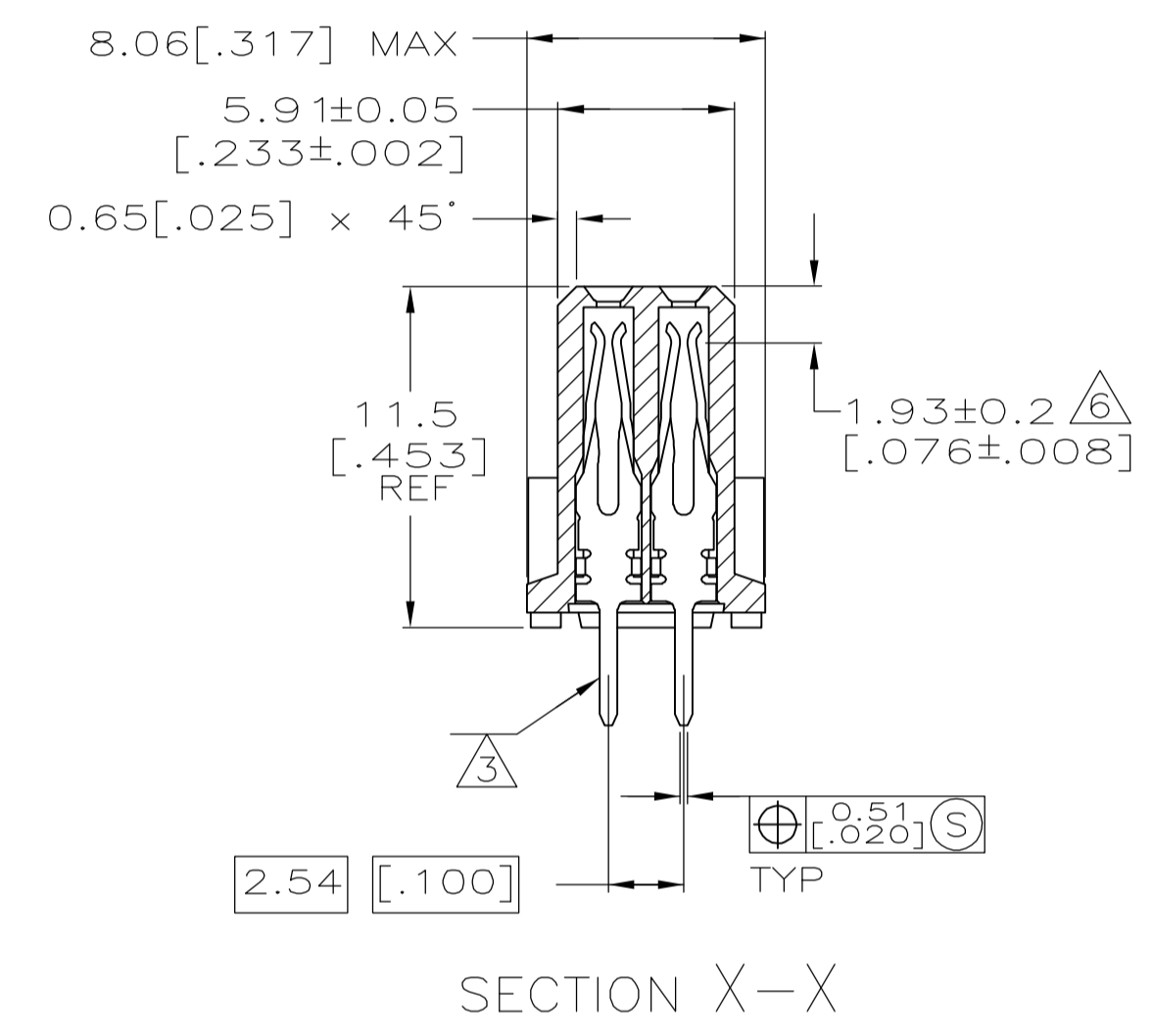


- ① HOUSING MATERIAL: GLASS-FILLED POLYMER.
- ② CONTACT MATERIAL: COPPER ALLOY.
- ③ CONTACT FINISH: DIN 41612 CLASS 2 IN CONTACT AREA. NICKEL UNDERPLATE ALL OVER. TIN PLATE ON POSTS.
- ④ PART NUMBER, DATE CODE IDENTIFICATION, CSA LOGO IN THIS APPROXIMATE AREA, ON REVERSE SIDE.
- ⑤ RECOMMENDED HOLE SIZE FOR MANUAL APPLICATION OF CONNECTOR ONTO PC BOARD.
- ⑥ CONTACT POINT.



1-16		X	X	32	5536446-5
POSITIONS LOADED		ROWS LOADED		NO. OF LOADED POSITION	ASSY PART NUMBER
THIS DRAWING IS A CONTROLLED DOCUMENT.		DIN J. POLIGNONE 27MAY05		Tyco Electronics Corporation Harrisburg, PA 17105-3608	
DIMENSIONS: mm [INCHES]		CIK A. SHARPE 27MAY05		NAME ASSEMBLY, RECEPTACLE, EUROCARD, TYPE B, 32 POSITION, 3.30 [0.130] SOLDER POSTS	
TOLERANCES UNLESS OTHERWISE SPECIFIED:		APVD A. SHARPE 27MAY05		APPLICATION SPEC	
0 PLC ± -		SIZE A1		SCALE 4:1	
1 PLC ± -		CAGE CODE 00779		SHEET 1 OF 1	
2 PLC ± -		DRAWING NO. 5536446		REV 0	
3 PLC ± 0.13 [0.005]		CUSTOMER DRAWING			
4 PLC ± -					
ANGLES ± -					
MATERIAL					
FINISH					