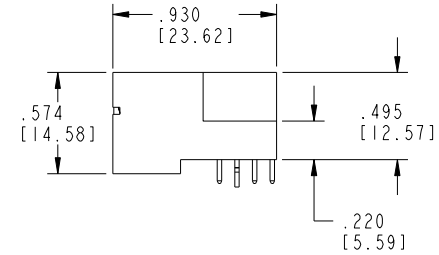
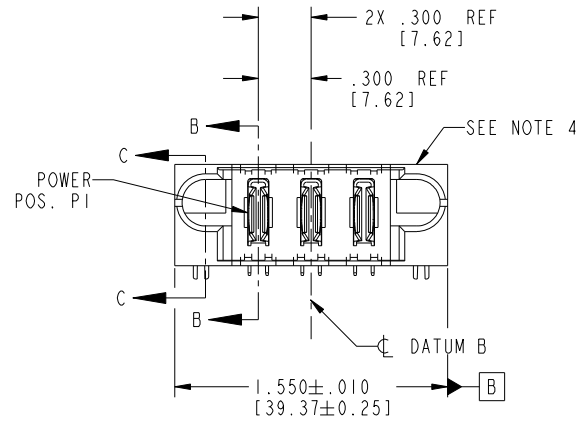


Tous droits strictement reserves. Reproduction ou communication a des tiers interdite sous quelque forme que ce soit sans autorisation écrite du propriétaire. Propriete de c FCI. Droits de reproduction FCI.



All rights strictly reserved. Reproduction or issue to third parties in any form whatever is not permitted without written authority from the proprietor. Property of FCI. Copyright FCI.

PRODUCT NO.	POWER				
	E1	P1	P2	P3	E2
51939-081					



CODE	DIM "M" MATING LENGTH	CONTACT TYPE
PA	N/A [N/A]	POWER
HA	N/A [N/A]	HOLD-DOWN

mat'l code		SEE NOTE 2		tolerances unless otherwise specified		CUSTOMER			
ltr	ecn no.	dr	date	linear	.XX±.01/0.X±0.3	COPY		www.fciconnect.com	
A	V03-1078	TAB	09/30/03		.XXX±.005/0.XX±0.13	projection		title 3P	
B	DG05-0056	LH	03/29/05		.XXX±.0020/0.XXX±0.051	INCH/MM		RIGHT ANGLE SOLDER HEADER	
C	DG09-0003	WD	01/04/09	angles	0°±2°	scale 1:1		product family PwrBlade code 213	
				dr	T. BRUNGARD 09/30/03			size dwg no 51939-081 sheet 1 of 4	
				enr	M. GRAY 09/30/03				
				chr	M. GRAY 09/30/03				
				appd	M. GRAY 09/30/03				
sheet index	revision sheet	C 1	C 2	C 3	C 4				

cage code 22526

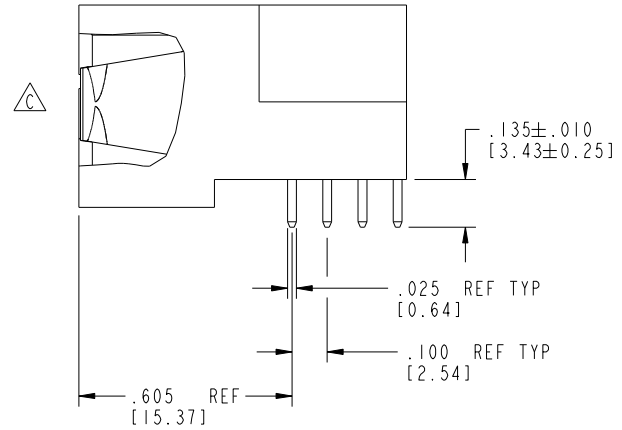
Pro/E

Tous droits strictement reserves. Reproduction ou communication a des tiers interdite sous quelque forme que ce soit sans autorisation ecrite du proprietaire. Propriete de c FCI. Droits de reproduction FCI.

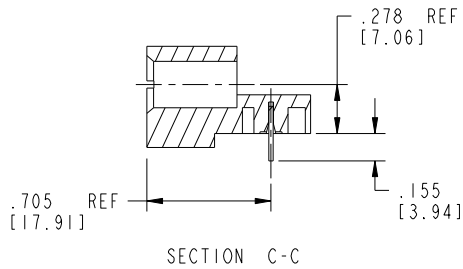


All rights strictly reserved. Reproduction or issue to third parties in any form whatsoever is not permitted without written authority from the proprietor. Property of FCI. Copyright FCI.

PRODUCT NUMBER
51939-081



BROKEN-OUT SECTION B-B
SCALE 2:1



SECTION C-C

mat'l code				SEE NOTE 2	tolerances unless otherwise specified		CUSTOMER				www.fciconnect.com		
ltr	ecn no.	dr	date	linear	.XX±.01/0.X±0.3		COPY		title				
C					.XXX±.005/0.XX±0.13		projection		3P				
					.XXX±.0020/0.XXX±0.051				RIGHT ANGLE SOLDER HEADER				
				angles	0°+2°		INCH/MM		product family		code		
				dr	T. BRUNGARD	09/30/03	scale		PwrBlade		213		
				enr	M. GRAY	09/30/03	1:1		size		sheet		
				chr	M. GRAY	09/30/03	A		dwg no		2 of 4		
				appd	M. GRAY	09/30/03	A		51939-081				
sheet index		revision sheet											

cage code 22526

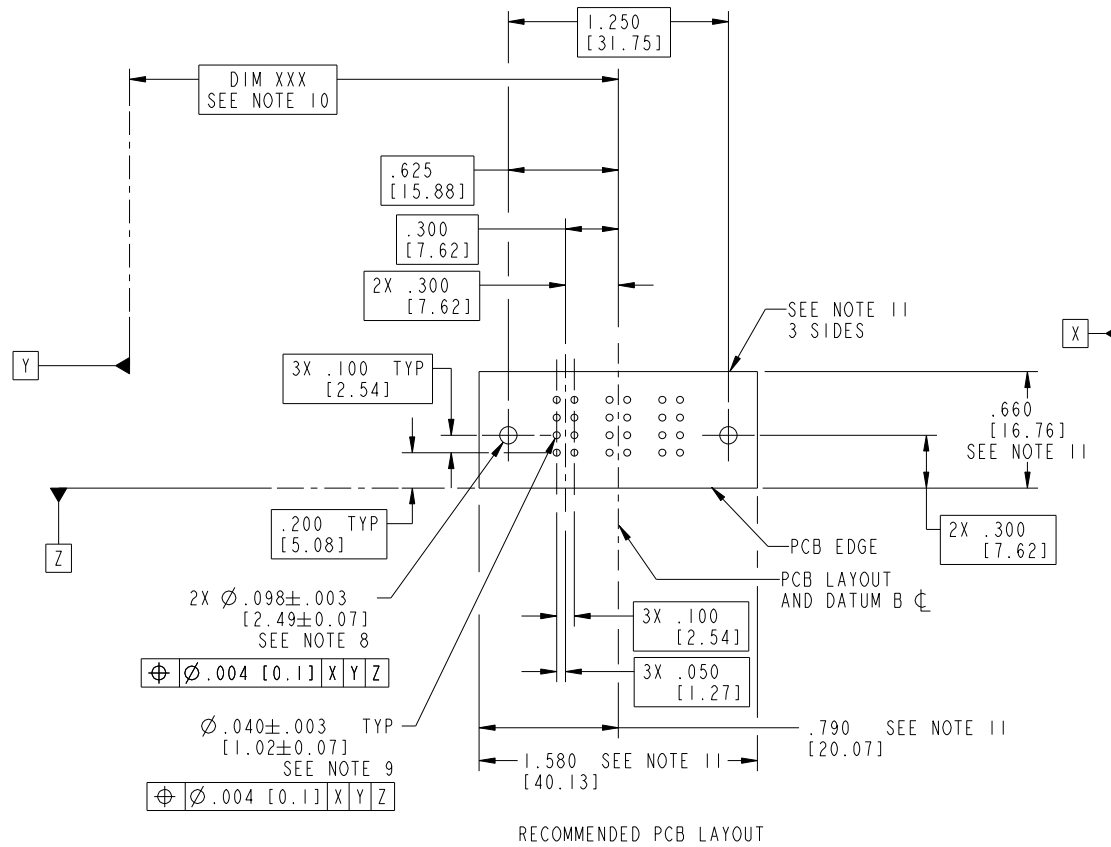
Pro/E

Tous droits strictement reserves. Reproduction ou communication a des tiers interdicte sous quelque forme que ce soit sans autorisation ecrite du proprietaire. Propriete de c FCI. Droits de reproduction FCI.



All rights strictly reserved. Reproduction or issue to third parties in any form whatever is not permitted without written authority from the proprietor. Property of FCI. Copyright FCI.

PRODUCT NUMBER
51939-081



RECOMMENDED PCB LAYOUT

mat'l code		SEE NOTE 2		tolerances unless otherwise specified		CUSTOMER		 www.fciconnect.com	
lfr	ecn no.	dr	date	linear	.XX±.01/0.X±0.3	COPY		title	
C					.XXX±.005/0.XX±0.13	projection		3P	
				angles	.XXX±.002/0.XXX±0.051			RIGHT ANGLE SOLDER HEADER	
				dr	0°+2°	INCH/MM		product family	
				enr	T. BRUNGARD 09/30/03	scale		PwrBlade	
				chr	M. GRAY 09/30/03	1:1		code	
				appd	M. GRAY 09/30/03	A		213	
sheet index		revision sheet				size		dwg no	
						A		51939-081	
						3 of 4			

cage code 22526

Tous droits strictement reserves. Reproduction ou communication a des tiers interdite sous quelque forme que ce soit sans autorisation écrite du propriétaire. Propriete de c FCI. Droits de reproduction FCI.



All rights strictly reserved. Reproduction or issue to third parties in any form whatever is not permitted without written authority from the proprietor. Property of FCI. Copyright FCI.

PRODUCT NUMBER
51939-081

NOTES:

1. DIMENSIONS AND TOLERANCES ARE IN ACCORDANCE WITH ASME Y14.5M, 1994 UNLESS OTHERWISE SPECIFIED.

CONNECTOR NOTES:

- 2. HOUSING MATERIAL: UL 94 V-0 GLASS FILLED HIGH-TEMP THERMOPLASTIC
POWER CONTACT MATERIAL: COPPER ALLOY
SIGNAL PIN MATERIAL: COPPER ALLOY
- 3. SEE ITEM 1 & 2 IN PRINT 10064183 FOR PLATING SPEC OF 51939-081 AND 51939-081LF RESPECTIVELY.
- 4. MANUFACTURER'S NAME, P/N, AND DATE CODE TO APPEAR ON THIS SURFACE.
- 5. PRODUCT SPECIFICATION GS-12-149.
APPLICATION SPECIFICATION BUS-20-067.
- 6. PACKAGED IN TRAYS.

PCB NOTES:

- 7. ALL HOLE DIAMETERS ARE FINISHED HOLE SIZE.
- 8. MOUNTING HOLES, WHERE APPLICABLE, ARE UNPLATED.
- 9. $\varnothing .0453 \pm .0010$ [1.151 \pm 0.025] DRILLED HOLES PLATED WITH .0003 [0.008] MIN SnPb OVER .001 [0.03] TO .003 [0.08] Cu PLATING TO ACHIEVE $\varnothing .040 \pm .003$ [1.02 \pm .07] HOLE.
- 10. "DIM XXX" TO BE DETERMINED BY THE CUSTOMER.
- 11. CONNECTOR KEEP-OUT ZONE.
- 12. A \triangle SYMBOL WILL BE NEXT TO ANY DIMENSION, VIEW, OR NOTE WHICH HAS BEEN MODIFIED WITH THE CURRENT DRAWING REVISION.

mat'l code		SEE NOTE 2		tolerances unless otherwise specified		CUSTOMER				www.fciconnect.com	
ltr	ecn no.	dr	date	linear	.XX±.01/0.X±0.3	COPY		projection		title	
C					.XXX±.005/0.XX±0.13					3P	
				angles	.XXX±.0020/0.XXX±0.051					RIGHT ANGLE SOLDER HEADER	
					0°±2°					product family	
				dr	T. BRUNGARD 09/30/03	INCH/MM		PwrBlade		code	
				enr	M. GRAY 09/30/03	scale		size		213	
				chr	M. GRAY 09/30/03	1:1		dwg no		sheet	
				appd	M. GRAY 09/30/03			A		4 of 4	
sheet index		revision sheet									

cage code 22526