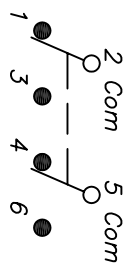


RECOMMENDED P.C.B. LAYOUT

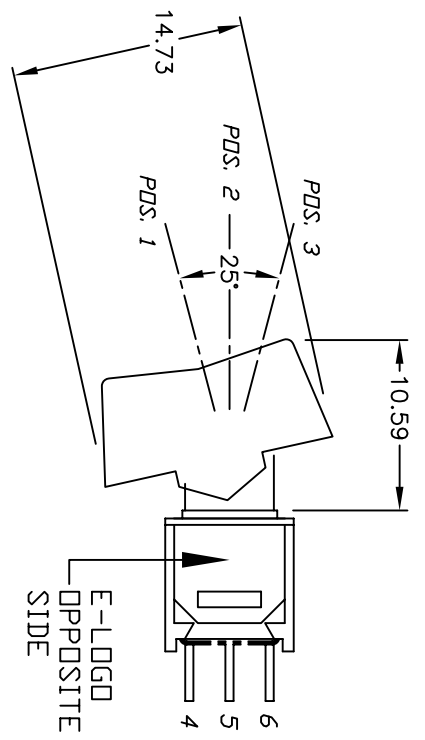


CIRCUIT: 2PDT

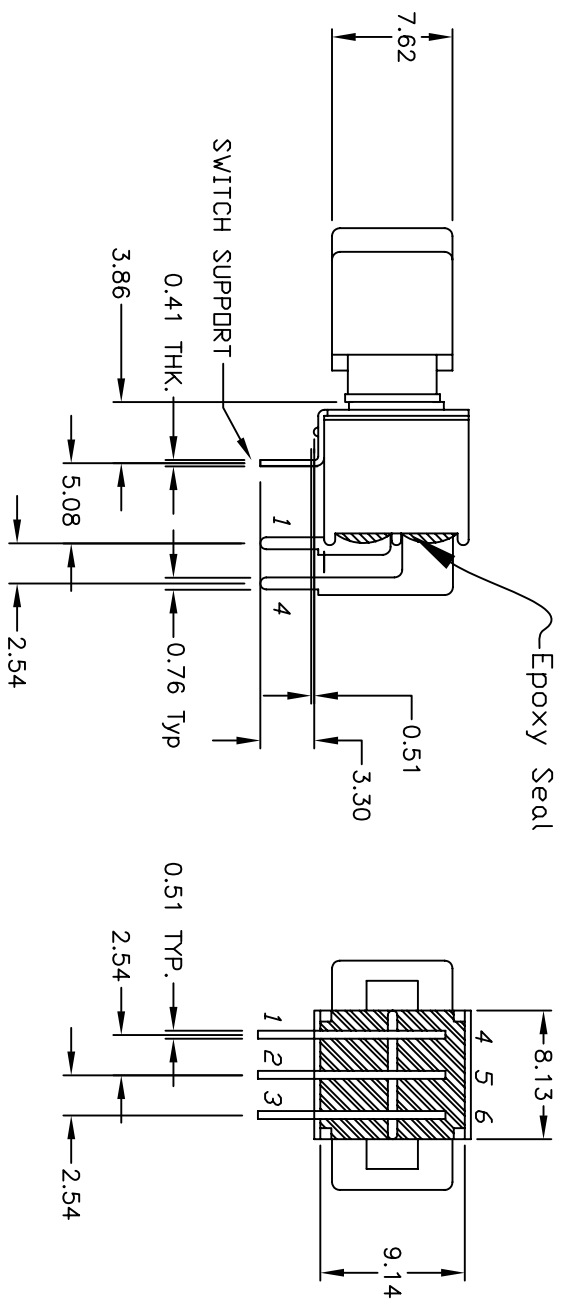
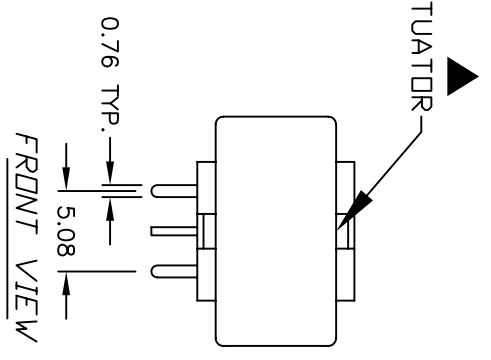
SWITCH FUNCTION			
PDS. 1	PDS. 2	PDS. 3	
			DN
			DPEN
2-3,5-6	1A@ 250VAC.	2-1,5-4	

NOTES:

1. ALL DIMENSIONS IN MM
2. GENERAL TOLERANCE: X.X=±0.4  
X.XX=±0.25
3. TERM. NOS. FOR REF. ONLY
4. CONTACT RATING: 3A@ 120VAC. OR 28VDC:  
1A@ 250VAC.
5. FIXED TERMINAL & MOVING CONTACT:  
COPPER ALLOY w/ Silver plate
6. ELECTRIC LIFE: 30,000 make-and-break cycles  
at full load.
7. INSULATION RESISTANCE: 1,000 M ohm min.
8. DIELECTRIC STRENGTH: 1,000 V RMS @sea level.
9. OPERATING TEMP.: -30°C to +85°C
10. 2002/95/EC (ROHS) COMPLIANT



BLACK ACTUATOR



C	17449	REMOVED MARKING ON ACTUATOR	7/9/07	TN
B	12341	REVISED AND REDRAWN	8/2/02	CJB
REV.	ECN No.	DESCRIPTION	DATE	CHKD

TITLE		SCALE		DATE	DR	DWG	REV
400MDP1R1BLKM6QE		2:1		7/9/07	TN	T421003	C



THE INFORMATION CONTAINED IN THIS DOCUMENT IS PROPRIETARY TO E-SWITCH AND IS NOT TO BE COPIED OR TRANSFERRED