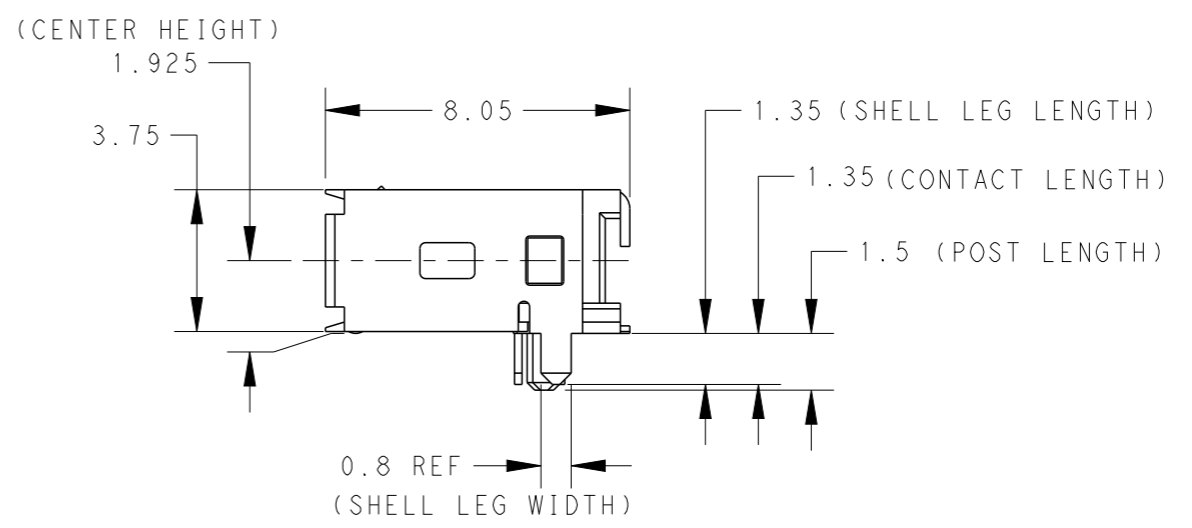
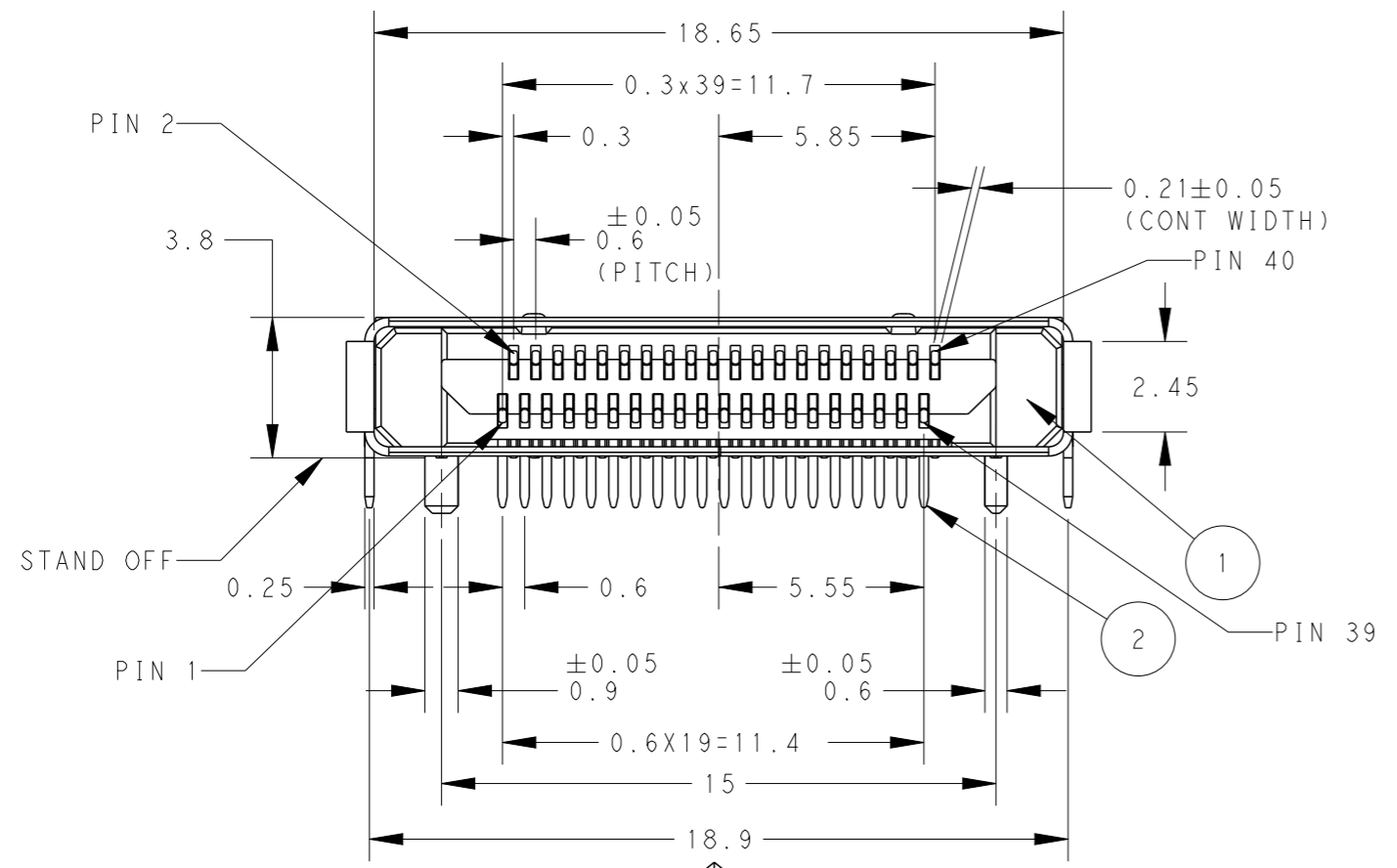
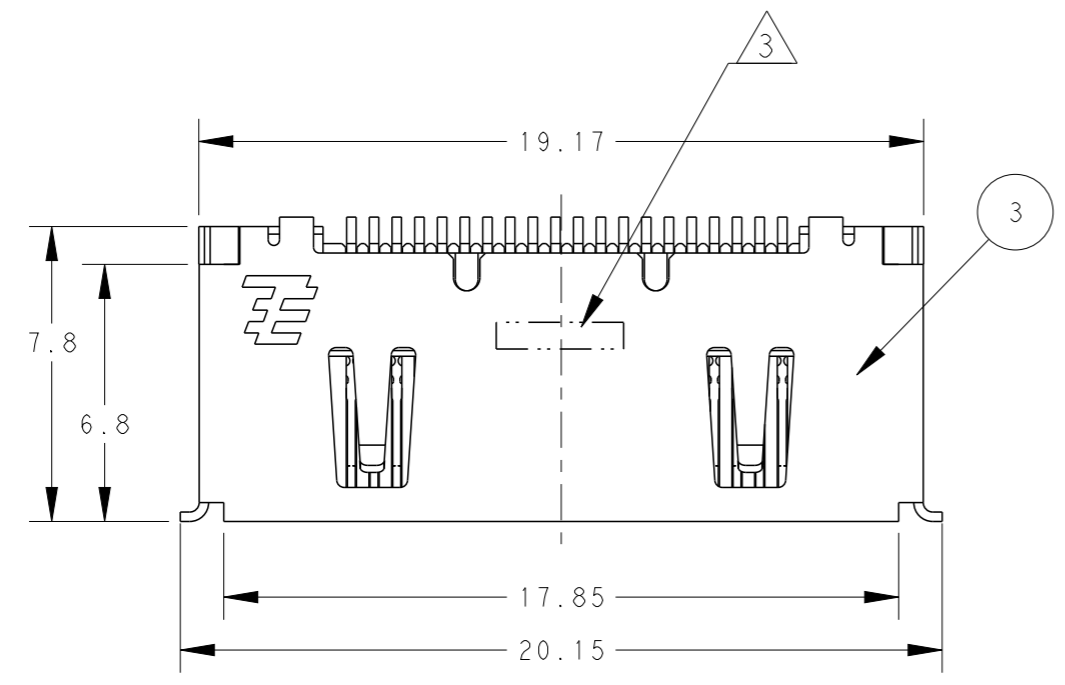
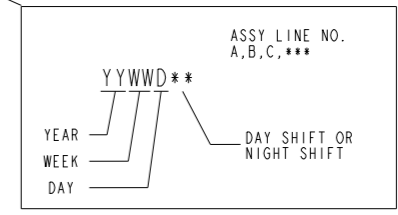


THIS DRAWING IS UNPUBLISHED. RELEASED FOR PUBLICATION 20  
 © COPYRIGHT 20 BY - ALL RIGHTS RESERVED.

LOC	DIST	REVISIONS					
DW		P	LTR	DESCRIPTION	DATE	DWN	APVD
		1		RELEASED	22JUN11	P. H	H. K

2129326-1; AS SHOWN

- ① MATERIAL: HOUSING: THERMO-PLASTIC(UL94V-0, BLACK).  
CONTACT: COPPER ALLOY.  
SHELL: COPPER ALLOY.
- ② FINISH:  
CONTACT: ALL OVER 2um MIN. Ni UNDER PLATING.  
0.38um MIN. Au PLATING ON CONTACT AREA.  
1~3um Tin PLATING ON TINE AREA.  
SHELL: ALL OVER 1.3um MIN. Ni UNDER PLATING.
- ③ DATE CODE



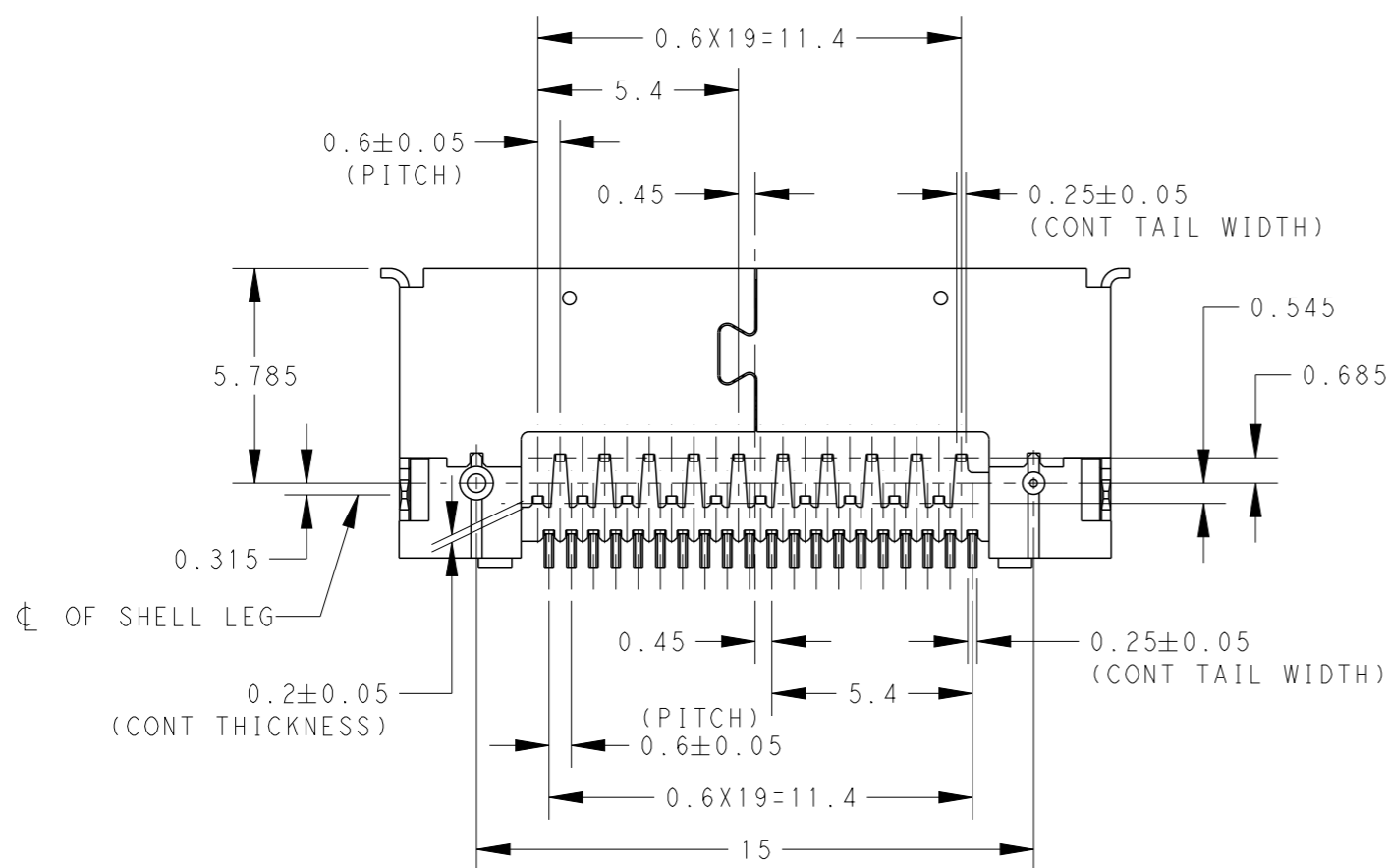
VIEW G

I	SHELL	③
40	CONTACT	②
I	HOUSING	①
Q'TY	NAME	ITEM

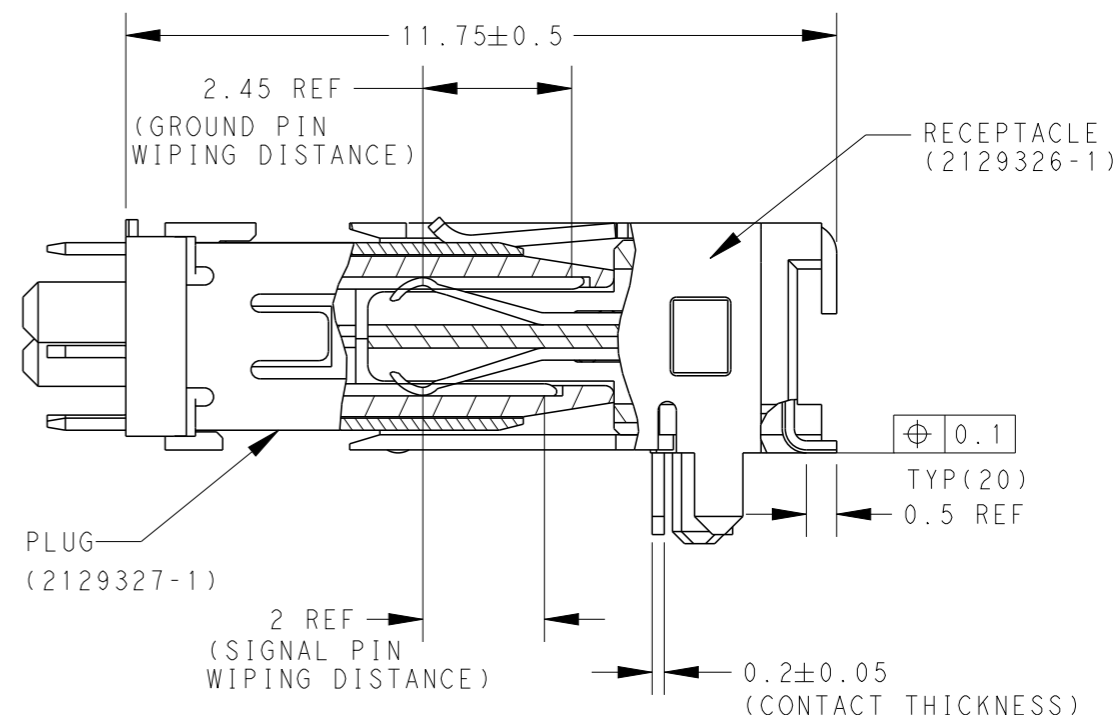
THIS DRAWING IS A CONTROLLED DOCUMENT.		DWN P.HSU 01APR2011	TE Connectivity			
DIMENSIONS: mm		CHK W.CHEN 01APR2011				
TOLERANCES UNLESS OTHERWISE SPECIFIED:		APVD H.KODAMA 01APR2011				
0 PLC ±- 1 PLC ±- 2 PLC ±- ±0.25 3 PLC ±- 4 PLC ±- ANGLES ±3° FINISH -		NAME RECEPTACLE ASSY, 0.6mm PITCH CHAMP DOCKING CONNECTOR, 40POS PRODUCT SPEC - APPLICATION SPEC - WEIGHT 1.44				
MATERIAL -		CUSTOMER DRAWING	SIZE A3	CAGE CODE 00779	DRAWING NO C-2129326	RESTRICTED TO -
		SCALE 5:1	SHEET 1 OF 4	REV A		

LOC	DIST
DW	

REVISIONS					
P	LTR	DESCRIPTION	DATE	DWN	APVD
-	-	SEE SHEET 1	-	-	-



VIEW G



MATING CONDITION

THIS DRAWING IS A CONTROLLED DOCUMENT.		DWN	 TE Connectivity	
DIMENSIONS:		CHK		
mm		APVD		
		PRODUCT SPEC		
TOLERANCES UNLESS OTHERWISE SPECIFIED:		APVD	NAME	
0 PLC	±	PRODUCT SPEC	RECEPTACLE ASSY, 0.6mm PITCH	
1 PLC	±	APPLICATION SPEC	CHAMP DOCKING CONNECTOR, 40POS	
2 PLC	± ±0.25	WEIGHT	SIZE	CAGE CODE
3 PLC	±	CUSTOMER DRAWING	A3	00779
4 PLC	±	SCALE	DRAWING NO	
ANGLES	±3°	SCALE	G-2129326	
FINISH	-	SHEET	2	OF
		OF	4	REV
		REV	A	

4

3

2

1

THIS DRAWING IS UNPUBLISHED.

RELEASED FOR PUBLICATION

20

LOC  
DW

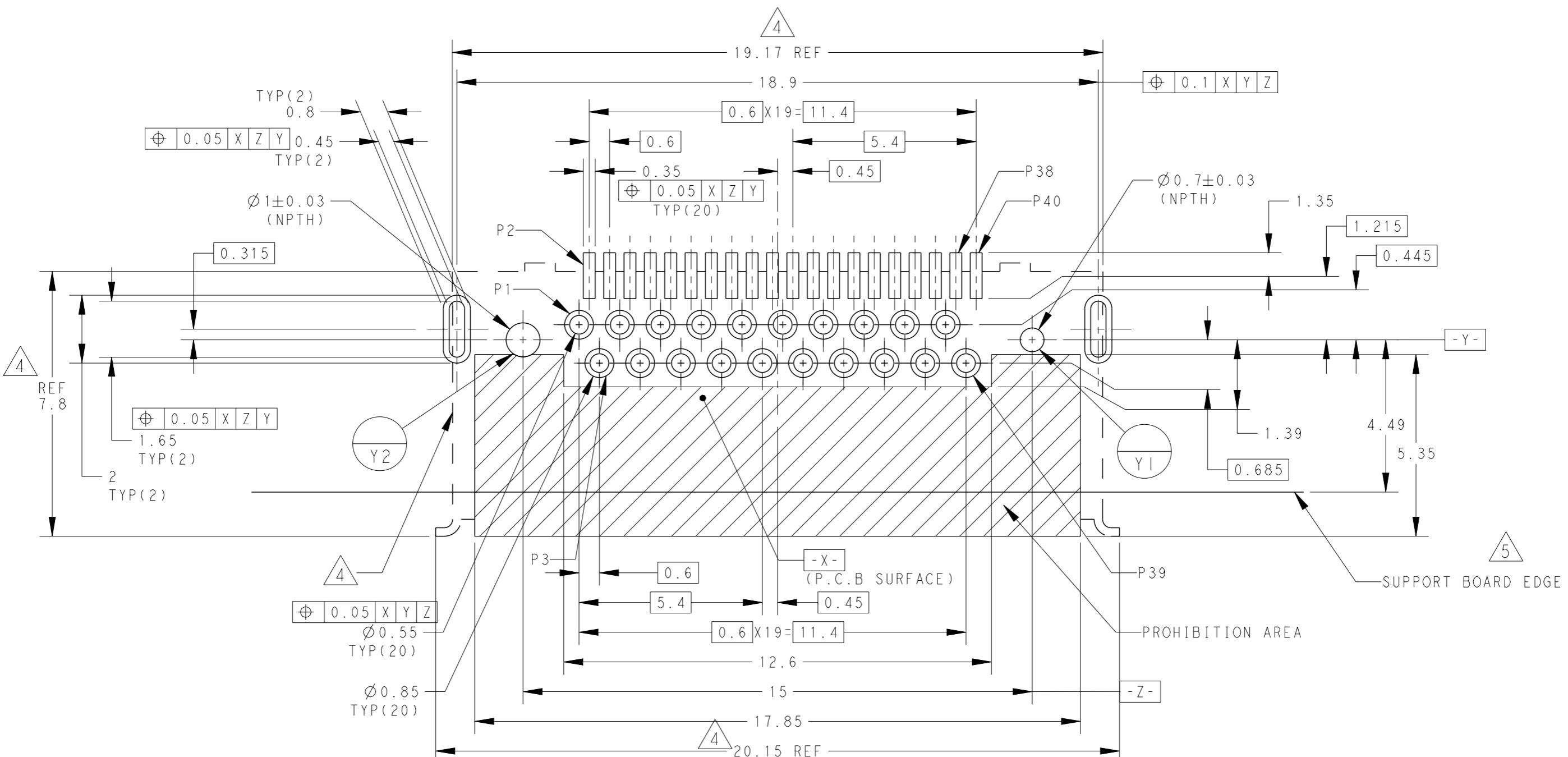
DIST

REVISIONS

© COPYRIGHT 20 BY -

ALL RIGHTS RESERVED.

P	LTR	DESCRIPTION	DATE	DWN	APVD
-	-	SEE SHEET 1	-	-	-



RECOMMENDED P.C. BOARD LAYOUT (TOP VIEW)

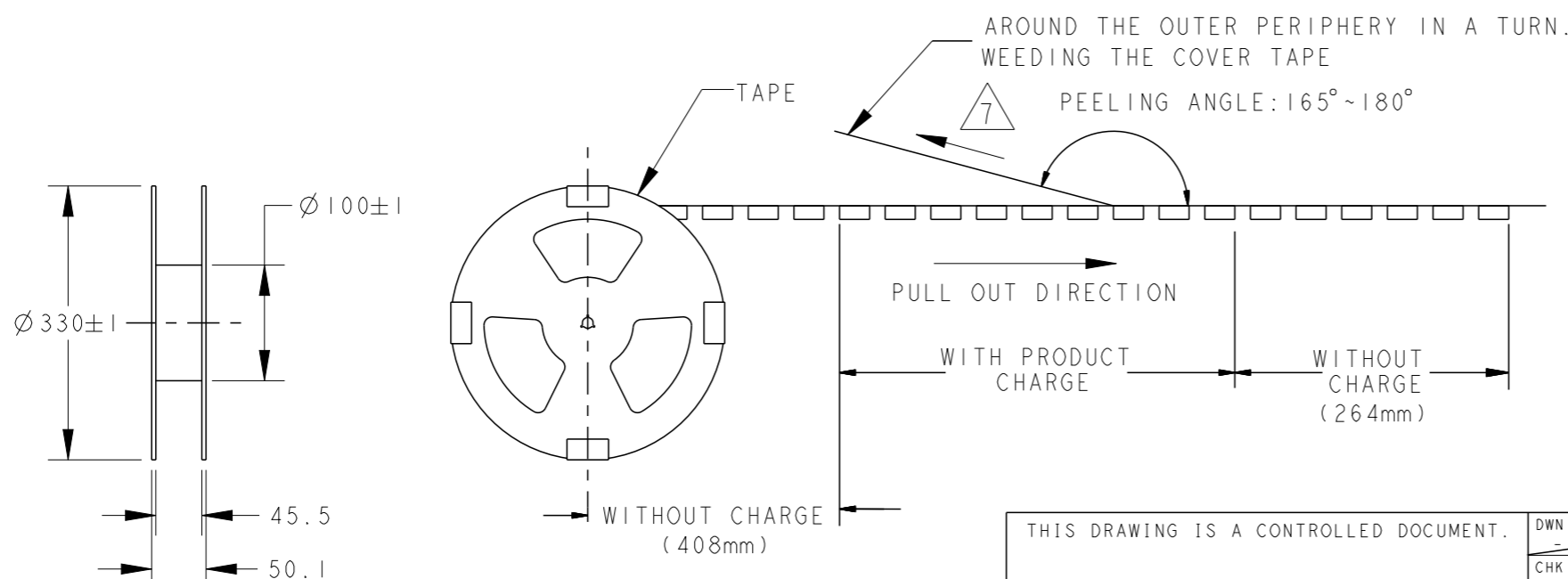
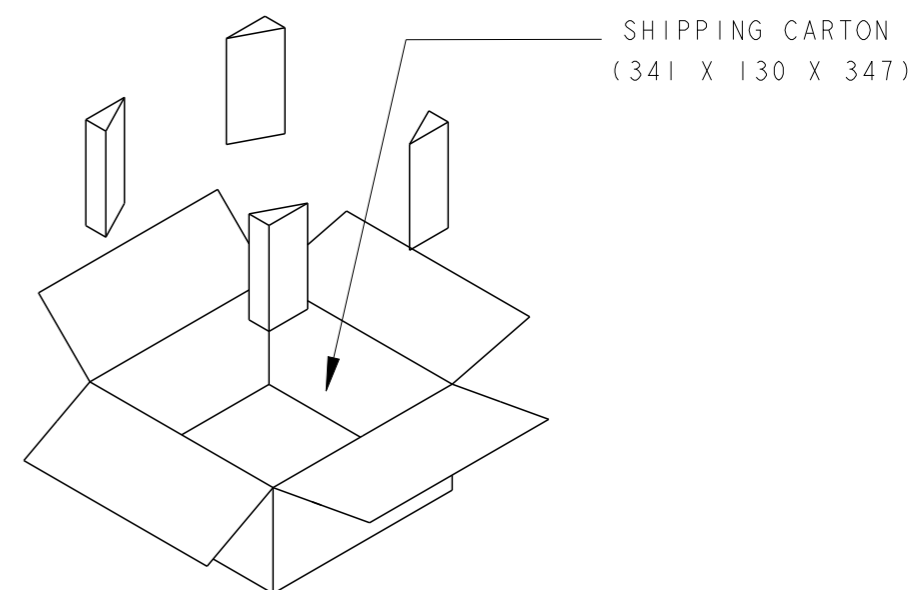
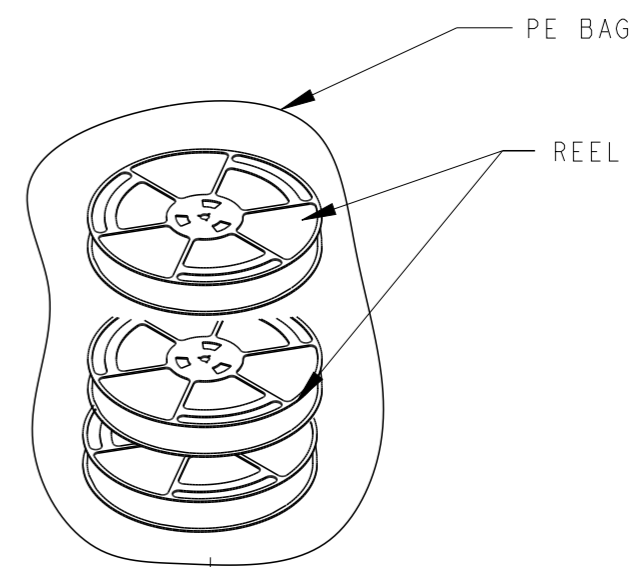
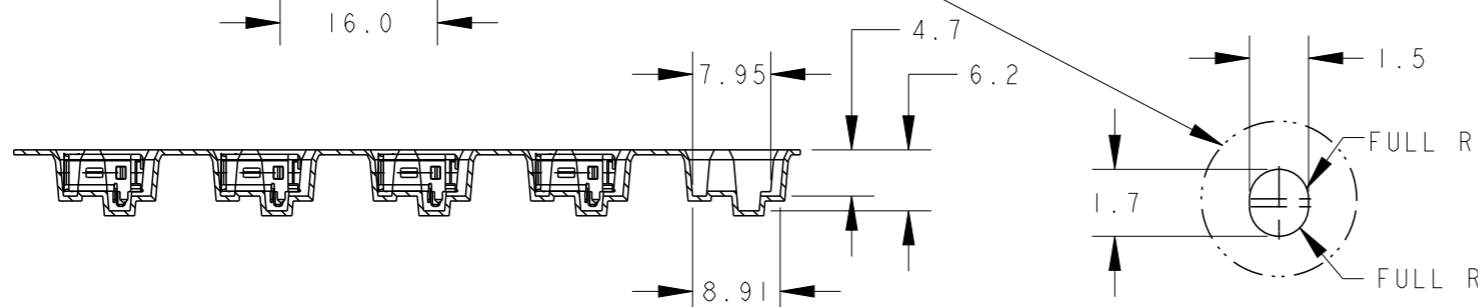
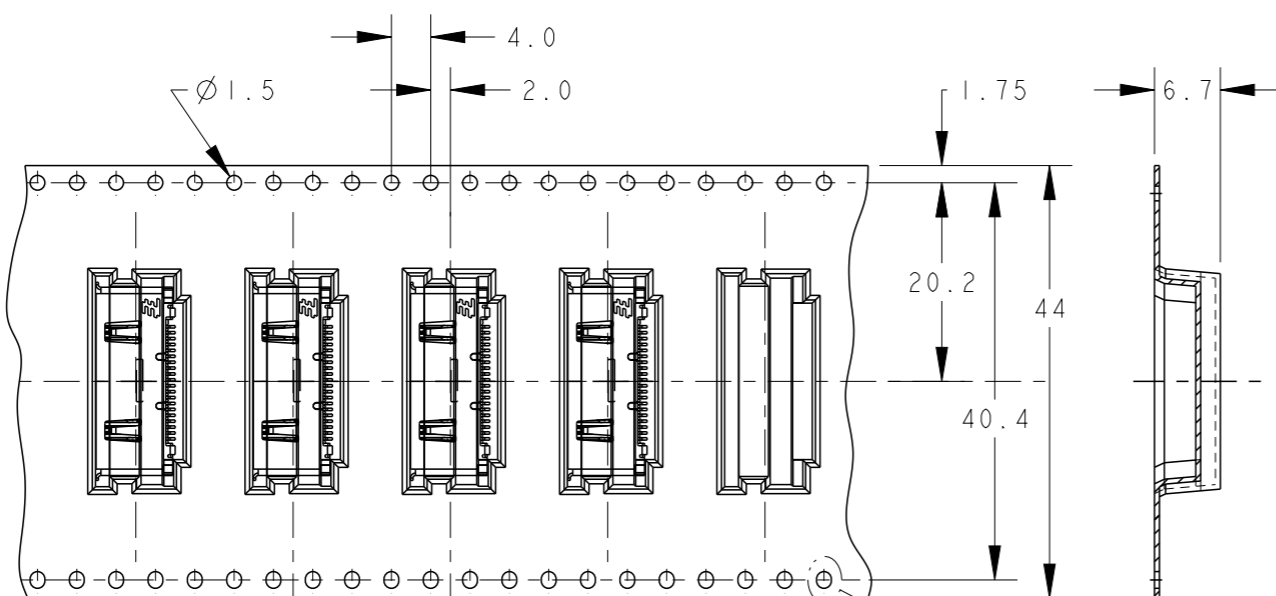
4 CONNECTOR OUTLINE  
5 SUPPORT BOARD EDGE

THIS DRAWING IS A CONTROLLED DOCUMENT.		DWN	TE Connectivity		
DIMENSIONS: mm		CHK			
		APVD			
TOLERANCES UNLESS OTHERWISE SPECIFIED:		PRODUCT SPEC			
0 PLC ± 1 PLC ± ±0.05 2 PLC ± ±0.05 3 PLC ± ±0.05 4 PLC ± ±0.05 ANGLES ±3° FINISH -		APPLICATION SPEC	NAME RECEPTACLE ASSY, 0.6mm PITCH CHAMP DOCKING CONNECTOR, 40POS		
MATERIAL		WEIGHT	SIZE A3	CAGE CODE 00779	DRAWING NO C-2129326
		CUSTOMER DRAWING	SCALE 5:1	SHEET 3	OF 4
				REV A	

LOC DW DIST

REVISIONS

P	LTR	DESCRIPTION	DATE	DWN	APVD
-	-	SEE SHEET 1	-	-	-



6. PACKING MATERIAL:  
 CARRY TAPE: PS; COLOR: BLACK.  
 COVER TAPE: PET; COLOR: CLEAR.  
 PEELING STRENGTH OF COVER TAPE: 0.2N~1.2N.

P/N	PCS/TAPE	REELS/CARTON	TOTAL QUANTITY
2129326-1	600	2	1200

THIS DRAWING IS A CONTROLLED DOCUMENT.

DIMENSIONS:	TOLERANCES UNLESS OTHERWISE SPECIFIED:
mm	
Ø PLC	±
1 PLC	±
2 PLC	± ±0.5
3 PLC	±
4 PLC	±
ANGLES	±3°
MATERIAL	FINISH

DWN	-
CHK	-
APVD	-
PRODUCT SPEC	-
APPLICATION SPEC	-
WEIGHT	-
CUSTOMER DRAWING	-

**STE** TE Connectivity

NAME: RECEPTACLE ASSY, 0.6mm PITCH CHAMP DOCKING CONNECTOR, 40POS

SIZE	CAGE CODE	DRAWING NO	RESTRICTED TO
A3	00779	C-2129326	-

SCALE: 5:1 SHEET 4 OF 4 REV A