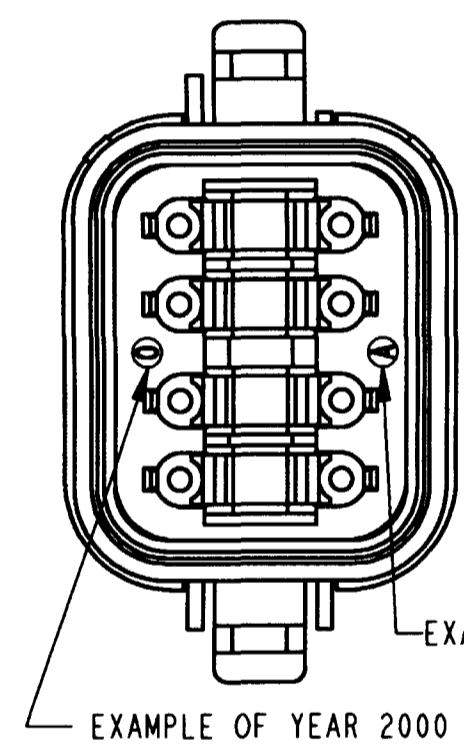
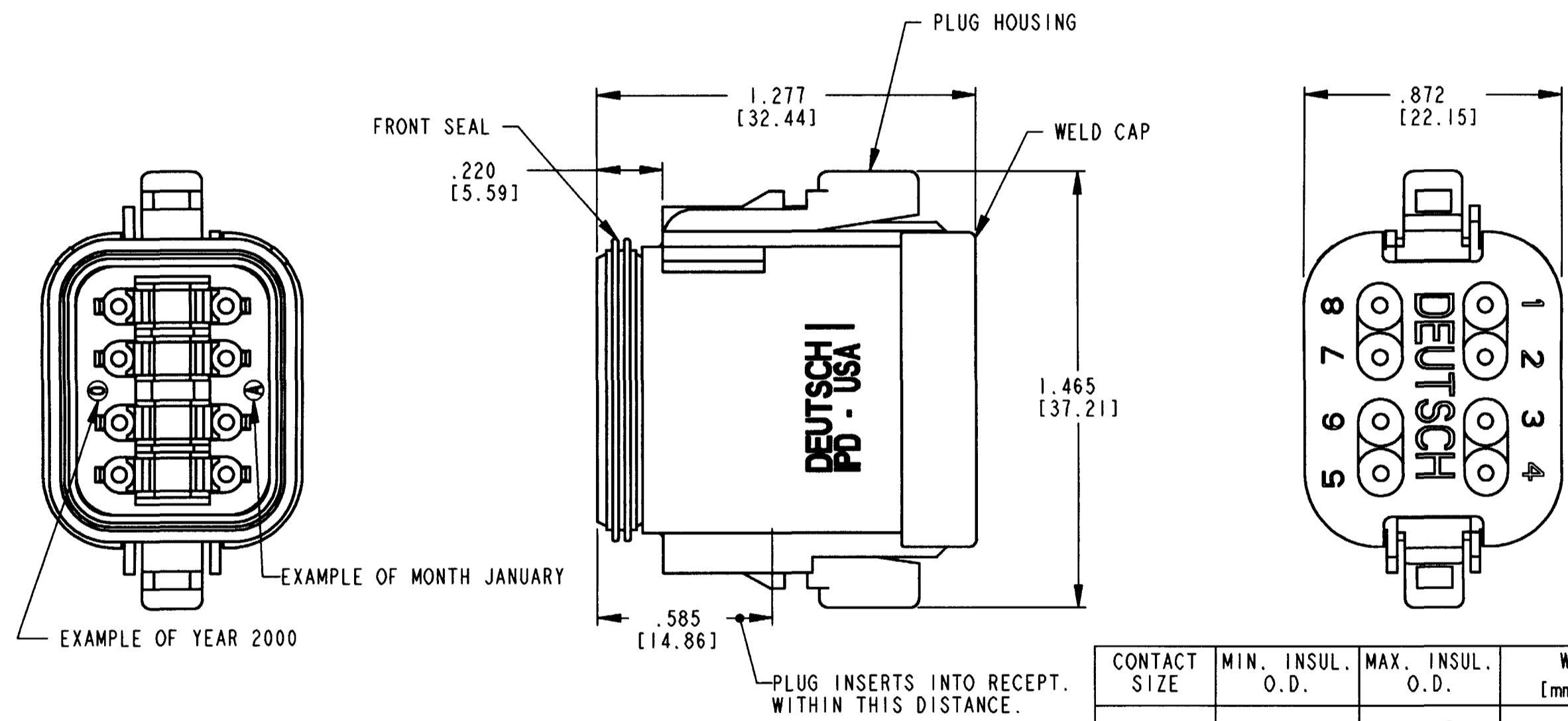


REV B DT06-08SB-EP06

REVISIONS			
SYM	DESCRIPTION	DATE	APPROVED
NC	NEW RELEASE PER. E.O. P15118	1-9-97	R.D.R
A	REVISED PER E.O. P15827	12/31/98	R.D.R.
B	REVISED PER E.O. P17536	1-9-02	RDR



CONTACT SIZE	MIN. INSUL. O.D.	MAX. INSUL. O.D.	WIRE RANGE [mm ²] REF ONLY
16	.088 [2.24]	.145 [3.68]	14-20 AWG [2.0-0.5]

5. THIS PLUG MATES WITH DT04-08PB-E005, DT13-08PB, DT15-08PB RECEPTACLE.
4. FOR CONTACT AND WIRE PERFORMANCE AND APPLICATION CHARACTERISTICS SEE ENVELOPE DRAWING 0425-015-0000 AND 0425-017-0000.
3. W8S-P012 WEDGE LOCK SOLD SEPARATELY.
2. DIMENSION TOLERANCE: ±.025 [0.64].
- NOTES: 1. DIMENSIONS ARE IN INCHES [METRIC].

SIGNATURE & DATE	
DR	H. TRAN AUG-20-96
CHK	<i>[Signature]</i> 12/19/01
PE	<i>[Signature]</i> 12/5/01
APPD	<i>[Signature]</i> 12-10-01
SCALE	WT

8 WAY PLUG
KEY ARR. -B-
COLOR: BLACK
DT SERIES

ENVELOPE

CP MATL. CODE

The Deutsch Company
DEUTSCH I.P.D.
3850 INDUSTRIAL AVE.
HEMET, CALIF. 92545

B DT06-08SB-EP06

DWG SIZE 11139 SHEET 1 OF 1