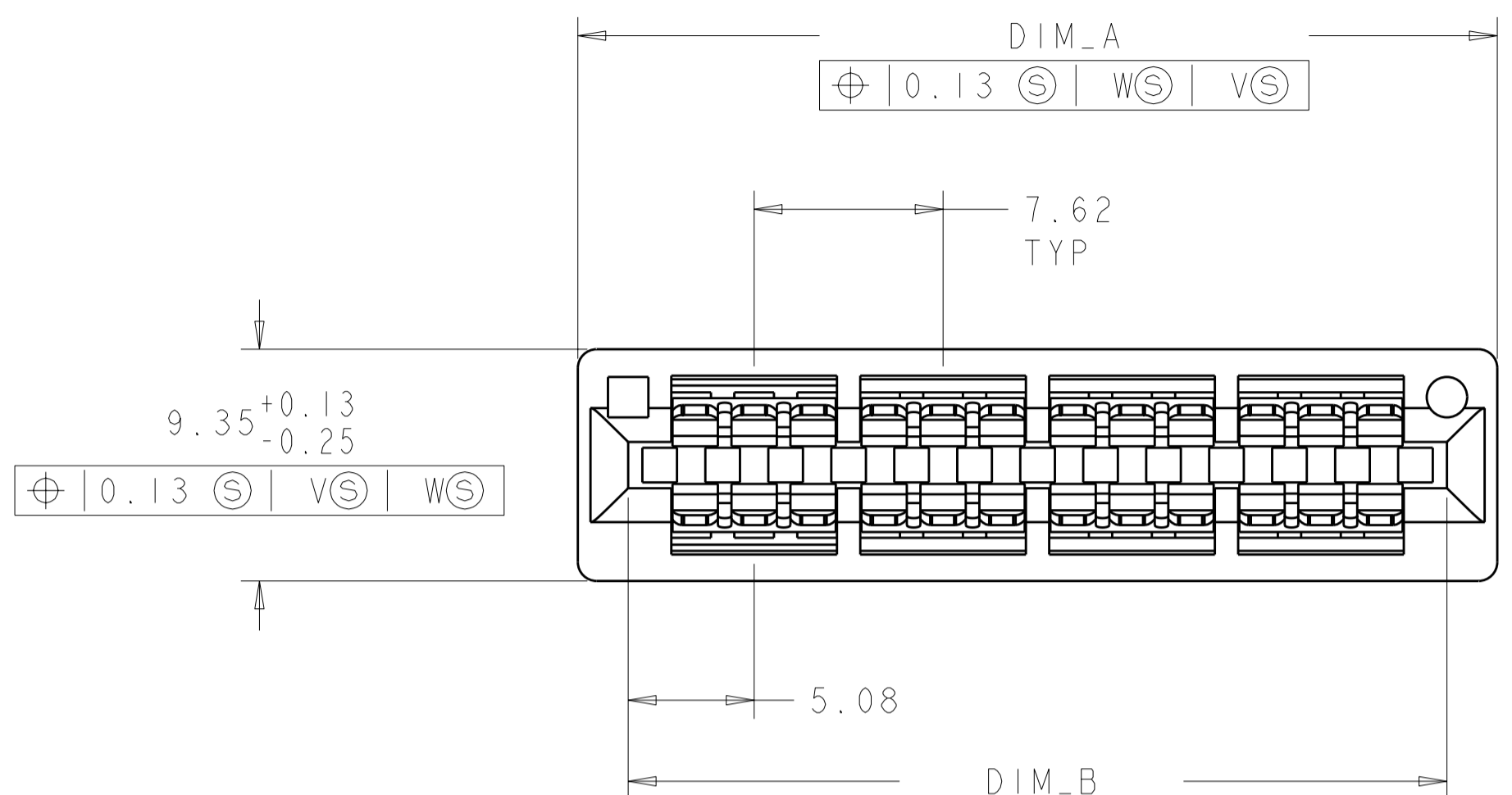


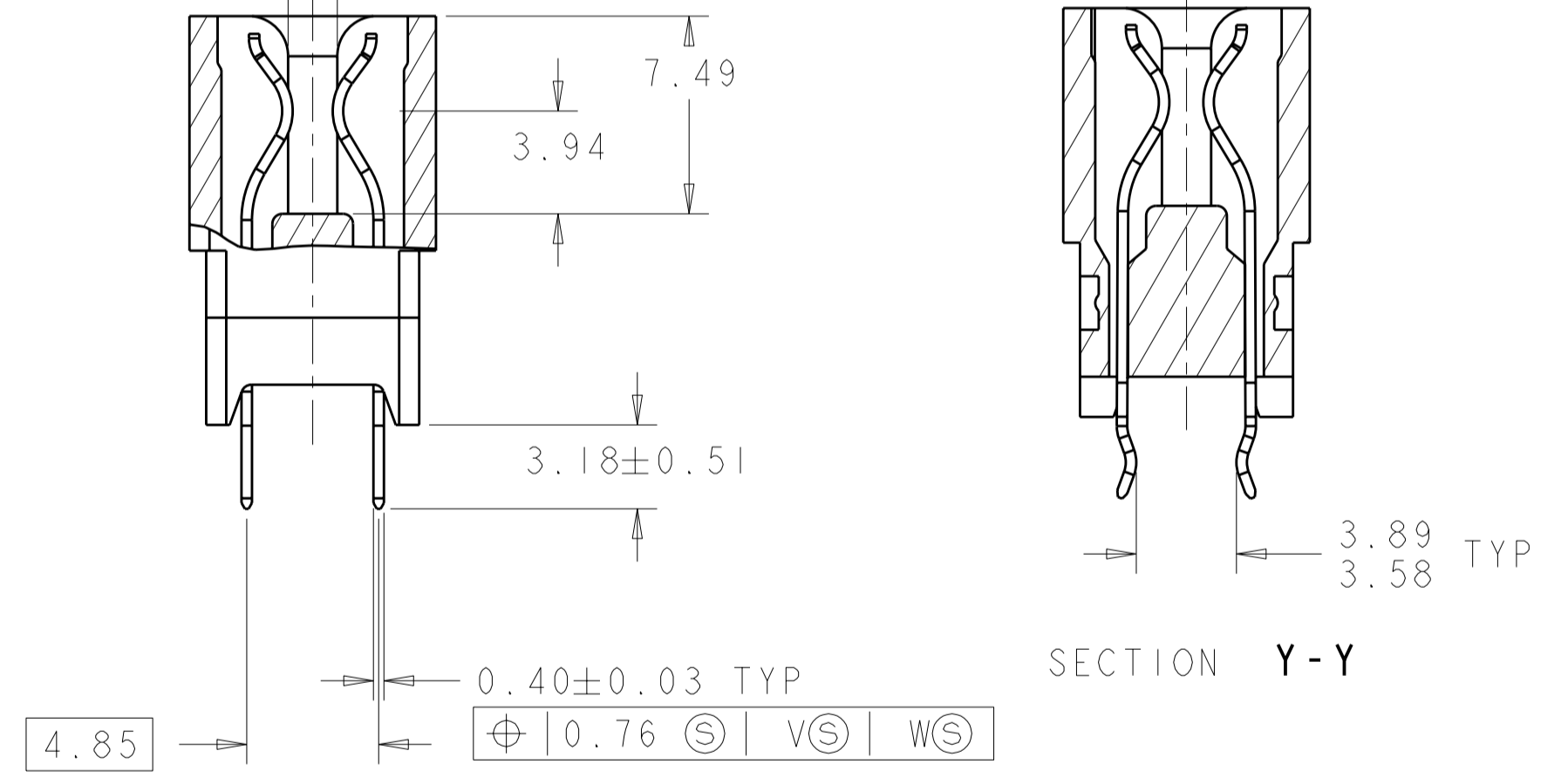
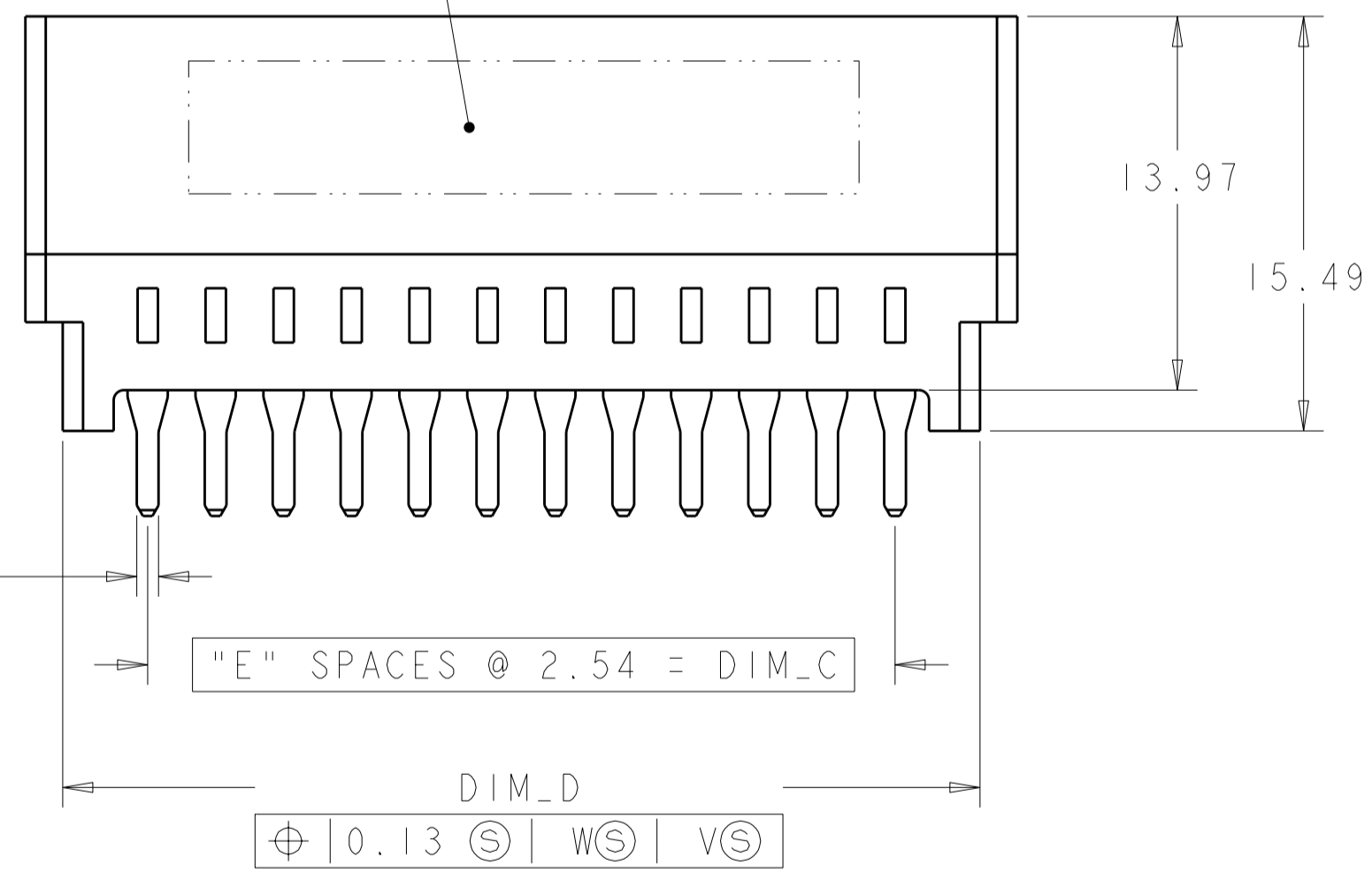
THIS DRAWING IS UNPUBLISHED. RELEASED FOR PUBLICATION 20
 © COPYRIGHT 20 BY TYCO ELECTRONICS CORPORATION. ALL RIGHTS RESERVED.

LOC		DIST		REVISIONS			
P	LTR	DESCRIPTION	DATE	DWN	APVD		
GP	00	A	RELEASED	24JUL2008	RG	AF	
		AI	REV PER ECO-09-004901	27FEB2009	RG	SM	
		B	REV PER ECO-09-006223	12MAR2009	RG	MP	



- HOUSING: GLASS FILLED POLYESTER, BLACK
CONTACT: HIGH CONDUCTIVITY COPPER ALLOY.
 - NICKEL PLATE .00127 (.000050) MIN - ALL OVER
MATTE TIN PLATE .00254 (.000100) MIN - SOLDER POSTS.
GOLD PLATE .00038 [.000015] - IN MATING AREA.
- 3 PART NUMBER AND DATE CODE MARKED IN APPROXIMATE AREA AS SHOWN, EITHER SIDE.
- 4 SEE TYCO ELECTRONICS APPLICATION SPEC. 114-13018 FOR PCB DETAILS.

CARD SLOT ACCEPTS
1.37 - 1.78
PRINTED CIRCUIT BOARD
-V-



P2, P3, P25, P26 P29, P30, P52, P53	60.96	8	70.66	26	72.39	66.04	71.12	75.18	9	2057355-2
N/A	22.86	3	32.56	11	34.29	27.94	33.02	37.08	4	2057355-1
BOARD RETENTION FEATURE LOCATION	DIM_H	"G"	DIM_F	"E"	DIM_D	DIM_C	DIM_B	DIM_A	NO OF POSN.	PART NUMBER

THIS DRAWING IS A CONTROLLED DOCUMENT FOR TYCO ELECTRONICS CORPORATION. IT IS SUBJECT TO CHANGE AND THE CONTROLLING ENGINEERING ORGANIZATION SHOULD BE CONTACTED FOR THE LATEST REVISION.

DWN: R. GRZYBOWSKI 24 JUL 2008
 CHK: A. FRANTUM 24 JUL 2008
 APVD: M. PERCHERKE 24 JUL 2008

Tyco Electronics
Harrisburg, PA 17105-3608

NAME: CONNECTOR ASSEMBLY SEC II, DUAL POSITION

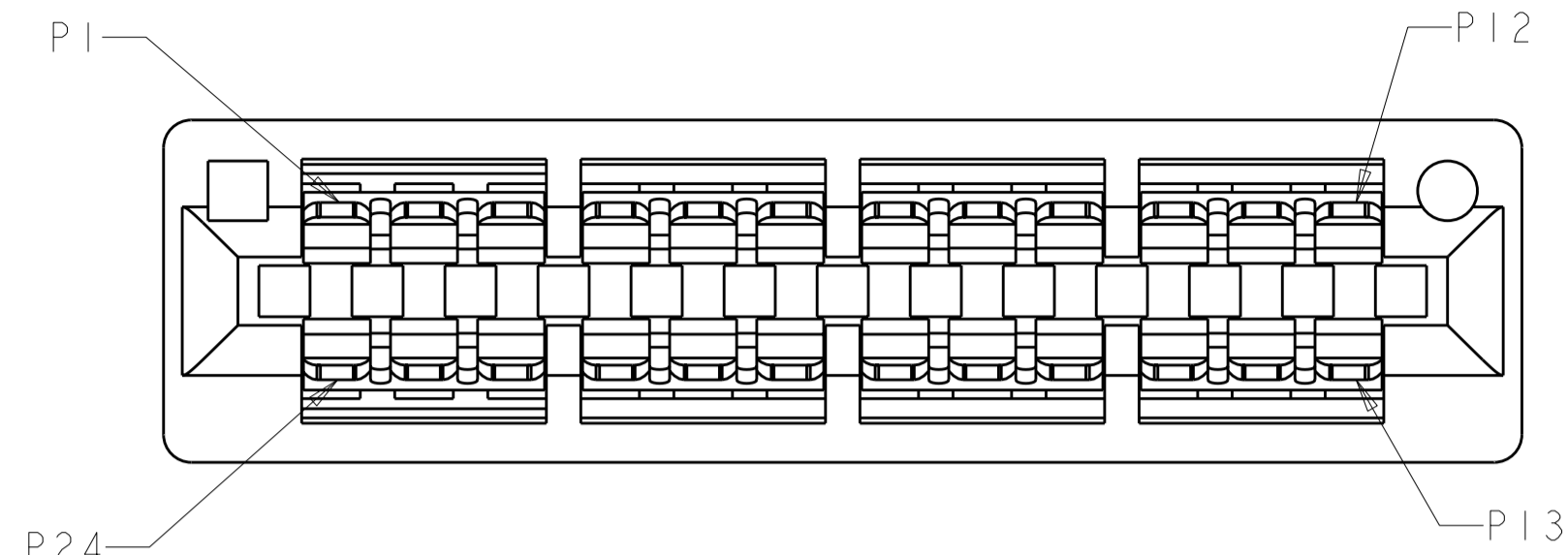
PRODUCT SPEC: 108-2202
 APPLICATION SPEC: 114-13018

SIZE: A2 CAGE CODE: 00779 DRAWING NO: 2057355 RESTRICTED TO: -
 WEIGHT: - SCALE: 4:1 SHEET 1 OF 3 REV B

CUSTOMER DRAWING

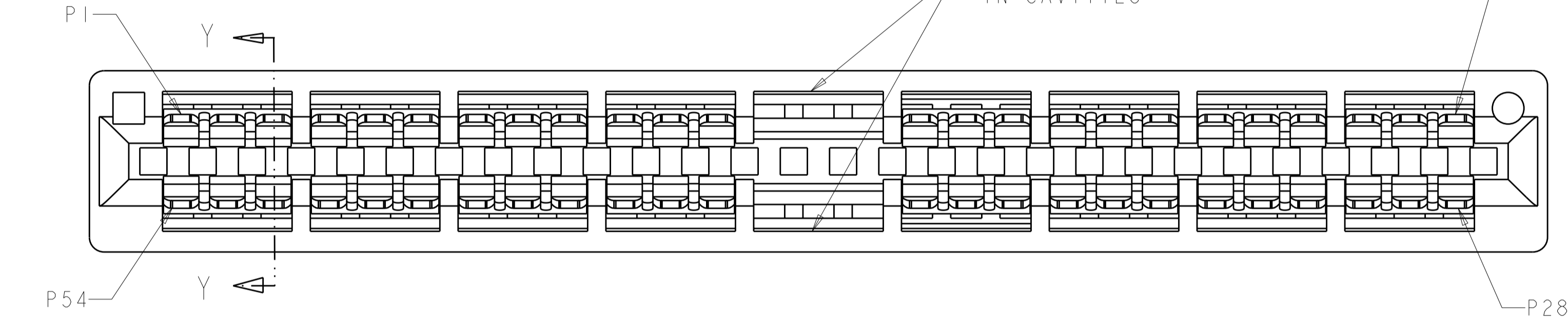
THIS DRAWING IS UNPUBLISHED. RELEASED FOR PUBLICATION 20
 © COPYRIGHT 20 BY TYCO ELECTRONICS CORPORATION. ALL RIGHTS RESERVED.

LOC	DIST	REVISIONS					
GP	00	P	LTR	DESCRIPTION	DATE	DWN	APVD
		-		SEE SHEET 1			



2057355-1

NO CONTACTS LOADED IN CAVITIES



2057355-2

<small>THIS DRAWING IS A CONTROLLED DOCUMENT FOR TYCO ELECTRONICS CORPORATION IT IS SUBJECT TO CHANGE AND THE CONTROLLING ENGINEERING ORGANIZATION SHOULD BE CONTACTED FOR THE LATEST REVISION.</small>		DWN 24 JUL 2008 <u>R. GRZYBOWSKI</u> CHK 24 JUL 2008 <u>A. FRANTUM</u> APVD 24 JUL 2008 <u>M. PERCHERKE</u>	Tyco Electronics Harrisburg, PA 17105-3608
DIMENSIONS: mm	TOLERANCES UNLESS OTHERWISE SPECIFIED: 0 PLC ±- 1 PLC ±- 2 PLC ±.13 3 PLC ±- 4 PLC ±- ANGLES ±2 FINISH	PRODUCT SPEC - APPLICATION SPEC - WEIGHT -	NAME CONNECTOR ASSEMBLY SEC II, DUAL POSITION -
MATERIAL	-	CUSTOMER DRAWING	SIZE A200779
		SCALE 4:1	DRAWING NO C-2057355 RESTRICTED TO -
		SHEET 2 OF 3	REV B

4

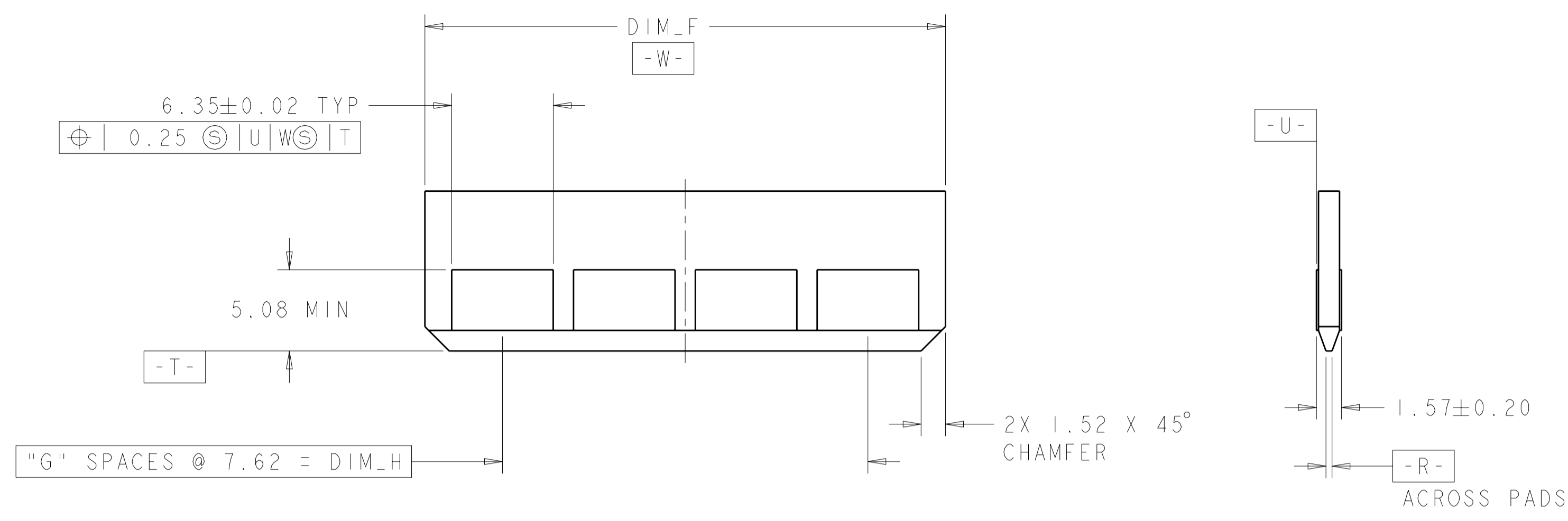
3

2

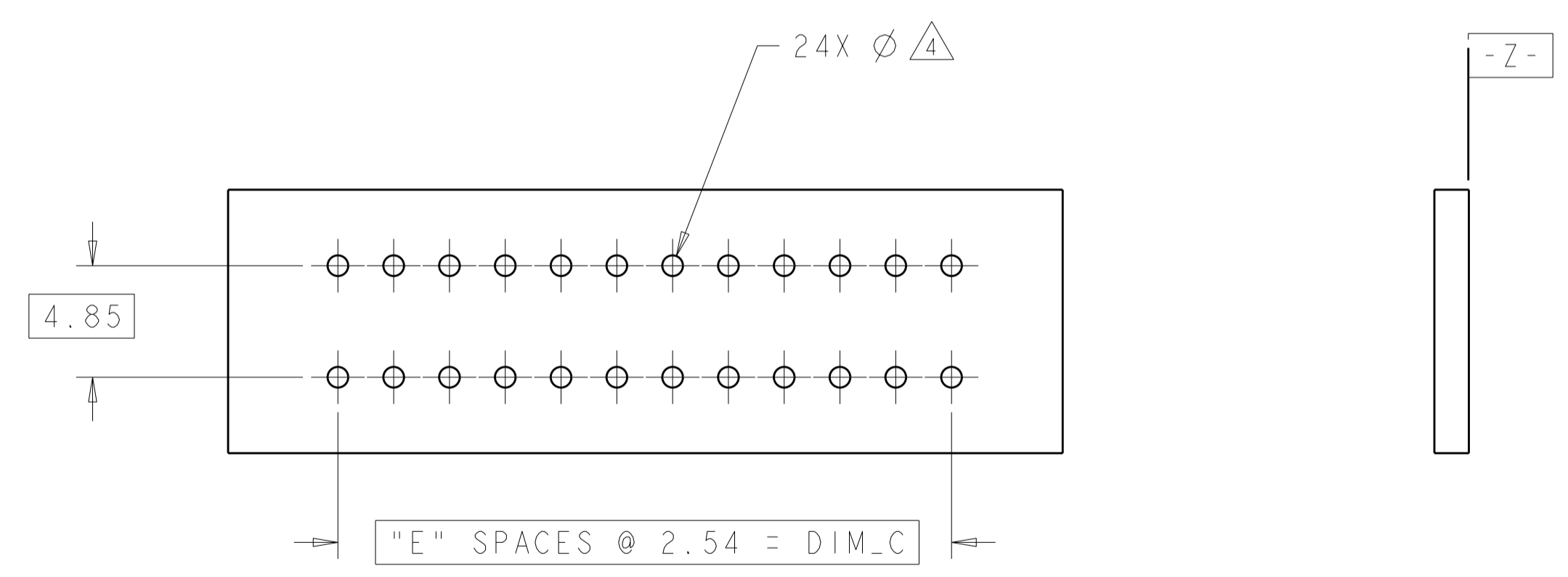
1

THIS DRAWING IS UNPUBLISHED. RELEASED FOR PUBLICATION 20
 © COPYRIGHT 20 BY TYCO ELECTRONICS CORPORATION. ALL RIGHTS RESERVED.

LOC	DIST	REVISIONS				
P	LTR	DESCRIPTION	DATE	DWN	APVD	
GP	00	-	SEE SHEET 1	-	-	



RECOMMENDED MATING BOARD CONFIGURATION
 TYPICAL BOTH SIDE



RECOMMENDED PC BOARD HOLE LAYOUT
 (VIEWED FROM CONNECTOR SIDE)

<small>THIS DRAWING IS A CONTROLLED DOCUMENT FOR TYCO ELECTRONICS CORPORATION IT IS SUBJECT TO CHANGE AND THE CONTROLLING ENGINEERING ORGANIZATION SHOULD BE CONTACTED FOR THE LATEST REVISION.</small>		DWN 24 JUL 2008 R. GRZYBOWSKI CHK 24 JUL 2008 A. FRANTUM APVD 24 JUL 2008 M. PERCHERKE	Tyco Electronics Harrisburg, PA 17105-3608
DIMENSIONS: mm 	TOLERANCES UNLESS OTHERWISE SPECIFIED: 0 PLC ±- 1 PLC ±- 2 PLC ±.13 3 PLC ±- 4 PLC ±- ANGLES ±2 FINISH	PRODUCT SPEC APPLICATION SPEC WEIGHT CUSTOMER DRAWING	NAME CONNECTOR ASSEMBLY SEC 11, DUAL POSITION SIZE CAGE CODE DRAWING NO RESTRICTED TO A200779 C-2057355 -
		SCALE 4:1	SHEET 3 OF 3 REV B