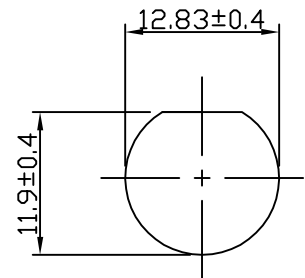
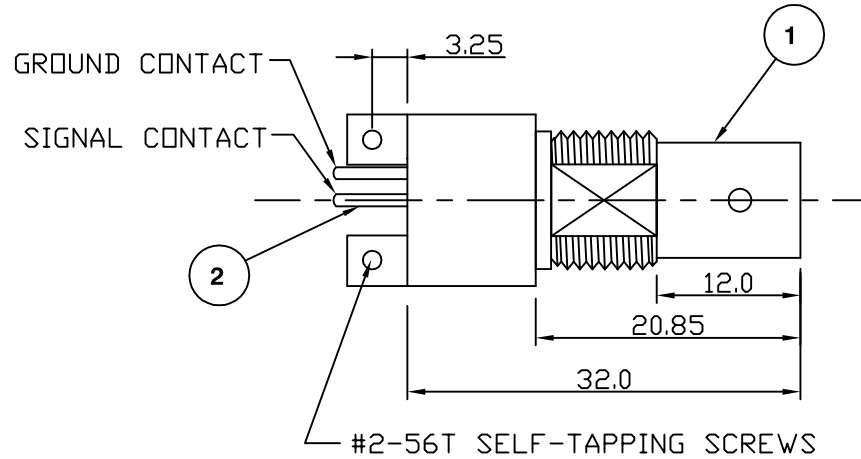
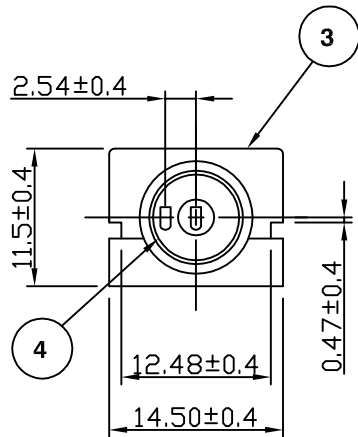
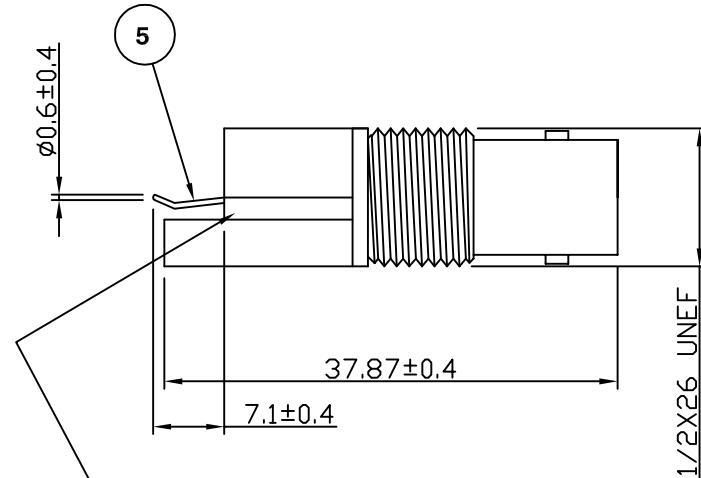


RoHS COMPLIANT



PANEL CUTOUT



RECOMMENDED P.C.B THICKNESS 1.60±0.10

Electrical Characteristics

Nominal Impedance:	50 ohms
Frequency Range:	DC to 1 GHz
Insertion Loss:	0.2 dB at 1 GHz
RF Leakage:	
Operating Voltage (rms):	500 V maximum at sea level
Dielectric Withstand Voltage (rms):	1500 V maximum at sea level
Contact Resistance:	3.0 milliohms maximum
Insulation Resistance:	5000 megohms minimum

Mechanical Characteristics

Mating Cycles:	500 cycles minimum
Interface Dimensions:	Conform to MIL-C-39012

Environmental Characteristics

Temperature Range:	-55 °C to +85 °C
--------------------	------------------

PART	DESCRIPTION
1	Body Zinc Alloy, nickel plated 2.54mm
2	Contact Gold plated at contact area Tin plated at tail 1.22mm, nickel plated overall 2.54mm
3	Housing PBT (UL 94 V-0)
4	Insulator Polypropylene UL 94HB
5	Ground Terminal Copper, tin plated

Dimensional Update	JT	3	13 May 10
CAD Issue	SN	2	01 Oct 01
First Issue	SN	1	03 June 94
DESCRIPTION OF REVISION	APPVD	ISS	DATE



Cinch Connectivity Solutions
7-13 Russel Way,
Widford Industrial Estate,
Chelmsford, Essex,
CM1 3AA, UK.
Tel: +44 (0) 1245 359515
Fax: +44 (0) 1245 358938

SCALE: Not To Scale
DIMENSIONS: mm
TOLERANCES:
± 0.2mm unless
otherwise stated

DRAWN BY: S Nash
CHECKED BY: M Nielsen
APPROVED BY: P Couzens
DATE: 01 Oct 01

TITLE:
BNC PCB Edge Mount Jack

PART NUMBER:
VBI402

PAGE: 1 of 1