

# Customer Information Sheet

DRAWING No.: R6505-00 TO R6535-00

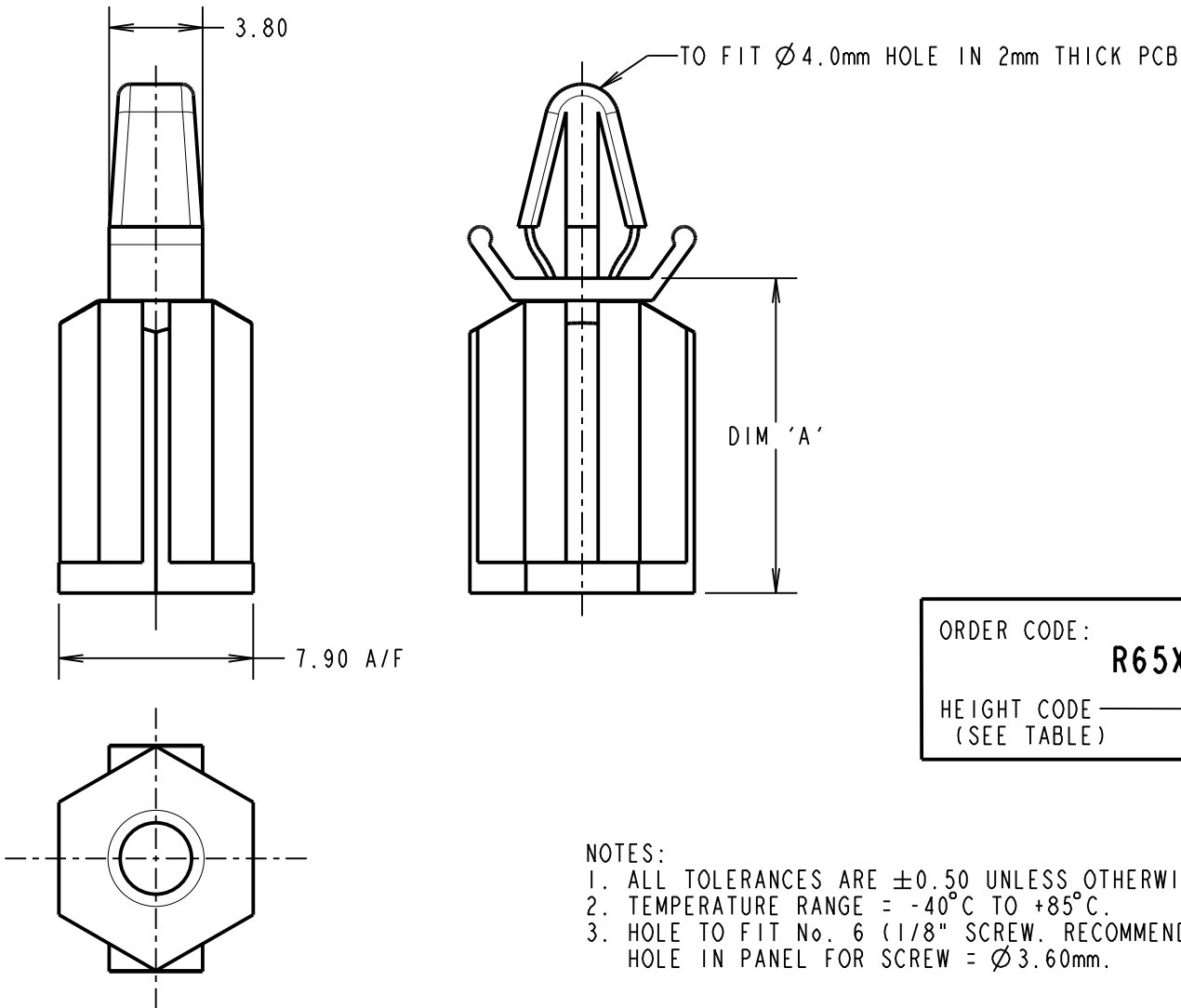
IF IN DOUBT - ASK

Ⓒ

NOT TO SCALE

THIRD ANGLE PROJECTION

ALL DIMENSIONS IN mm



PART No.	DIM 'A'
R6505-00	4.90
R6510-00	9.60
R6513-00	12.70
R6519-00	19.10
R6528-00	28.50
R6535-00	35.00

ORDER CODE: **R65XX-00**

HEIGHT CODE \_\_\_\_\_  
(SEE TABLE)

MSP	6	16.03.16	13220
NAME	ISS.	DATE	C/NOTE
APPROVED:		M. PERREN	
CHECKED:		M. PLESTED	
DRAWN:		D. BECK	
CUSTOMER REF.:			
ASSEMBLY DRG:			

## HARWIN

www.harwin.com  
technical@harwin.com

THIS DRAWING AND ANY INFORMATION OR DESCRIPTIVE MATTER SET OUT HEREON ARE CONFIDENTIAL AND COPYRIGHT PROPERTY OF THE HARWIN GROUP AND MUST NOT BE DISCLOSED, LOANED, COPIED OR USED FOR MANUFACTURING, TENDERING OR FOR ANY OTHER PURPOSE WITHOUT THEIR WRITTEN PERMISSION.

**TOLERANCES**  
~~X =  $\pm 1$ mm~~  
~~X.X =  $\pm 0.50$ mm~~  
~~X.XX =  $\pm 0.10$ mm~~  
~~X.XXX =  $\pm 0.01$ mm~~  
 ANGLES =  $\pm 5^{\circ}$   
 UNLESS STATED

**MATERIAL:**  
 NYLON 66 NATURAL UL94V-2

**FINISH:** CLEAN

**S/AREA:** mm<sup>2</sup>

**TITLE:**  
 SELF LOCKING SPACER

**DRAWING NUMBER:**  
 R6505-00 TO R6535-00

SHT  
 2 OF 2