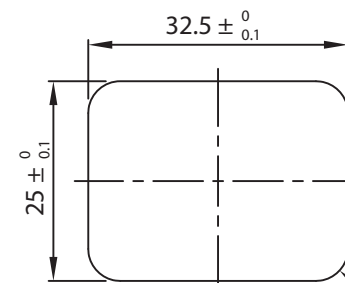
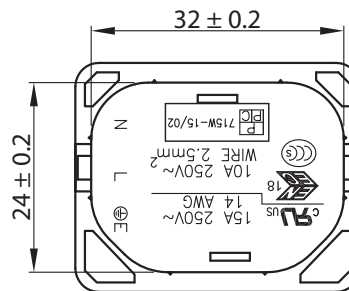
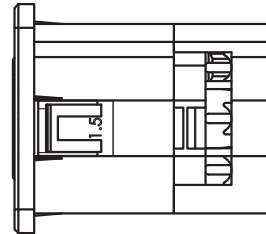
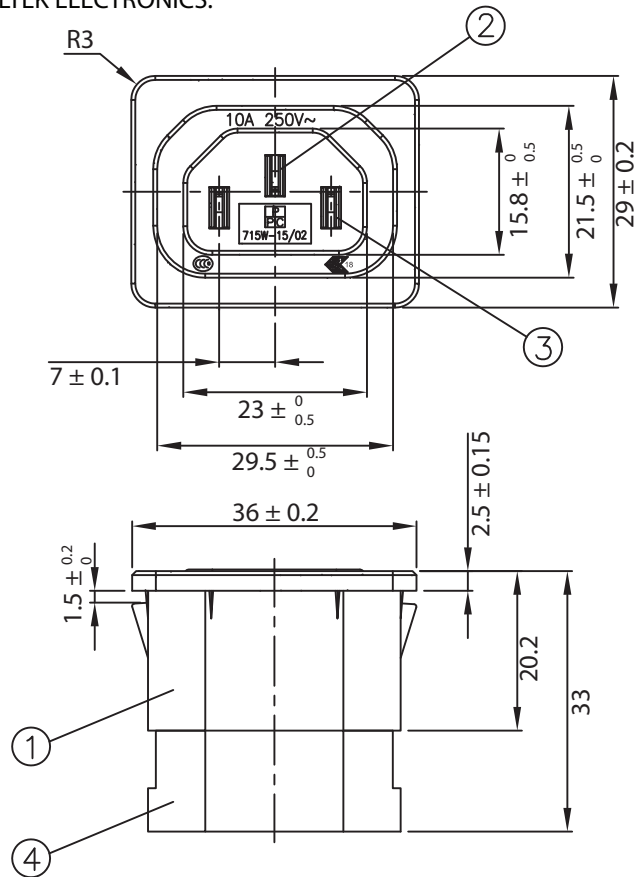
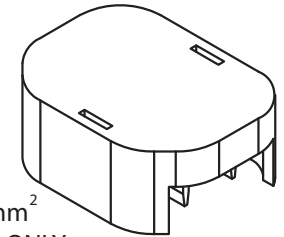


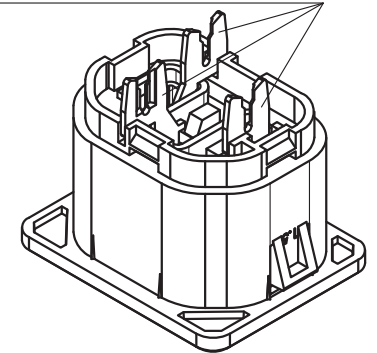
THESE DRAWINGS ARE THE PROPERTY OF QUALTEK ELECTRONICS AND NOT TO BE REPRODUCED FOR OR COMMUNICATED TO A THIRD PARTY WITHOUT THE EXPRESS WRITTEN PERMISSION OF AN OFFICER OF QUALTEK ELECTRONICS.



PANEL CUTOUT R4MAX **CONTROLLED**



USE 14AWG OR 2.5mm²
SOLID COPPER WIRE ONLY
(WIRE DIAMETER 1.6~1.75mm)



NOTES:

RATING:

UL, cUL: 15A 250V AC
ENEC, CCC: 10A 250V AC

APPROVALS: UL, cUL, ENEC, CCC

PANEL THICKNESS: 1.5mm

PRODUCT SHIPPED UNASSEMBLED

RoHS COMPLIANT

REVISION			
REV.	DESCRIPTION	DATE	APPROVED

4	Cover back of the body, PC Black Color	1
3	Contact PIN Brass Strip t=0.8mm Tin-Plated	1
2	Contact PIN Brass Strip t=0.8mm Tin-Plated	2
1	Body Insulator PC Black Color	1

Dim range (mm)	Tolerance +/- (mm)	Qualtek Electronics Corp. PPC DIVISION		
		Part Number: 715W-15/02	RoHS Compliant	
0-1	0.30	Description: AC RECEPTACLE		
1-6	0.40			
6-18	0.45	UNIT: mm		
18-50	0.50			
50-120	0.70	Drawn / Date	Checked / Date	Approved / Date
120-250	0.90	R. Nuti 07-12-16	07-12-16	LY / 07-12-16
250-500	1.20			