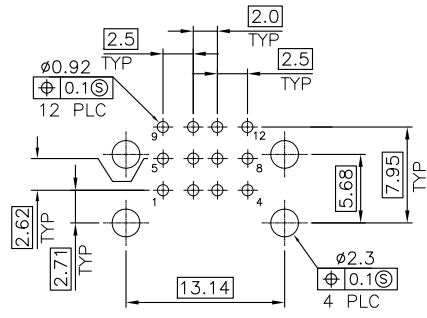
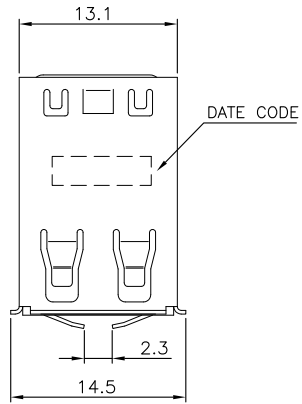


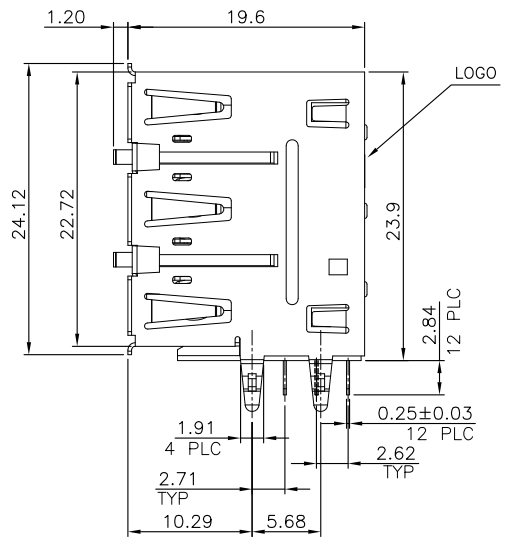
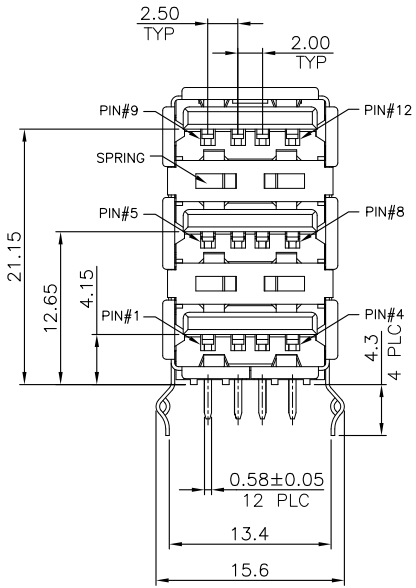
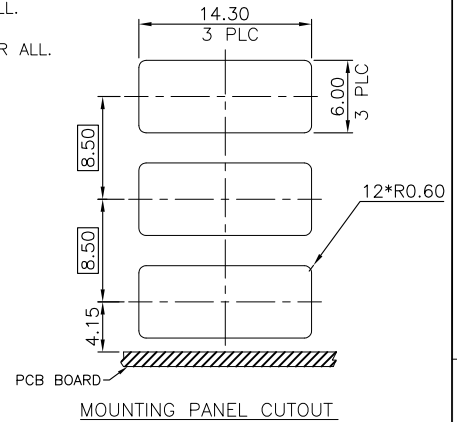
LOC	DIST	REVISIONS			
P	LTR	DESCRIPTION	DATE	DWN	APVD
DW		B2	REVISED (ECR-14-003928)	19MAR14	SW SC



RECOMMENDED P.C.B LAYOUT  
 TOLERANCE: ±0.05

NOTES:

- MATERIAL:  
 HOUSING: THERMOPLASTIC (PA6T) WITH 30% GF, UL 94V-0, COLOR: SEE TABLE.  
 CONTACTS: PHOSPHOR BRONZE.  
 FRONT SHELL: PHOSPHOR BRONZE.  
 REAR SHELL: SPCC.  
 SPRING: PHOSPHOR BRONZE.
- FINISH:  
 CONTACTS: GOLD PLATED (SEE TABLE) ON CONTACT AREA, 2.54um[100u"] MIN. BRIGHT-TIN PLATING ON SOLDER TAILS, 1.27um [50u"] MIN. NICKEL UNDERPLATED OVER ALL.  
 FRONT SHELL: 2.54um[100u"] MIN. BRIGHT-TIN PLATING, 1.27um [50u"] MIN. NICKEL UNDERPLATED OVER ALL.  
 REAR SHELL: 1.27um [50u"] MIN. NICKEL PLATING.  
 SPRING: 1.27um [50u"] MIN. NICKEL PLATING.
- RECOMMENDED PCB THICKNESS: 1.6mm.
- WAVE SOLDER CAPABLE TO 265°C PER TE TEST SPEC. 109-202, CONDITION B.



OBSOLETE	BEIGE (726C)	0.762um (30u")	1775615-8-
OBSOLETE	BLACK (426C)	0.762um (30u")	1775615-7-
OBSOLETE	BEIGE (726C)	0.381um (15u")	1775615-6-
OBSOLETE	BLACK (426C)	0.381um (15u")	1775615-5-
OBSOLETE	BEIGE (726C)	0.127um (5u")	1775615-4-
OBSOLETE	BLACK (426C)	0.127um (5u")	1775615-3-
OBSOLETE	BEIGE (726C)	0.0254um (1u")	1775615-2-
	BLACK (426C)	0.0254um (1u")	1775615-1-
HOUSING COLOR		MIN. GOLD THICKNESS	PART NUMBER

THIS DRAWING IS A CONTROLLED DOCUMENT.		DWN H. HUANG 21MAR2007	TE Connectivity TRIPLE STACKED USB, A TYPE R/A, RECEPTACLE, DIP CONNECTOR	
DIMENSIONS: mm		CHK S. HOU 21MAR2007		
TOLERANCES UNLESS OTHERWISE SPECIFIED:		APVD W.J. KE 21MAR2007		
0 PLC ± - 1 PLC ± 0.30 2 PLC ± 0.25 3 PLC ± 0.20 4 PLC ± - ANGLES ± 3°		NAME 108-57519		
MATERIAL SEE NOTE		FINISH SEE NOTE	PRODUCT SPEC APPLICATION SPEC	SIZE A3
		WEIGHT 9.2 GRAMS	CAGE CODE 00779	DRAWING NO C=1775615
		CUSTOMER DRAWING	SCALE	SHEET 1 OF 2
				REV B2

THIS DRAWING IS UNPUBLISHED.

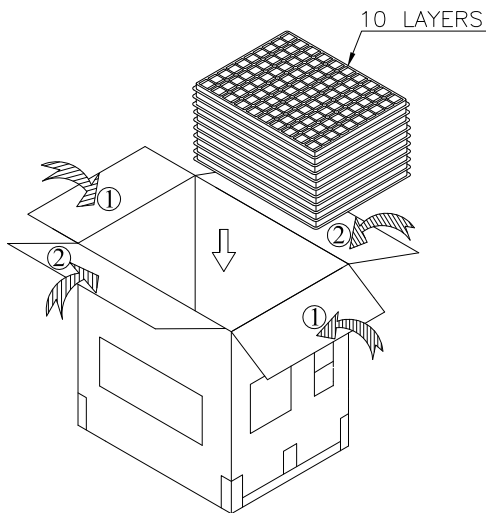
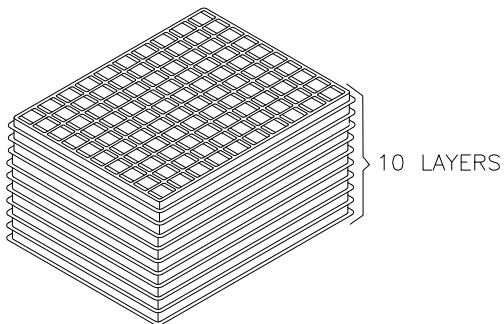
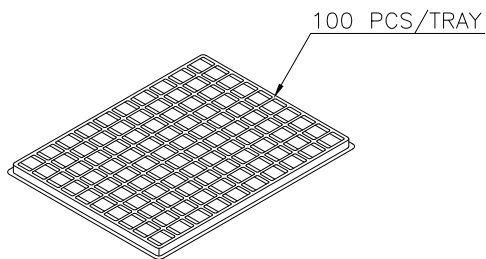
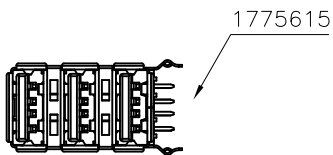
RELEASED FOR PUBLICATION

© COPYRIGHT 2011 BY TYCO ELECTRONICS CORPORATION. ALL RIGHTS RESERVED.

LOC DW DIST

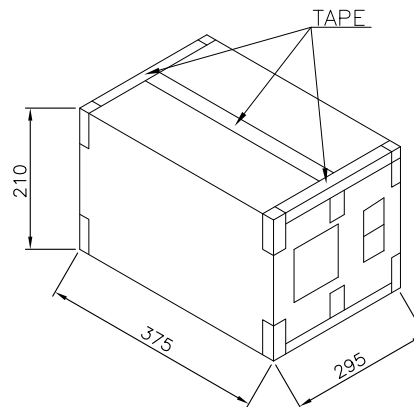
REVISIONS

P	LTR	DESCRIPTION	DATE	DWN	APVD
		SEE SHEET 1.			



NOTES:

- 1. DIMENSION:  
TRAY: L= 360, W=280, H=25  
SHIPPING CARTON: L= 375, W=295, H=210
- 2. QUANTITY: (SEE TABLE)
- 3. CARTON WEIGHT: (SEE TABLE)



13.0 Kg	12.0 Kg	100	10	1000 PCS
GROSS WEIGHT	NET WEIGHT	PCS/TRAY	TRAYS /CARTON	QUANTITY

THIS DRAWING IS A CONTROLLED DOCUMENT.

DIMENSIONS: mm 	TOLERANCES UNLESS OTHERWISE SPECIFIED: 0 PLC ± - 1 PLC ± - 2 PLC ± - 3 PLC ± - 4 PLC ± - ANGLES ± -		DWN _____ CHK _____ APVD _____ PRODUCT SPEC _____ APPLICATION SPEC _____ WEIGHT _____		<b>TE</b> TE Connectivity NAME _____ TRIPLE STACKED USB, A TYPE R/A, RECEPTACLE, DIP CONNECTOR	
	MATERIAL _____	FINISH _____	SIZE A3	CAGE CODE 00779	DRAWING NO C=1775615	RESTRICTED TO _____
CUSTOMER DRAWING			SCALE _____	SHEET 2 OF 2	REV B2	