

**PLEASE CHECK WWW.MOLEX.COM FOR LATEST PART INFORMATION**

**Part Number:** [57348-7000](#)

**Status:** **Active**

**Description:** Flat Cable IDT Jig

**Documents:**

[Tooling Parts List \(PDF\)](#)

[Tooling Manual \(PDF\)](#)

[RoHS Certificate of Compliance \(PDF\)](#)

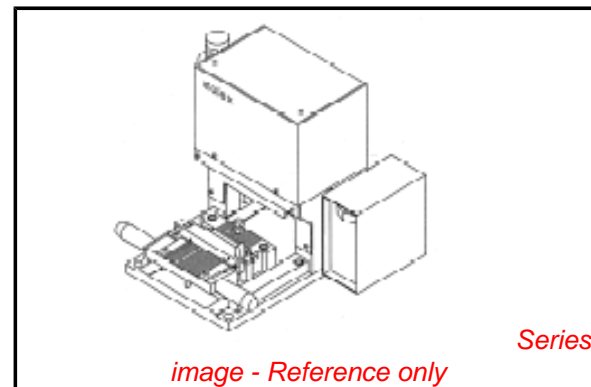
**General**

Product Family	Application Tooling
Series	57348
Comments	1.27 Pitch Flat Cable
Function	Insulation Displacement (IDT)
Geographic Area	Japan
Level of Automation	Manual
More Detailed Tech Information	<a href="mailto:applicationtooling@molex.com">applicationtooling@molex.com</a>
Product Name	N/A
Survey	<a href="http://www.molex.com//review/apptool_survey.html">www.molex.com//review/apptool_survey.html</a>
Tool Type	Terminator
UPC	800753488915

**Material Info**

**Reference - Drawing Numbers**

Application Tooling Documents [581\\_57348-7000](#), [700\\_57348-7000](#)



**EU RoHS**

**RoHS Compliance**

**Not Required**

**REACH SVHC**

**Not Reviewed**

**Low-Halogen Status**

**Not Reviewed**

**China RoHS**

**Need more information on product environmental compliance?**

Email [productcompliance@molex.com](mailto:productcompliance@molex.com)  
For a multiple part number RoHS Certificate of Compliance, [click here](#)

Please visit the [Contact Us](#) section for any non-product compliance questions.

**Search Parts in this Series**

[57348Series](#)

**PLEASE CHECK WWW.MOLEX.COM FOR LATEST PART INFORMATION**