

REVISION T

DO NOT SCALE FROM THIS PRINT

- NOTES:
- Ⓢ REPRESENTS A CRITICAL DIMENSION.
 - VERIFY -S PLATING, VISUALLY CHECK -F ONLY.
 - ALL PARTS ARE ROHS COMPLIANT WITH OR WITHOUT -R.

USB-AM-S-X-X-TH-X

TYPE
-AM

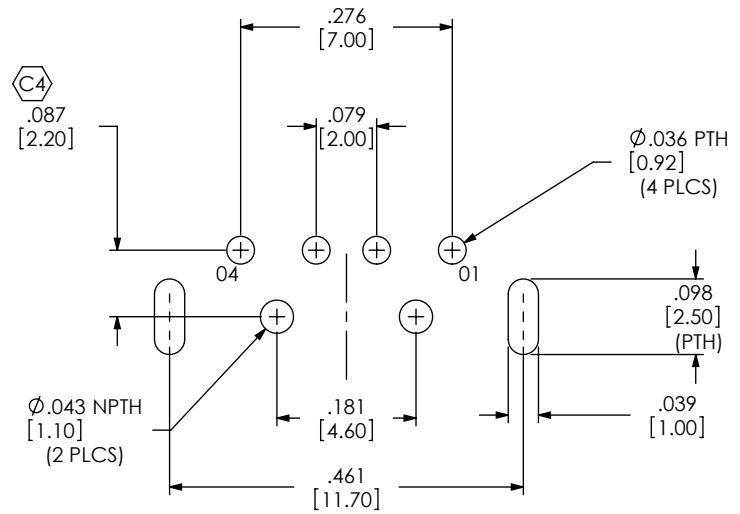
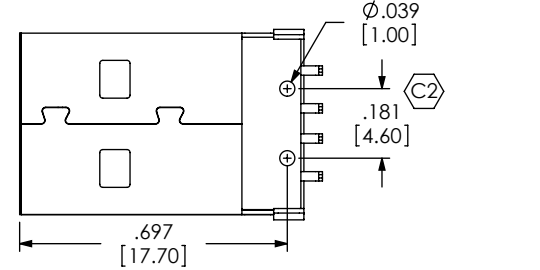
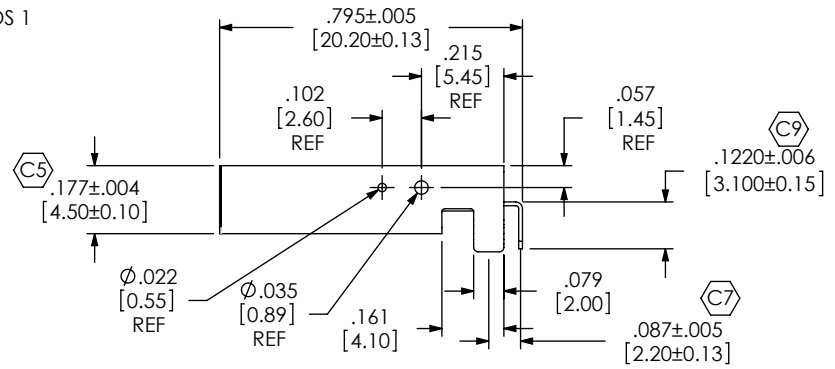
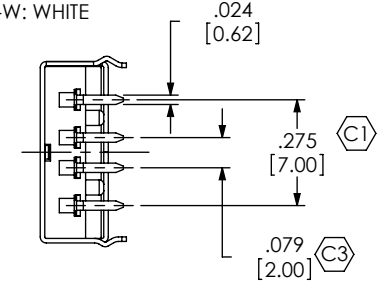
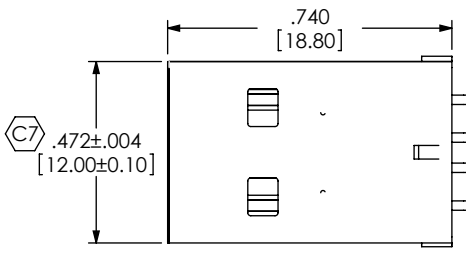
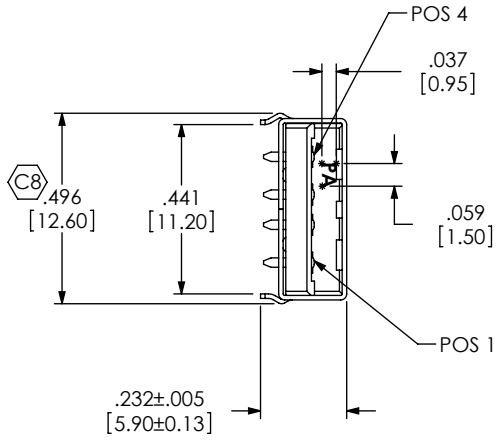
CONFIGURATION
-S: SINGLE

E/OPTION
-R: RoHS COMPLIANT - LEAD FREE

RA TERMINATION
-TH: THROUGH HOLE

COLOR
-B: BLACK
-W: WHITE

PLATING
-F: GOLD FLASH ON MATING AREA, BRIGHT ACID TIN ON TAILS (100U" MIN) W/ NICKEL UNDERPLATE (SEE NOTE 3 FOR -RC)
-S: .000030" GOLD ON MATING AREA, BRIGHT ACID TIN ON TAILS (100U" MIN) W/ NICKEL UNDERPLATE (SEE NOTE 3 FOR -RC)



RECOMMENDED PCB LAYOUT

UNLESS OTHERWISE SPECIFIED, DIMENSIONS ARE IN INCHES.
TOLERANCES ARE:
DECIMALS ANGLES
.X: ±.01 [0.30]
.XX: ±.008 [0.20]
.XXX: ±.005 [0.13]

PROPRIETARY NOTE
THIS DOCUMENT CONTAINS CONFIDENTIAL AND PROPRIETARY INFORMATION AND ALL DESIGN, MANUFACTURING, REPRODUCTION, USE, PATENT RIGHTS AND SALES RIGHTS ARE EXPRESSLY RESERVED BY SAMTEC, INC. THIS DOCUMENT SHALL NOT BE DISCLOSED, IN WHOLE OR PART, TO ANY UNAUTHORIZED PERSON OR ENTITY NOR REPRODUCED, TRANSFERRED OR INCORPORATED IN ANY OTHER PRODUCT IN ANY MANNER WITHOUT THE EXPRESS WRITTEN CONSENT OF SAMTEC, INC.



520 PARK EAST BLVD., NEW ALBANY, IN 47150
PHONE: 812-944-6733 FAX: 812-948-5047
e-Mail: info@SAMTEC.com code: 55322

MATERIAL: DO NOT SCALE DRAWING SHEET SCALE: 2:1
INSULATOR: PA 9T
CONTACT OR TERMINAL: PHOS BRONZE
BACK SHIELD: NICKEL PLATED PHOS BRONZE
FRONT SHIELD: TIN PLATED PHOS BRONZE
MAX FLASH ALLOWED: .051
MAX GATE VESTIGE: .051
PLDWG\MISC\MKTG\USB-AM-S-X-X-TH-X-MKT.3LDRW

DESCRIPTION:
USB RIGHT ANGLE, 4 PIN, TYPE A, SINGLE-FOOT 1MM
DWG. NO. **USB-AM-S-X-X-TH-X**
BY: LENNY K 10/19/06 SHEET 1 OF 1