

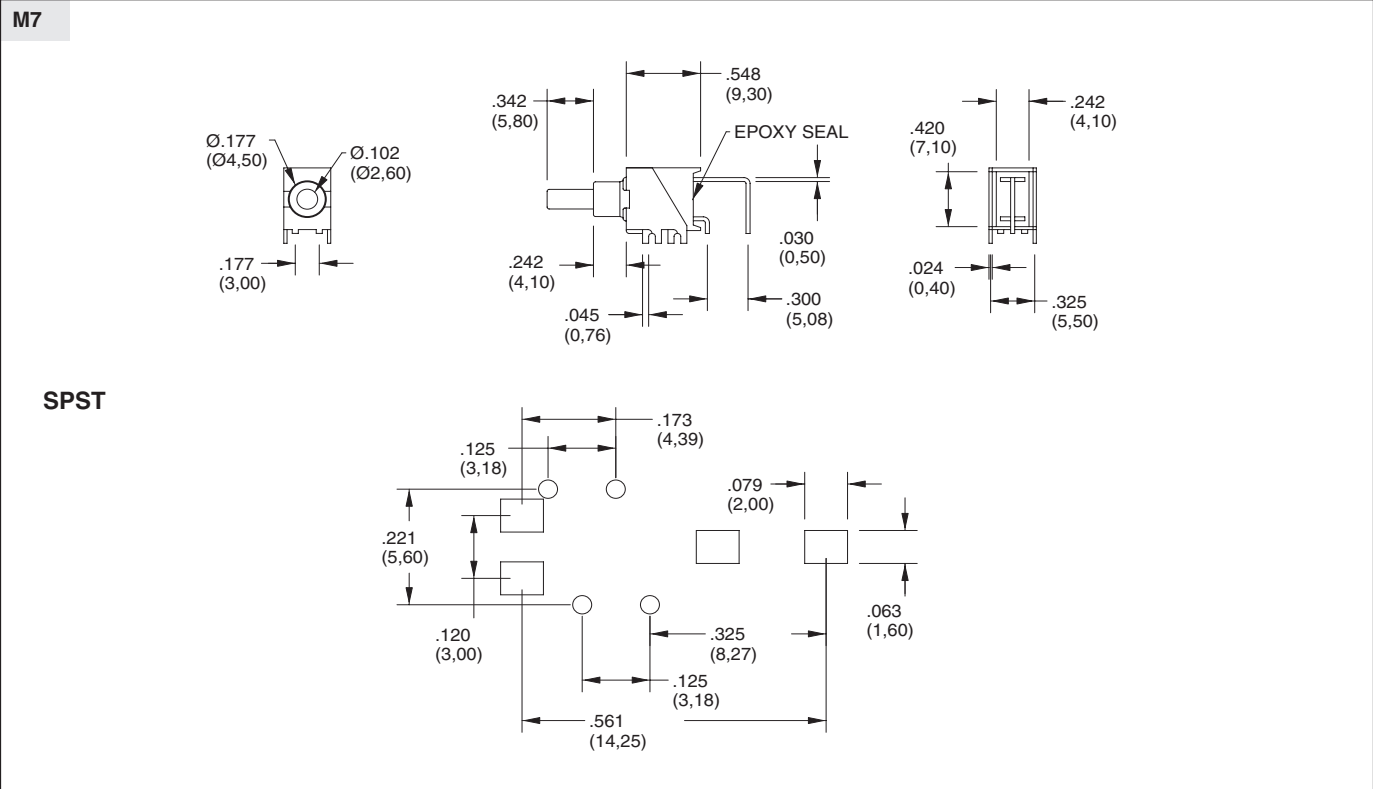
SERIES 38H
Sealed Surface Mount Subminiature
Pushbutton Switches

FEATURES

- Surface Mount Process Compatible
- Sealed Construction
- Solder-Coated Terminals
- Tape and Reel Packaging
- SPST and SPDT Momentary Contact
- Sealed Per IP67



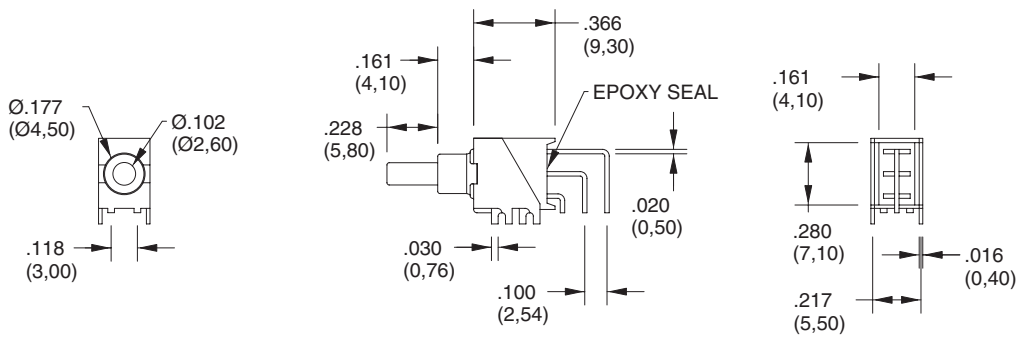
DIMENSIONS in inches (and millimeters)



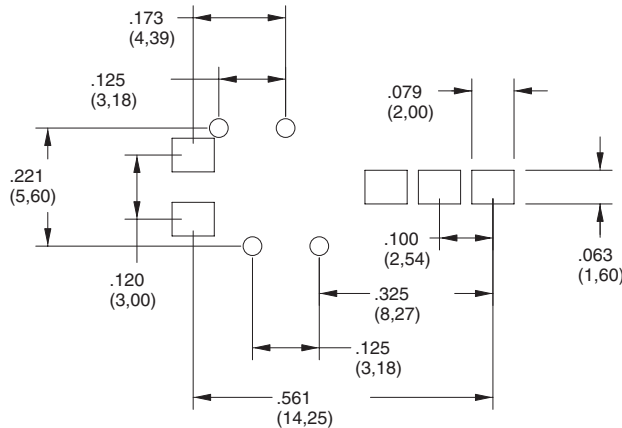
Pushbutton Switches

DIMENSIONS in inches (and millimeters)

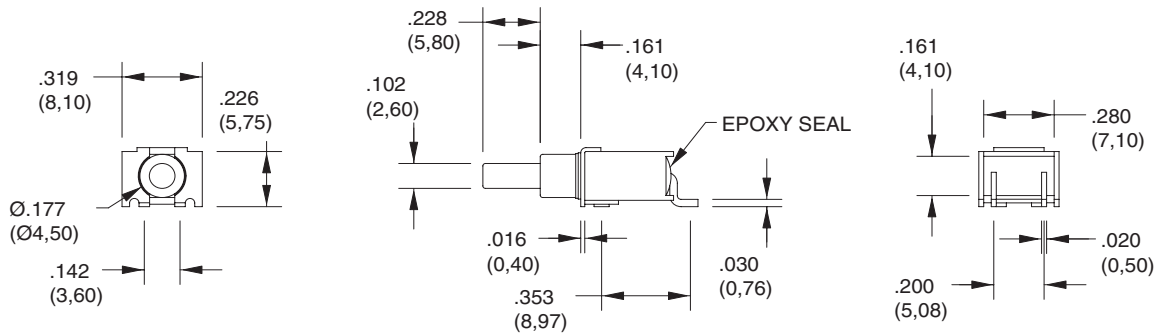
M7



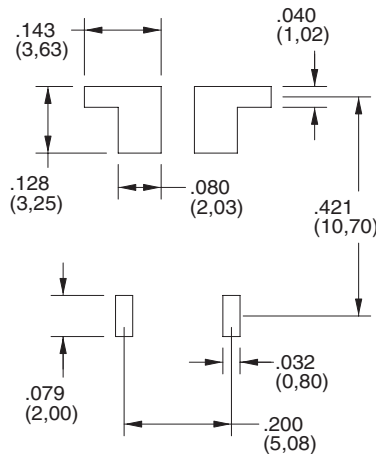
SPDT



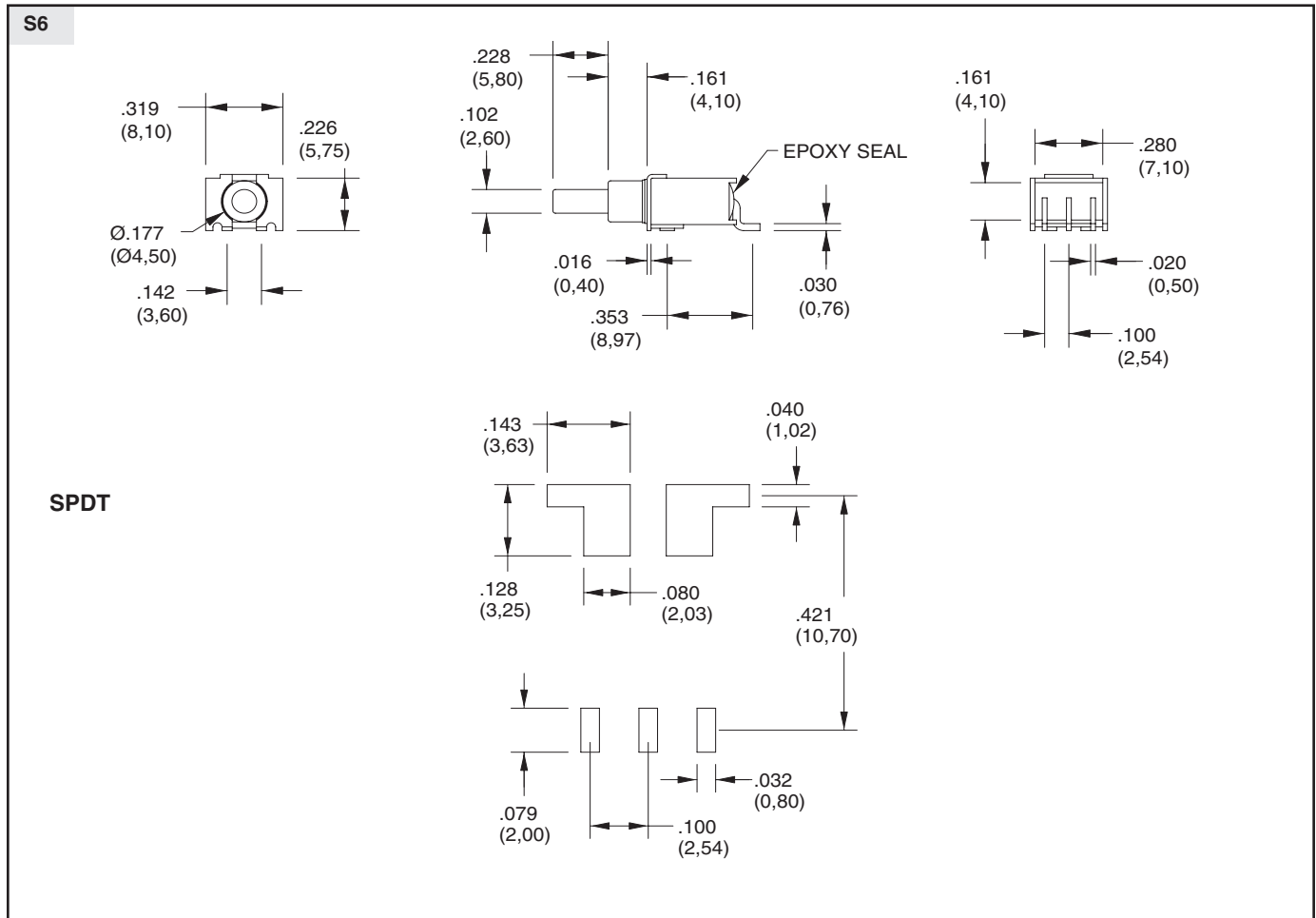
S6



SPST

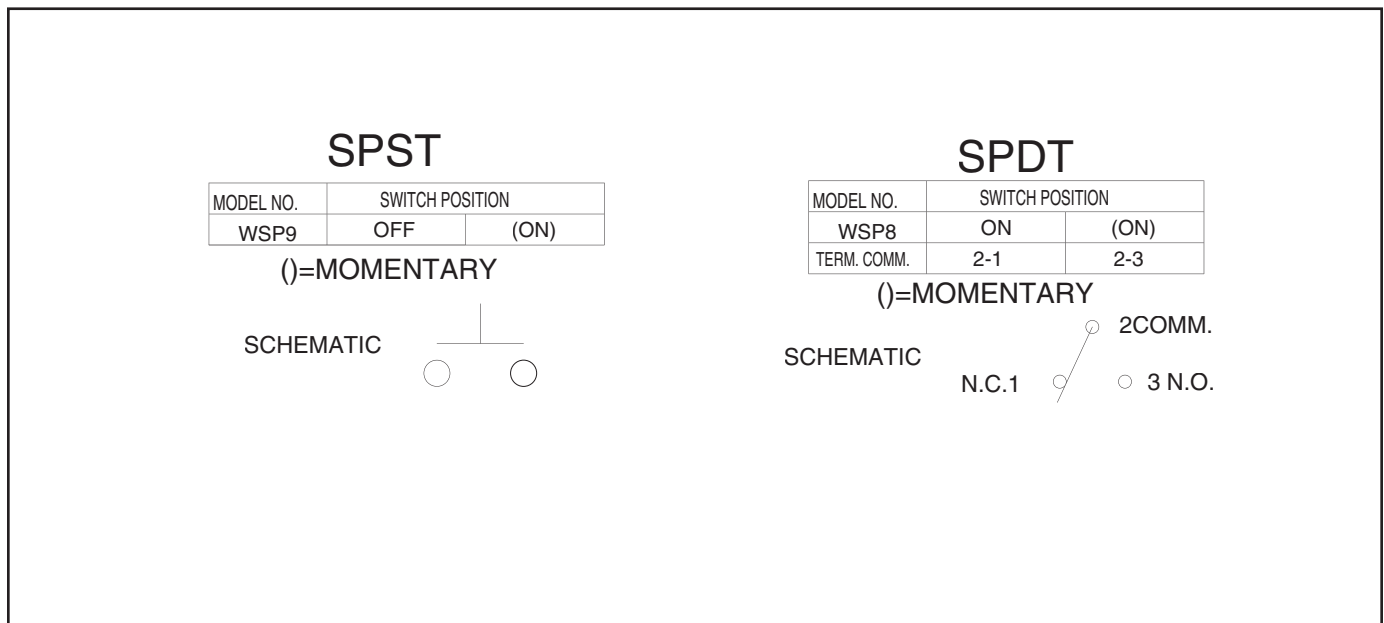


DIMENSIONS in inches (and millimeters)



Pushbutton Switches

Circuitry



SERIES 38H

SPECIFICATIONS

Rating Criteria

Operating Life: 30,000 make-and-break cycles at full load

Contact Rating (resistive load):

R Option: 0.4 VA maximum at 20 Vac or Vdc maximum

Q & G Options: 1A max at 125 Vac or 28 Vdc

Contact Resistance: 20 milliohms max initial at 2-4 Vdc, 100 mA

Insulation Resistance: 1000 megaohms minimum

Voltage Breakdown: 1500 Vrms minimum at sea level

Operating Temperature: -30°C. to +85°C.

Materials and Finishes

Case: Glass Filled Nylon 4/6, UL94V-

Plunger: Thermoplastic Polyester(UL 94V-0) (with internal o-ring seal)

Terminals: Copper alloy

Spring: Plated Music Wire

Contact System: Copper alloy

Switch Support: Brass, tin-plated

ORDERING INFORMATION

SERIES	MODEL NO.	TERMINATION	CONTACT	ROHS
38H	WSP8	M7	R	T
Sealed Surface Mount Subminiature Pushbutton Switches	Options: WSP8, WSP9 (see models for switching positions)	Options: M7, S6 (see termination options)	R = Copper alloy, gold plate over nickel plate. G = Copper alloy, Gold plate over silver plate Q = Copper alloy, Silver Plate	T = Lead Free and RoHS compliant