

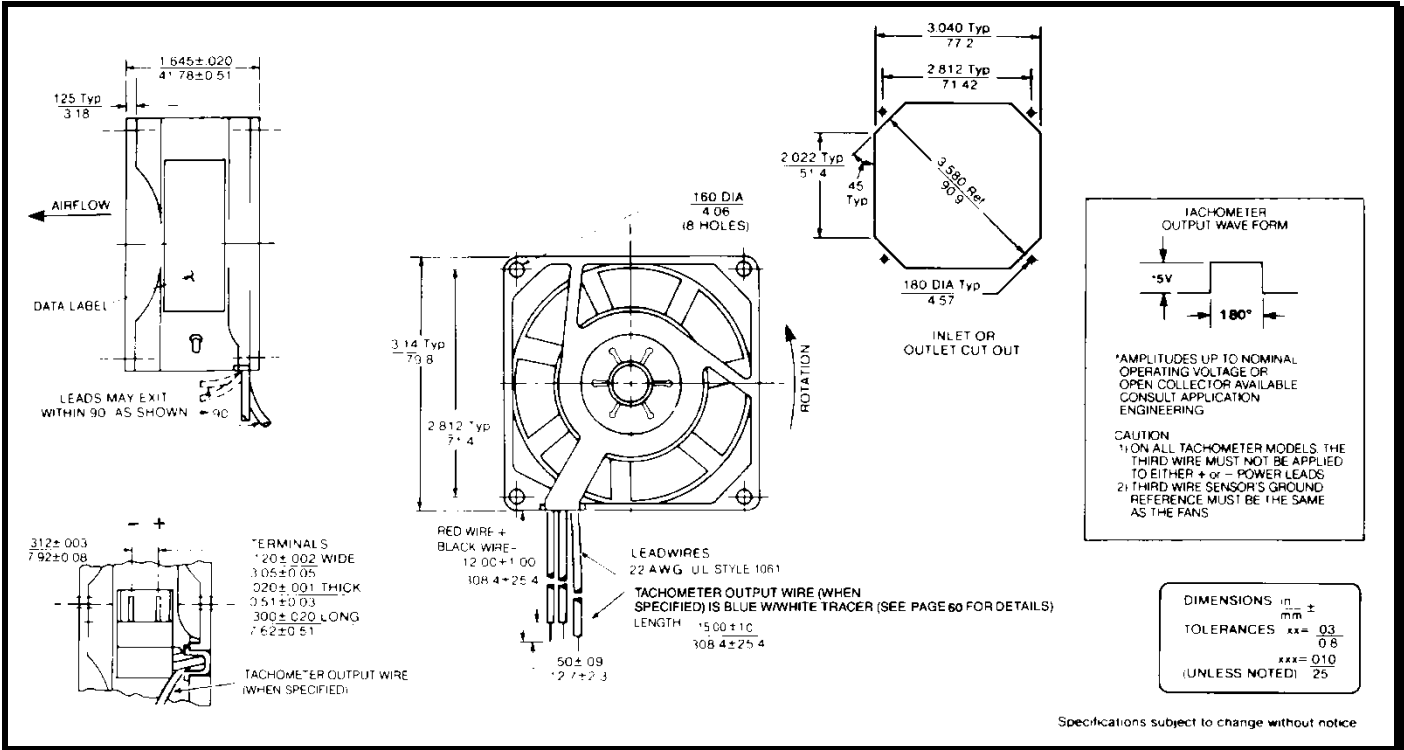
SPECIFICATIONS



Model Number: SD24B2
Part Number: 19032002A SPEC:26013704A00

March 22, 2005

Mechanical Drawing:



Motor:
 Nominal Voltage = 24vdc
 Operating Voltage Range = 12 - 28vdc
 Nominal Running Current = 0.130 amps
 Locked Rotor Current = 0.600 amps
 Running Power = 3.0 watts
 Average Speed = 3500
 Bearings = Ball
 Air Flow = 35 CFM
 Acoustic = 47.6 dBA

Construction:
 Venturi: Single Piece Die-Cast Zinc Alloy, Black
 Propeller: Plastic, Black, UL 94V-0

Life Expectancy:
 This fan is designed for continuous duty life of 83,000 hours at 40°C.

Additional Features:
 Brushless DC Motor
 Polarity Protected
 Locked Rotor Protection
 Automatic Restart Capability
 Operating Temperature = -10°C to 70°C
 Storage Temperature: = -40°C to 85°C

Agency Approvals:
 UL, CE

Termination:
 2 x 0.110" Terminals