

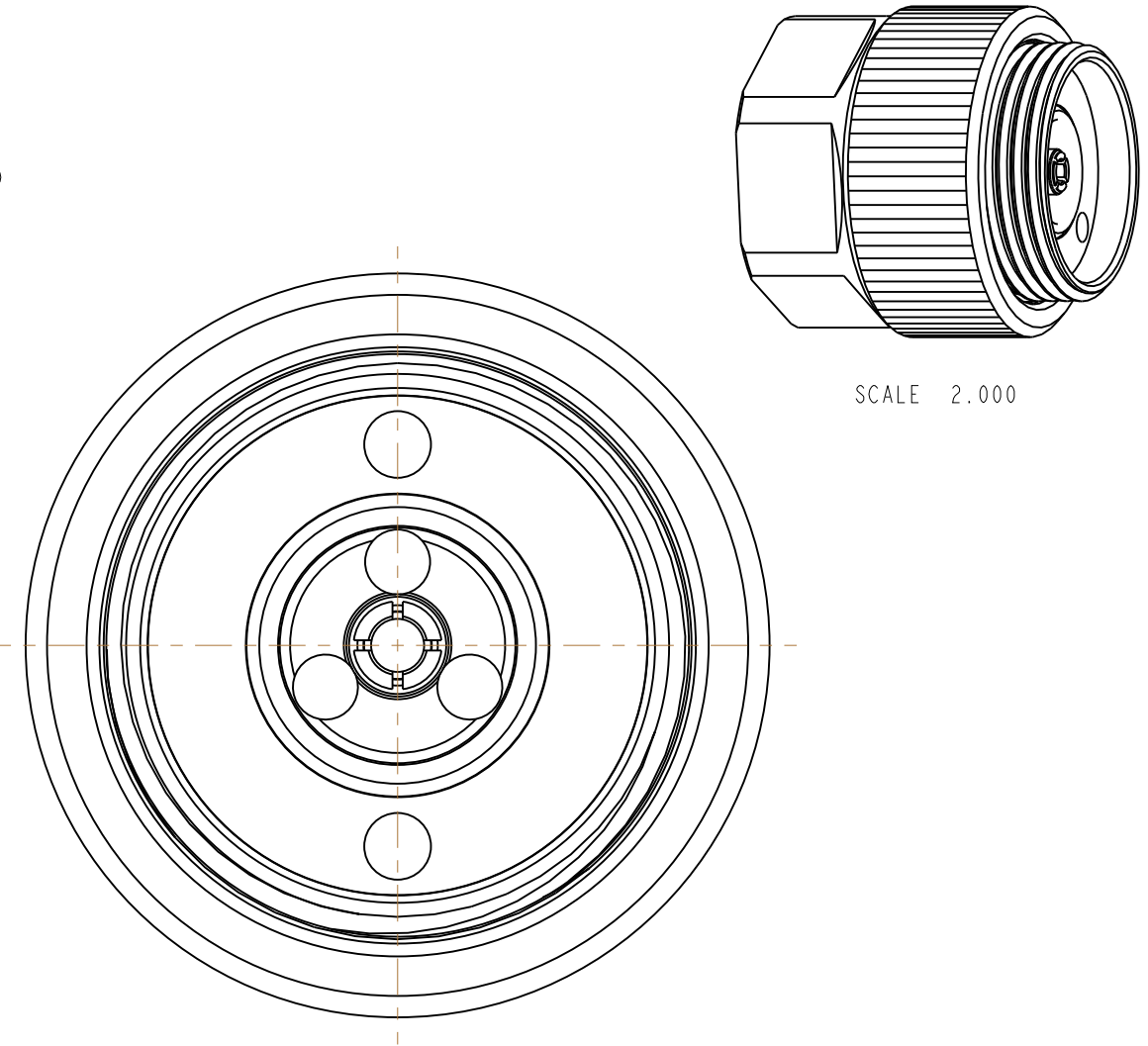
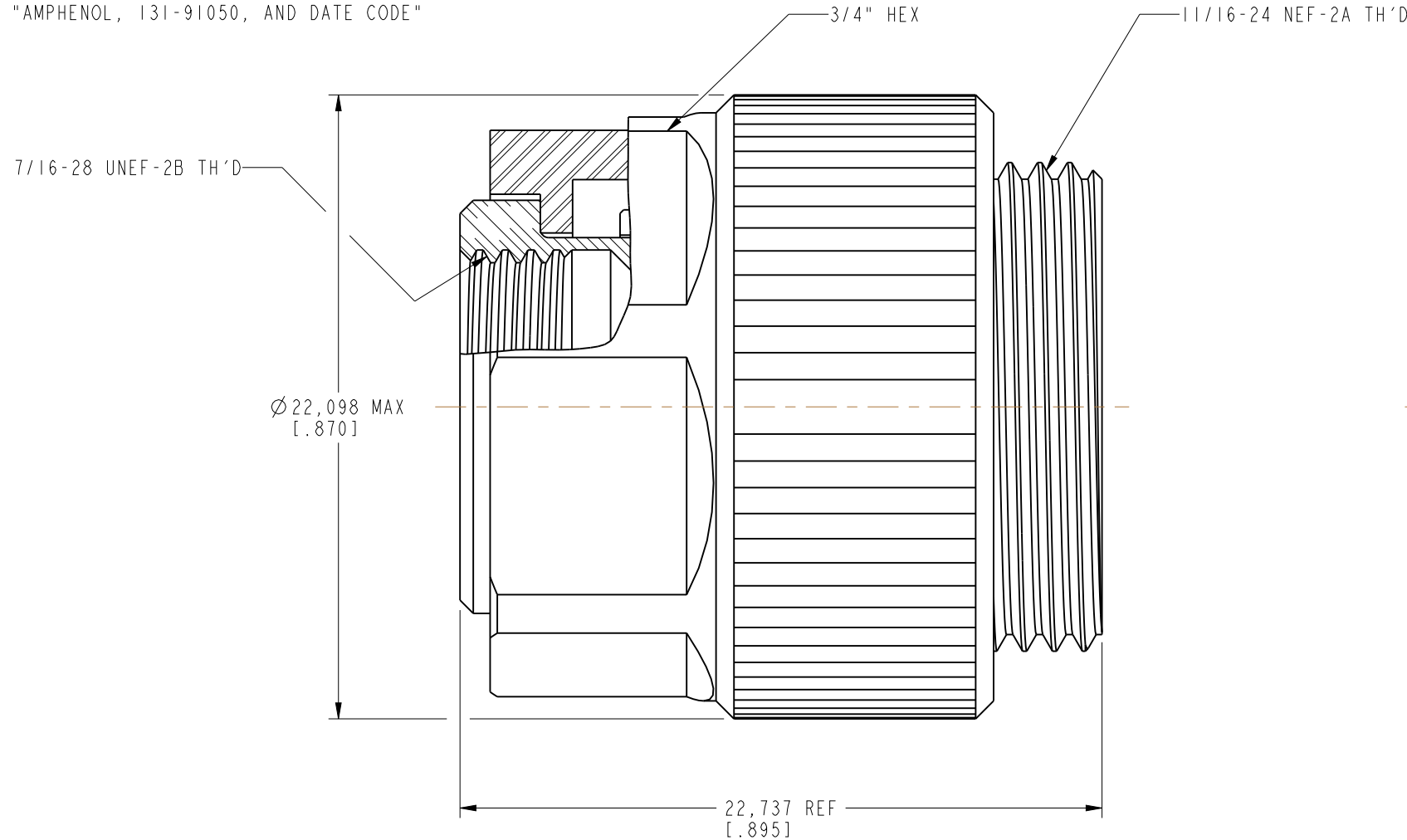
NOTES:

1. MATERIALS AND FINISHES:
 BODY - BERYLLIUM COPPER, GOLD PLATING (.000050/.000070) THICK OVER
 ELECTROLESS NICKEL (.000050/.000070) THICK OVER (.000020/.000050) COPPER
 COUPLING NUT - STAINLESS STEEL, PASSIVATED
2. ELECTRICAL:
 A. IMPEDANCE: 50 OHM
 B. FREQUENCY RANGE: DC - 18 GHz
 C. VSWR(RETURN LOSS): 1.003 + .002f (GHz) MAX.
 D. DIELECTRIC WITHSTANDING VOLTAGE: 2500 VRMS, MIN.
3. MECHANICAL:
 A. TEMPERATURE RANGE: -65° C TO 85° C
4. PACKAGING:
 A. QUANTITY: SINGLE PACK
 B. MARKING: BAG TO BE MARKED
 "AMPHENOL, 131-91050, AND DATE CODE"

THIRD ANGLE PROJ.

REVISIONS

| REV | DESCRIPTION | DATE | ECO | APPR |
|-----|---|-----------|-------|------|
| A | OFF ENG REL TO PROD. | 13-Oct-75 | 43175 | -- |
| F | REDRAW IN PRO/E | 1/26/09 | 47233 | BM |
| G | CHANGED PLATING CODE ON ITEM 2 FROM YA TO JL | 7/21/11 | 48662 | MJS |
| H | BODY CHANGED PLATING FROM SULPHAMATE NICKEL TO ELECTROLESS NICKEL | 10/16/12 | 49268 | CL |
| J | SEE SHEET 1 | 2/27/14 | 49885 | CPM |



CUSTOMER OUTLINE DRAWING

ALL OTHER SHEETS ARE FOR INTERNAL USE ONLY

| | | | | | | | |
|--|---|-----------------------------|-------------------|---------------------------------------|---------------|--|----------|
| UNLESS OTHERWISE SPECIFIED, DIMENSIONS ARE IN METRIC AND TOLERANCES ARE: 0.5 - 6mm ±0.1mm 6 - 30mm ±0.2mm 30 - 120mm ±0.3mm ANGLES ±1° | MATERIAL | DRAWN BALAJI M | DATE 19-AUG-08 | TITLE APC-7 PRECISION CONNECTOR | | Amphenol RF Danbury CT USA, Tainan, Taiwan, Shenzhen, China www.amphenolrf.com | |
| | REFERENCE EAR # AND | ENGINEER BALAJI M | DATE 19-AUG-08 | | | | |
| NOTICE - These drawings, specifications, or other data (1) are, and remain the property of Amphenol corp. (2) must be returned upon request; and (3) are confidential and not to be disclosed to any person other than those to whom they are given by Amphenol Corp. the furnishing of these drawings, specifications, or other data by Amphenol Corp., or to any other person to anyone for any purpose is not to be regarded by implication or otherwise in any manner licensing, granting rights to permitting such holder or any other sperson to manufacture, use or sell any product, process or design, patented or otherwise, that may in any way be related to or disclosed by said drawings, specifications, or other data. | CONFIGURATION LEVEL: | APPROVED K. CAPOZZI | DATE 1/23/09 | SCALE: 4.5:1.0 | SHEET 2 OF 2 | DRAWING NO.131-91050 | |
| | FINISH | Root Folder/APC-7/131-91050 | CAD FILE | | DWG SIZE B | CODE ID 74868 | REV J |