

5

4

3

2

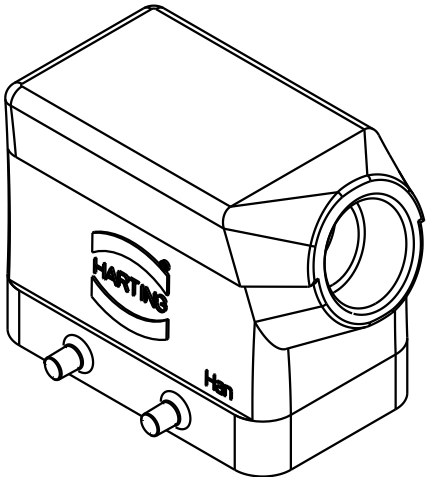
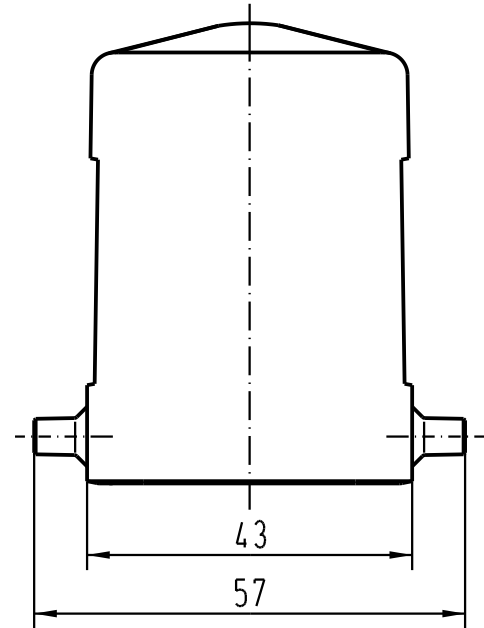
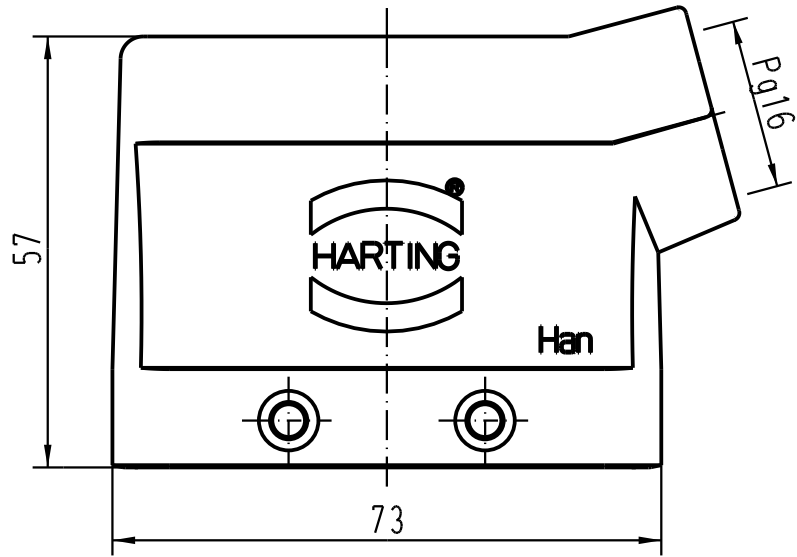
1



D

C

B

A



|   |      |                                |                   |   |  |   |
|---|------|--------------------------------|-------------------|---|--|---|
|  All Dimensions in mm<br>Original Size DIN A 4 |      | Techn. Character.              |                   |   | Nicht tolerierte Masse/ Free size tolerances |   |
|   |      |                                | Dat.              | Name  | Massestab/Scale<br><b>1:1</b>                | <b>Han 3HvE-gs-Pg16</b><br>Tüllengehäuse/<br>hoods side-entry |
|   |      | Detail.                        | 03.09.03          | DY  |  |   |
|   |      | Insp.                          |                   | KR  |  |   |
|   |      | Stand.                         |                   |   |  |   |
| 410609  |      | HARTING Electric GmbH & Co. KG |                   |  | <b>TB 09 34 003 0501</b>                     | Blatt/ page   |
| Mod.  | Dat. | Name                           | D-32339 Espelkamp |   |  |   |