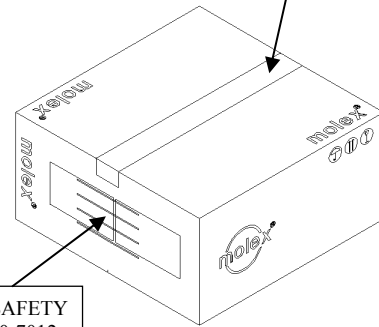
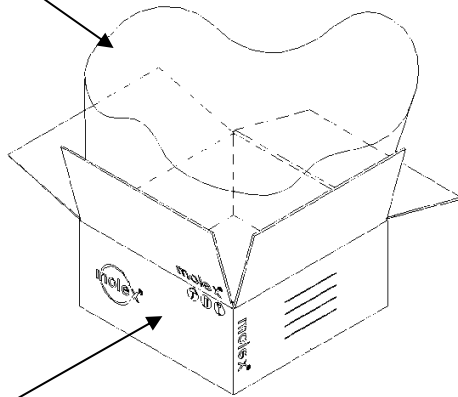




PACKAGING SPECIFICATION

LINER BAG
PART NUMBER: SEE CHART
PER ES-40000-7011

ADHESIVE TAPE PER
ES-40000-7013



CARTON
PART NUMBER: SEE CHART
PER ES-40000-7007

PRODUCT ID AND SAFETY
LABEL PER ES-40000-7012

- 1) CARTON BOTTOMS CLOSED WITH STAPLES TOPS CLOSED WITH 2" WIDE TAPE.
- 2) BAGS LINE THE BOX AND MAY BE CLOSED WITH A REUSABLE CLIP.
- 3) MOISTURIZATION ON PARTS WHEN NOTED (2% BY WEIGHT PER BAG)

| CIRCUIT SIZE | ENGINEERING NUMBER | MOISTURIZE (SEE NOTE 3) | CARTON PART NUMBER | LINER BAG PART NUMBER | PARTS PER CARTON (SPQ) |
|--------------|---------------------|-------------------------|--------------------|-----------------------|------------------------|
| 2 | 2695-2 2695-2R | NO | 30907-3001 | 31300-6440 | 10,000 |
| 2 | 2695-2RP | NO | 30907-3001 | 31300-6440 | 7,500 |
| 3 | ALL | NO | 30907-3001 | 31300-6440 | 5,000 |
| 4 | ALL | NO | 30907-3001 | 31300-6440 | 5,000 |
| 5 | ALL | NO | 30907-3001 | 31300-6440 | 2,500 |
| 6 | ALL | NO | 30907-3001 | 31300-6440 | 2,500 |
| 7 | ALL | NO | 30907-3001 | 31300-6440 | 2,500 |
| 8 | ALL | NO | 96707-0014 | 31300-8790 | 5,000 |
| 9 | ALL | NO | 96707-0014 | 31300-8790 | 6,000 |
| 10 | ALL | NO | 96707-0014 | 31300-8790 | 4,500 |
| 11 | ALL | NO | 96707-0014 | 31300-8790 | 4,500 |
| 12 | ALL | NO | 96707-0014 | 31300-8790 | 4,000 |
| 13 | ALL | NO | 96707-0014 | 31300-8790 | 4,000 |
| 14 | 2695-14 2695-14R | NO | 96707-0014 | 31300-8790 | 3,500 |
| 14 | 2695-14RP | NO | 96707-0014 | 31300-8790 | 3,000 |
| 15 | ALL | NO | 96707-0014 | 31300-8790 | 3,000 |
| 16 | ALL | NO | 96707-0014 | 31300-8790 | 3,000 |

| | | | |
|---|--|---|--------------------------------------|
| <u>REVISION:</u> A | <u>ECR/ECN INFORMATION:</u> EC No: UCP2011-2220 DATE: 2012-04-05 | <u>TITLE:</u> BULK PACKAGING SPECIFICATIONS FOR: KK 2695 SERIES | <u>SHEET No.</u> 1 of 1 |
| <u>DOCUMENT NUMBER:</u> PK-2695-001 | <u>CREATED / REVISED BY:</u> MKIPPER | <u>CHECKED BY:</u> BANDERSON | <u>APPROVED BY:</u> FSMITH |