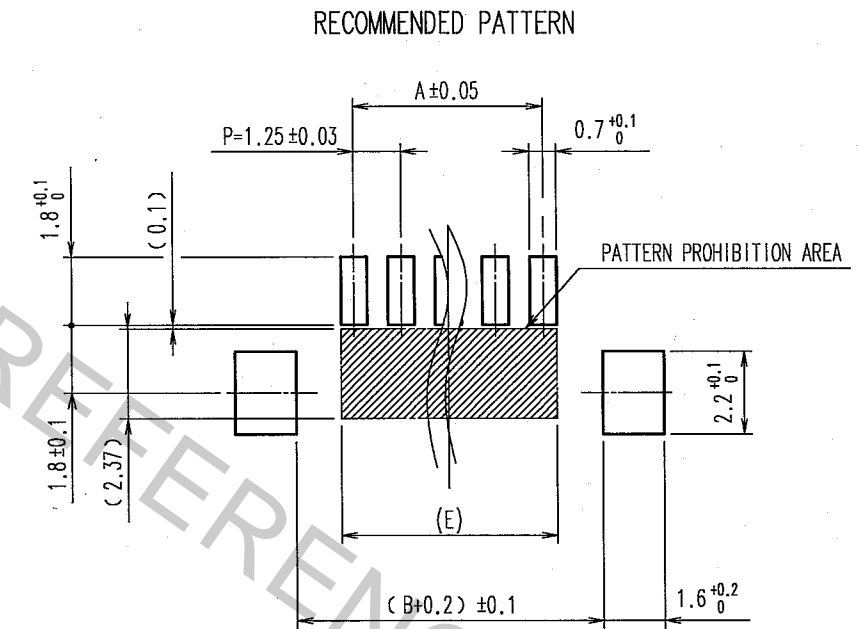
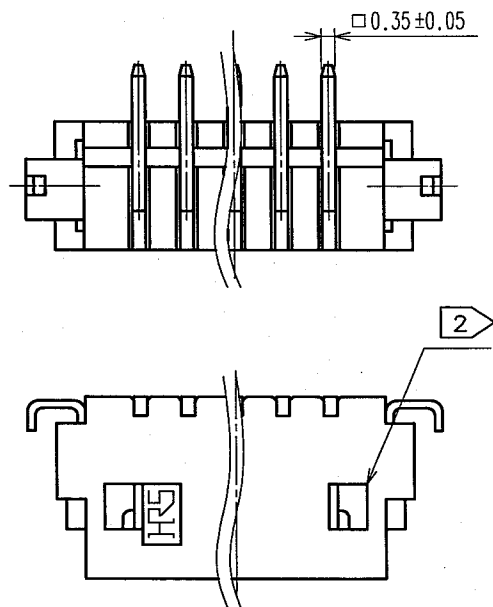
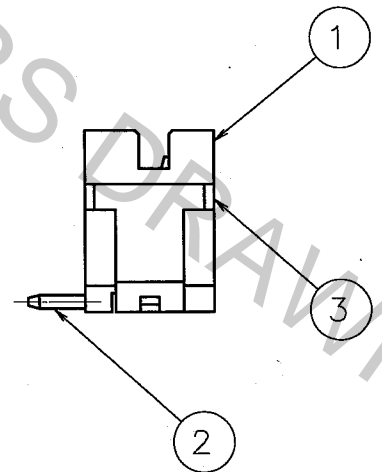
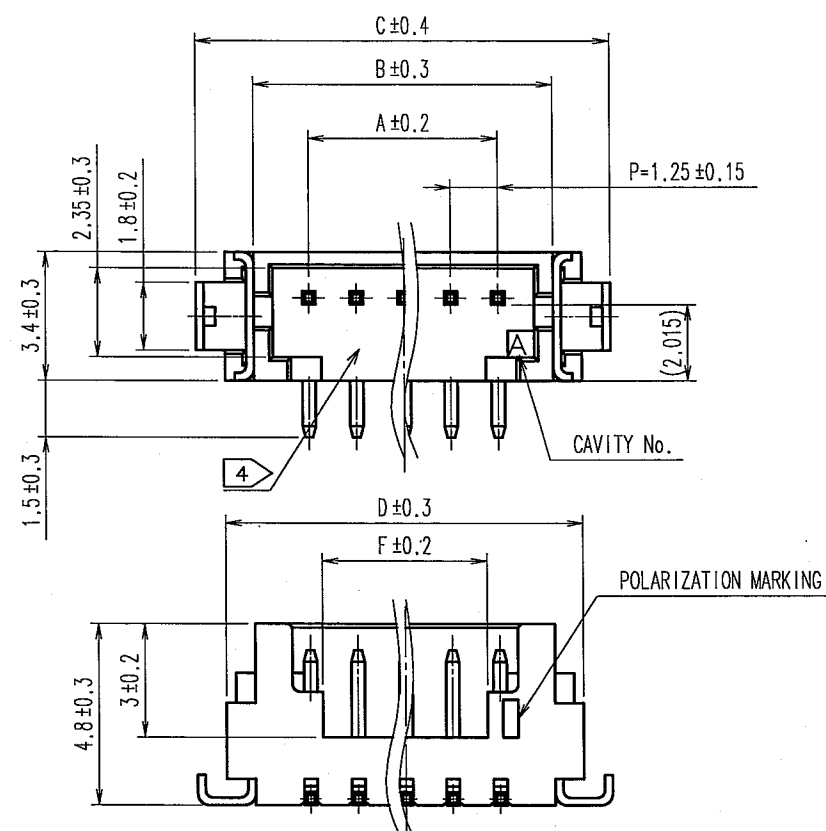


| COUNT | DESCRIPTION OF REVISIONS | BY | CHKD | DATE | COUNT | DESCRIPTION OF REVISIONS | BY | CHKD | DATE |
|-------|--------------------------|----|------|------|-------|--------------------------|----|------|------|
| △ | | | | .. | △ | | | | .. |
| △ | | | | .. | △ | | | | .. |
| △ | | | | .. | △ | | | | .. |

| CODE No. | CONTACT | A | B | C | D | E | F |
|-----------------|---------|-------|-------|-------|-------|-------|-------|
| CL536-0401-2-51 | 2 | 1.25 | 4.15 | 7.15 | 5.65 | 1.95 | 2.2 |
| CL536-0402-5-51 | 3 | 2.5 | 5.4 | 8.4 | 6.9 | 3.2 | 3.45 |
| CL536-0403-8-51 | 4 | 3.75 | 6.65 | 9.65 | 8.15 | 4.45 | 3.1 |
| CL536-0404-0-51 | 5 | 5.0 | 7.9 | 10.9 | 9.4 | 5.7 | 4.35 |
| CL536-0405-3-51 | 6 | 6.25 | 9.15 | 12.15 | 10.65 | 6.95 | 5.6 |
| CL536-0406-6-51 | 7 | 7.5 | 10.4 | 13.4 | 11.9 | 8.2 | 6.85 |
| CL536-0407-9-51 | 8 | 8.75 | 11.65 | 14.65 | 13.15 | 9.45 | 8.1 |
| CL536-0408-1-51 | 9 | 10.0 | 12.9 | 15.9 | 14.4 | 10.7 | 9.35 |
| CL536-0409-4-51 | 10 | 11.25 | 14.15 | 17.15 | 15.65 | 11.95 | 10.6 |
| CL536-0410-3-51 | 11 | 12.5 | 15.4 | 18.4 | 16.9 | 13.2 | 11.85 |
| CL536-0411-6-51 | 12 | 13.75 | 16.65 | 19.65 | 18.15 | 14.45 | 13.1 |
| CL536-0413-1-51 | 14 | 16.25 | 19.15 | 22.15 | 20.65 | 16.95 | 15.6 |
| CL536-0414-4-51 | 15 | 17.5 | 20.4 | 23.4 | 21.9 | 18.2 | 16.85 |



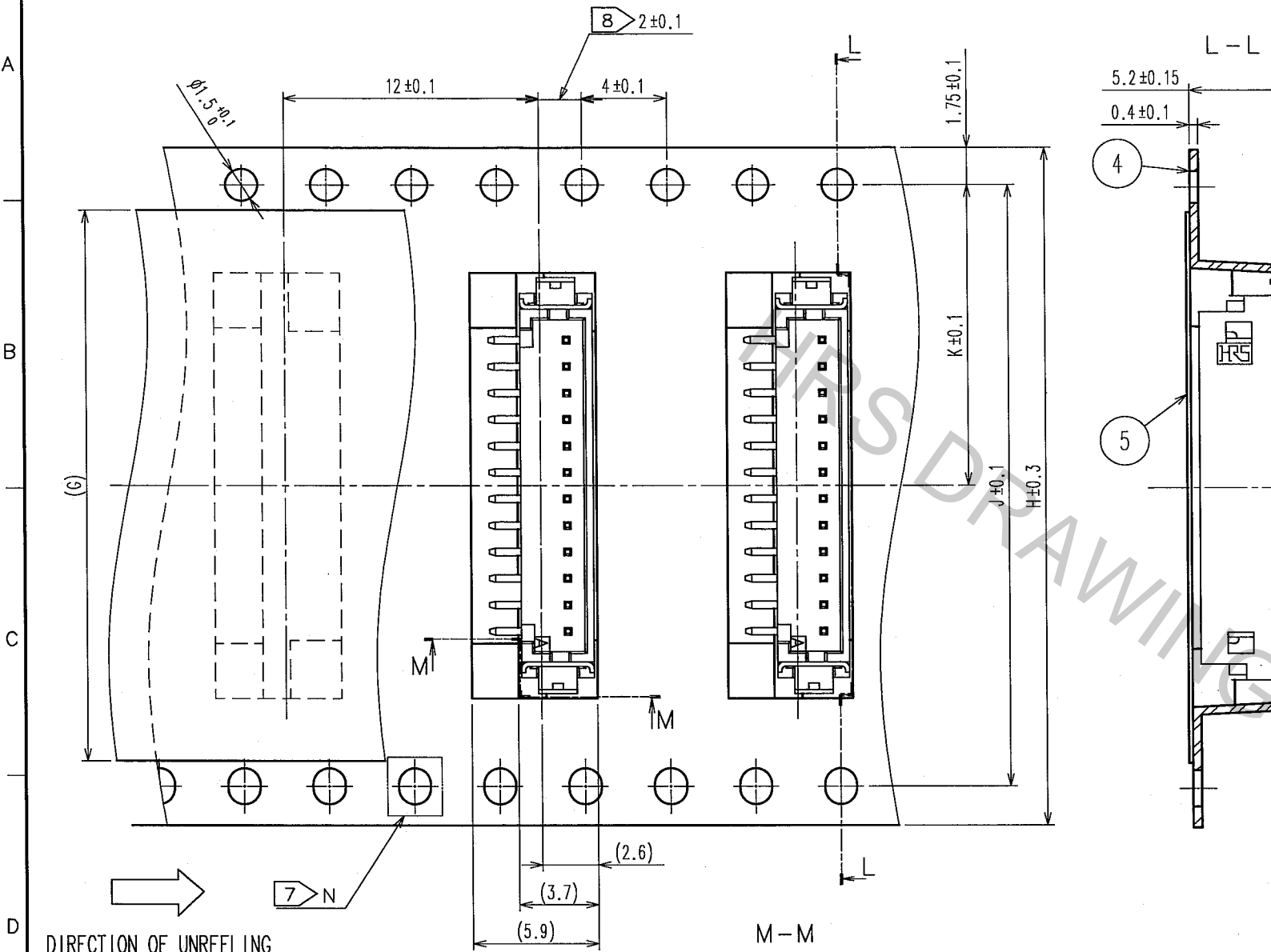
- NOTES
- 1 WHEN THIS CONNECTOR MATES WITH DF13-*S-1.25C, THE MATING LENGTH IS 5.8mm.
 - 2 WHEN THIS CONNECTOR HAS TWO OR THREE CONTACTS, THE LOCK SHALL BE SET AT THE CENTER OF HOUSING. IF MORE THAN FOUR, THE TWO LOCKS SHALL BE SET AS SHOWN ON THIS DRAWING.
 - 3 LEAD CO-PLANARITY INCLUDING REINFORCED METAL FITTINGS SHALL BE WITHIN 0.1mm.
 - 4 AREA TO PICK AND PLACE.

| | | | | | |
|----------------|-----------|--|--------------------|-------------|------------------------------|
| 2 | BRASS | SURFACE: GOLD PLATED 0.2μm min UNDAR PLATING: NICKEL PLATED 0.5μm min | 5 | POLYESTER | COVER TAPE, CLEAR |
| 1 | POLYAMIDE | UL94V-0, (BEIGE) | 4 | PS | EMBOSSED CARRIER TAPE, CLEAR |
| No. | MATERIAL | FINISH, REMARKS | No. | MATERIAL | FINISH, REMARKS |
| REMARKS | | | DRAWN | DESIGNED | CHECKED |
| | | | A.Miura | T. Kumagawa | H. Umehara |
| | | | '06.06.08 | '06.06.08 | '06.06.09 |
| | | | APPROVED | RELEASED | |
| | | | J. Oma | | |
| | | | '06.06.09 | | |
| CODE NO. (OLD) | SCALE | DRAWING NO. | PART NO. | | |
| CL | 5 : 1 | EDC3-083672-04 | DF13C-*P-1.25V(51) | | |
| | UNITS | HRS | CODE NO. | | |
| | mm | HIROSE ELECTRIC CO., LTD. | CL536- | | |

| |
|----|
| TO |
| |
| |
| |

Apr.1.2017 Copyright 2017 HIROSE ELECTRIC CO., LTD. All Rights Reserved.

| COUNT | DESCRIPTION OF REVISIONS | BY | CHKD | DATE | COUNT | DESCRIPTION OF REVISIONS | BY | CHKD | DATE |
|-------|--------------------------|----|------|------|-------|--------------------------|----|------|------|
| | | | | | | | | | |
| | | | | | | | | | |
| | | | | | | | | | |



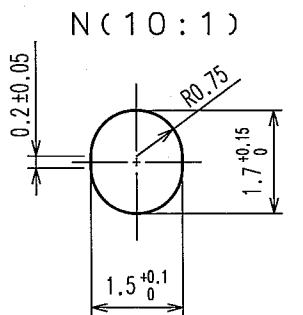
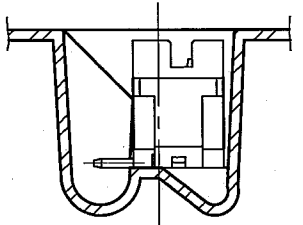
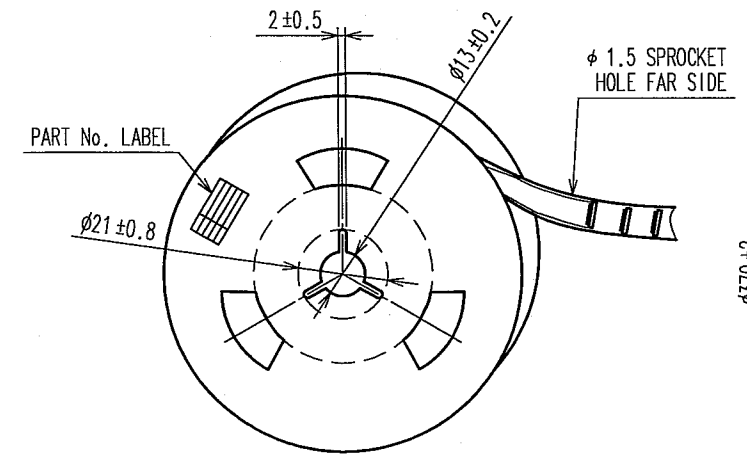
| CODE No. | CONTACT | G | H | J | K | L |
|-----------------|---------|------|----|------|------|------|
| CL536-0401-2-51 | 2 | 13.5 | 16 | / | 7.5 | 16.4 |
| CL536-0402-5-51 | 3 | 13.5 | 16 | / | 7.5 | 16.4 |
| CL536-0403-8-51 | 4 | 21.5 | 24 | / | 11.5 | 24.4 |
| CL536-0404-0-51 | 5 | 21.5 | 24 | / | 11.5 | 24.4 |
| CL536-0405-3-51 | 6 | 21.5 | 24 | / | 11.5 | 24.4 |
| CL536-0406-6-51 | 7 | 21.5 | 24 | / | 11.5 | 24.4 |
| CL536-0407-9-51 | 8 | 21.5 | 24 | / | 11.5 | 24.4 |
| CL536-0408-1-51 | 9 | 21.5 | 24 | / | 11.5 | 24.4 |
| CL536-0409-4-51 | 10 | 21.5 | 24 | / | 11.5 | 24.4 |
| CL536-0410-3-51 | 11 | 26 | 32 | 28.4 | 14.2 | 32.4 |
| CL536-0411-6-51 | 12 | 26 | 32 | 28.4 | 14.2 | 32.4 |
| CL536-0413-1-51 | 14 | 26 | 32 | 28.4 | 14.2 | 32.4 |
| CL536-0414-4-51 | 15 | 37 | 44 | 40.4 | 20.2 | 44.4 |

9) DETAIL OF PART No. LABEL

| | |
|----------------------|--------------------------|
| DATE OF MANUFACTURED | 年 月 日 |
| CODE No. | |
| PART No. | DF13C-*P-1.25V(51) |
| QUANTITY | 1000k o |
| SUPPLIER | HIROSE ELECTRIC CO.,LTD. |

- NOTES
- 5 1 REEL : 1000 CONNECTORS.
 - 6 AT THE BEGINNING OF THE REEL, 30 COMPONENTS SHALL BE EMPTY. AT THE END OF THE REEL, 20 COMPONENTS SHALL BE EMPTY.
 - 7 WHEN THE TAPE WIDTH IS 32 OR 44mm, SPROCKET HOLES SHALL BE SET ON BOTH SIDES OF REEL AS SHOWN ON THIS DRAWING.
 - 8 WHEN THE TAPE WIDTH IS 44mm OR OVER, THE TOLERANCE SHALL BE 2±0.15.
 - 9 DETAIL OF PART No. LABEL IS WRITTEN IN JAPANESE.
 - 10 PEEL FORCE BETWEEN EMBOSSED CARRIER TAPE AND COVER TAPE IS 0.1~0.7N.

STYLE AND DIMENSION OF REEL



| |
|----|
| TO |
| |
| |
| |

| | | | | | |
|-------------------------------|-------------------------------|-------------------------|--------------------------------|--------------------|----------|
| REMARKS | DRAWN | DESIGNED | CHECKED | APPROVED | RELEASED |
| | A.Miura '06.06.08 | T.Kumagawa '06.06.08 | H.Umehara '06.06.09 | J.Oma '06.06.09 | |
| CODE NO. (OLD) | DRAWING NO. EDC3-083672-04 | | PART NO. DF13C-*P-1.25V(51) | | |
| SCALE FR:EE UNITS mm | HIROSE ELECTRIC CO.,LTD. | | CODE NO. CL536- | | 2 |