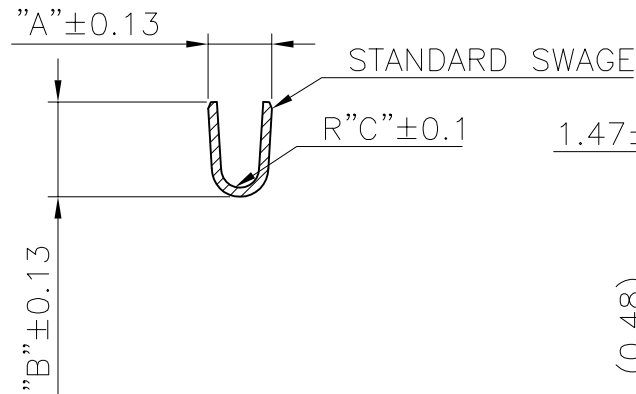


PRODUCT NO.	PLATING CODE	AWG RANGE	SPRING THICKNESS
75241-032LF	A	22-26	0.17
75241-031LF	A	22-26	0.09
75241-030LF	A	22-26	0.12
75241-029LF	A	28-32	0.17
75241-028LF	A	28-32	0.12
75241-027LF	B	22-26	0.17
75241-026LF	B	22-26	0.09
75241-025LF	B	22-26	0.12
75241-024LF	B	28-32	0.17
75241-023LF	B	28-32	0.12
75241-015LF	C	22-26	0.17
75241-014LF	C	22-26	0.09
75241-013LF	C	22-26	0.12
75241-004LF	C	28-32	0.17
75241-003LF	C	28-32	0.09
75241-002LF	C	28-32	0.12
75241-XXXLF IS SIMILAR TO 75241-XXX, THE SUFFIX 'LF' IS ADDED FOR LEAD FREE IDENTIFICATION.			

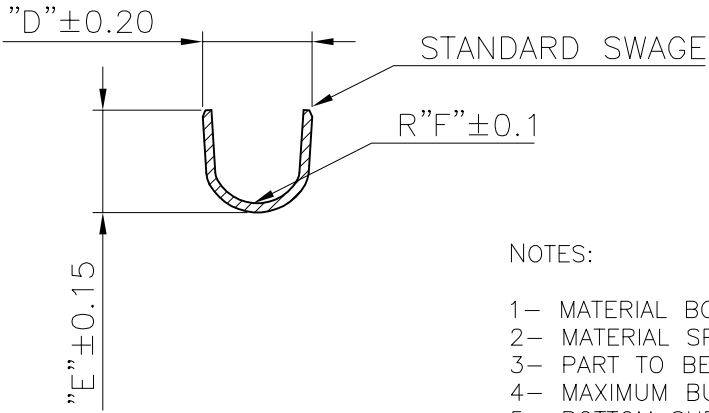
AWG RANGE	WIRE BARREL			INSULATION BRL.			INSULATION RANGE
	A	B	C	D	E	F	
22-26	1.78	1.78	0.43	1.70	1.93	0.56	0.51-1.14
28-32	1.37	1.47	0.28	1.70	1.93	0.56	0.51-1.14

PLATING CODE	PLATING THICKNESS			UNDER LAYER
	CONTACT AREA	INSIDE BOX	REMAINDER	
A	0.76µm Au	0.2µm Au	GOLD FLASH	1.3µm Ni
B	1.0µm Au	0.2µm Au	GOLD FLASH	1.3µm Ni
C	1.0µm Au	0.2µm Au	0.2µm Au	1.3µm Ni

SECTION J-J  
WIRE BARREL

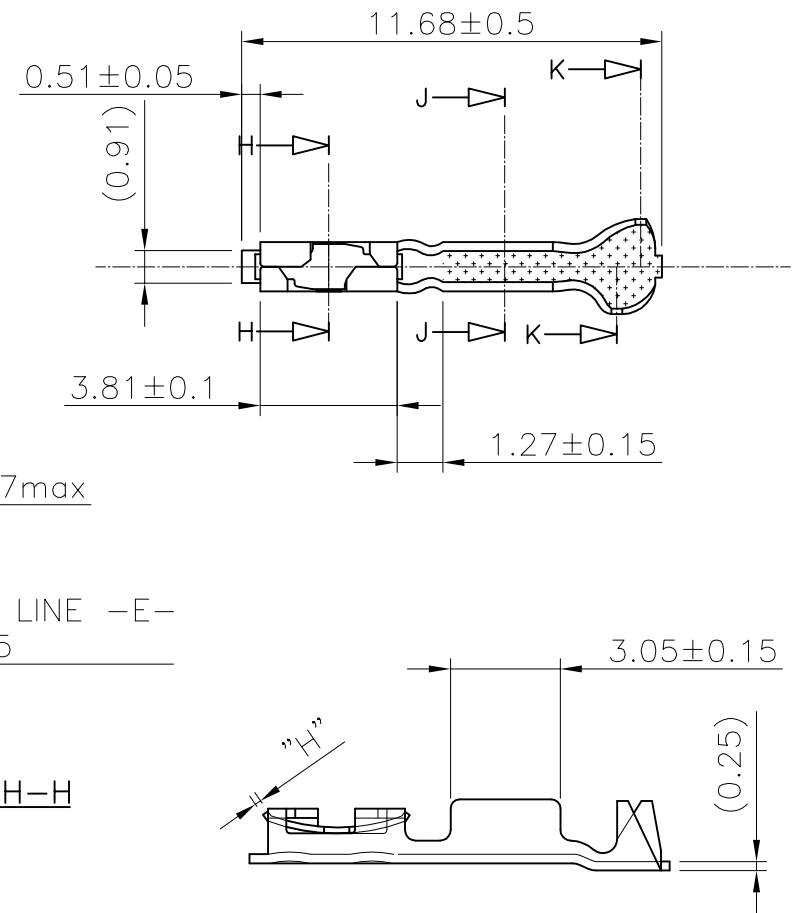


SECTION K-K  
INSULATION BARREL



NOTES:

- 1- MATERIAL BOX: BRASS ASTM B36, ALLOY C26000-H01.
  - 2- MATERIAL SPRING: BERYLLIUM COPPER ASTM B194, ALLOY C17200-TF00.
  - 3- PART TO BE LUBRICATED TO FACILITATE CRIMPING.
  - 4- MAXIMUM BURR ANY EDGE 0.08.
  - 5- BOTTOM SURFACE OF TERMINAL SHALL BE WITHIN 0.08 OVER 8.64 REF. LENGTH AS MEASURED ALONG DATUM LINE -E- ESTABLISHED AT C OF 1.37 DIMENSION PERFECT FORM NOT REQUIRED AT MMC.
  - 6- TAB CUT-OFF DIMENSION IS VERY CRITICAL WHEN USED IN CONJUNCTION WITH MINI-ROD AND MINI-LATCH HOUSING.
  - 7- PART TO MATE WITH 0.64±0.05 SQUARE PIN.
  - 8- APPLICATION SPECIFICATIONS:
    - a- BUS-20-025 PRODUCT SPECIFICATION.
  - 9- RoHS COMPATIBLE PRODUCT SPECIFICATIONS
    - a- PLATING:
      - "LF" MEANS THE PRODUCT IS LEAD-FREE
    - b- LABELING:
      - MEETS PACKAGING SPECS AS PER GS-14-920
      - c- LEGAL STATEMENT: SEE GS-22-008
- THE PRODUCT IS NOT INTENDED TO BE EXPOSED TO A MANUFACTURING SOLDER PROCESS.



mat'l. code		surface		tolerance		projection		product family	
SEE DRAWING		ISO 1302		ISO 406		ISO 101		BERGCON	
ltr	ecn no	dr	date	tolerances unless otherwise specified		mm		title	
C	F20410	OMA	92.08.03	angles	linear	±13		CTW MINI PV	
D	F05-0235	DLE	05.09.13	±2'		scale 10:1		L. Pce SMALL INSULA.	
E	F05-0286	DLE	05.11.07	dr	D LEGRAND	05.08.30	dwg no		sheet 1 of 1
F	F06-0217	DLE	06.07.11	enr	P NIZZI	05.08.30	75241		size
G	F08-0160	PNZ	08.04.21	chr	COMPAGNON	05.08.30	type		A3
sheet index		revision sheet		appd		P NZ		CUSTOMER Drawing	