

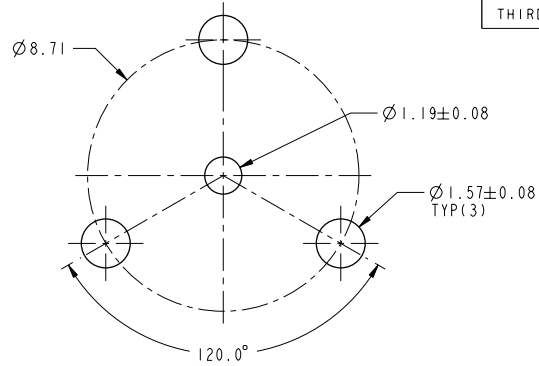
NOTES:

1. MATERIALS AND FINISHES:  
 BODY - ZINC DIECAST, BRIGHT ACID TIN PLATING  
 CONTACT - BeCu, GOLD PLATING  
 INSULATOR - PTFE, NATURAL

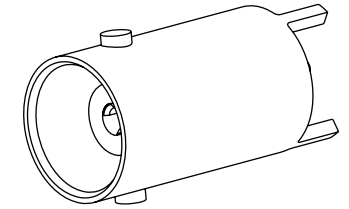
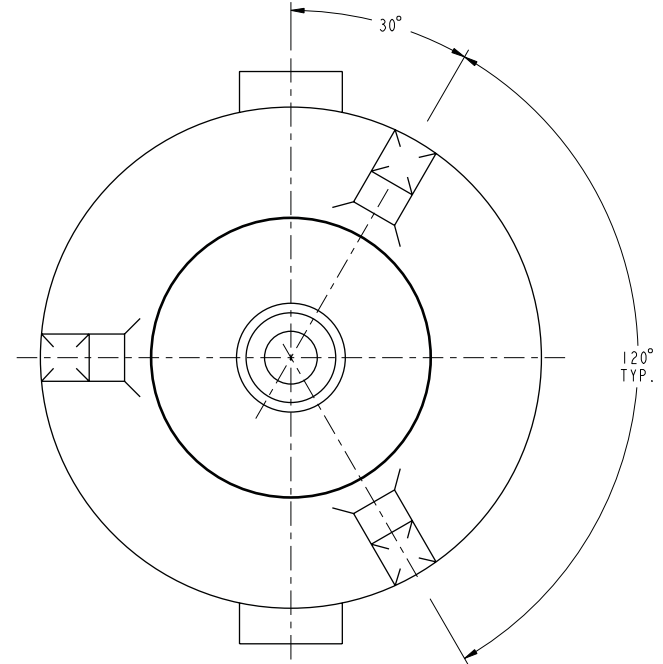
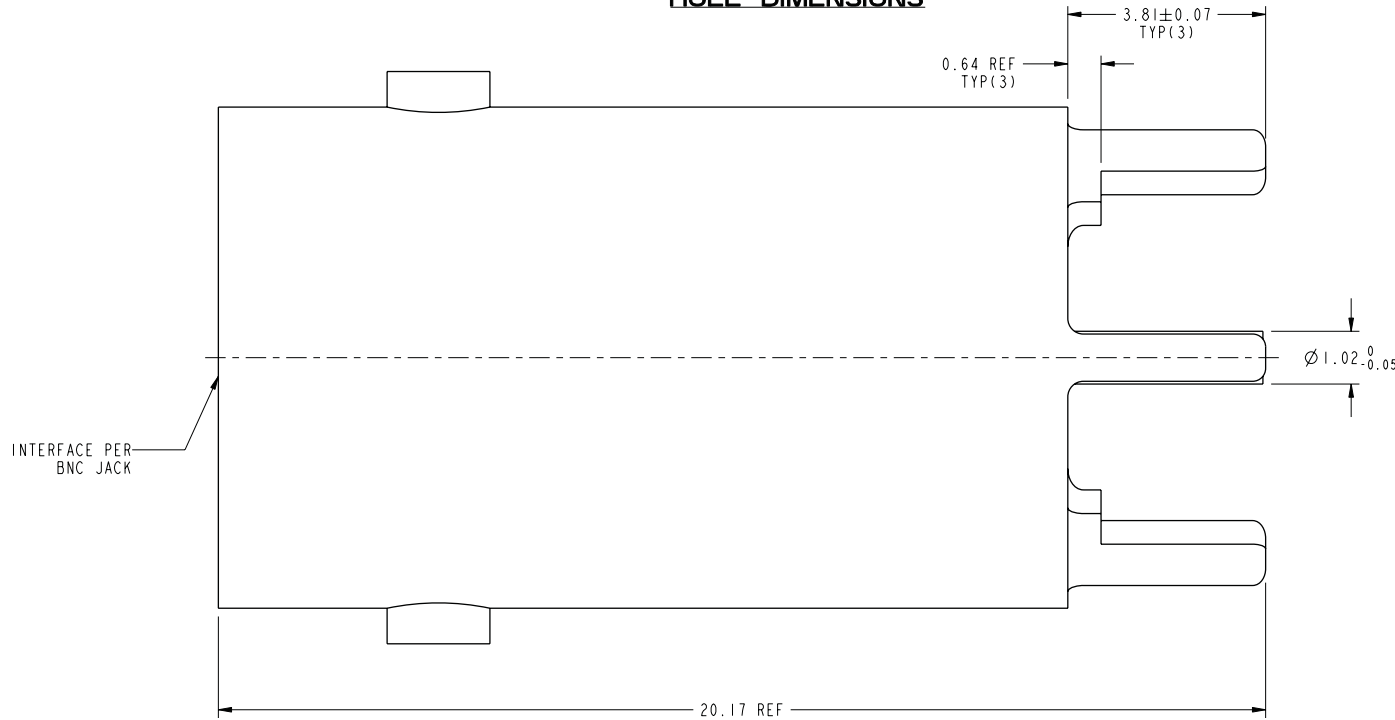
2. ELECTRICAL:  
 A. IMPEDANCE: 50 OHM  
 B. FREQUENCY RANGE: DC - 4 GHz  
 C. DIELECTRIC WITHSTANDING VOLTAGE: 1500 VRMS, MIN.

3. MECHANICAL:  
 A. DURABILITY: 500 CYCLES MIN.  
 B. TEMPERATURE RANGE: -65° C TO +165° C

4. PACKAGING:  
 A. QUANTITY: SINGLE PACK  
 B. MARKING: BAG TO BE MARKED  
 "AMPHENOL RF, 31-5329, AND DATE CODE"



**RECOMMENDED MOUNTING HOLE DIMENSIONS**



SCALE 3.000

THIRD ANGLE PROJ.

REVISIONS

REV	DESCRIPTION	DATE	ECO	APPR
B	SEE SHEET 1	16-Feb-05	--	S.HSIEH
K	REDRAWN TO UPDATE FORMAT	03-Sep-09	47237	--
L	REDRAWN IN PRO-E	22-May-15	49810	MD

**CUSTOMER OUTLINE DRAWING**

ALL OTHER SHEETS ARE FOR INTERNAL USE ONLY

UNLESS OTHERWISE SPECIFIED, DIMENSIONS ARE IN METRIC AND TOLERANCES ARE:  

<0.5mm	0.5 - 6mm	6 - 30mm	30 - 120mm	ANGLES
± 0.05mm	±0.1mm	±0.2mm	± 0.3mm	±1°

NOTICE - These drawings, specifications, or other data (1) are, and remain the property of Amphenol Corp. (2) must be returned upon request; and (3) are confidential and not to be disclosed to any person other than those to whom they are given by Amphenol Corp. the furnishing of these drawings, specifications, or other data by Amphenol Corp., or to any other person to anyone for any purpose is not to be regarded by implication or otherwise in any manner licensing, granting rights to permitting such holder or any other person to manufacture, use or sell any product, process or design, patented or otherwise, that may in any way be related to or disclosed by said drawings, specifications, or other data.

MATERIAL	SEE NOTES	DRAWN	M.DONG	DATE	14-May-15	TITLE	BNC STR 3 LEG RECEPTACLE PCB MOUNT	Amphenol RF www.amphenolrf.com
REFERENCE		ENGINEER	S.HSIEH	DATE	16-Feb-05			
CONFIGURATION LEVEL:	In Work	APPROVED	S.HSIEH	DATE	18-May-15	SCALE: 10.0:1.0	SHEET 2 OF 2	DRAWING NO. 31-5329
FINISH		CAD FILE				DWG SIZE	REV	ITEM NO. 31-5329
						B	L	PART NO. 31-5329