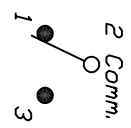
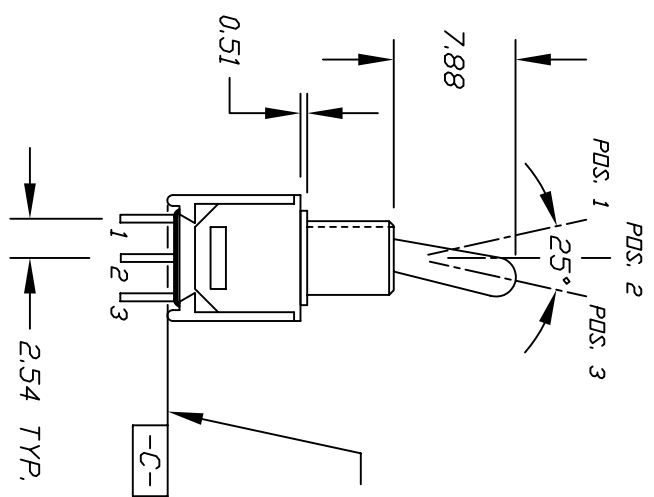
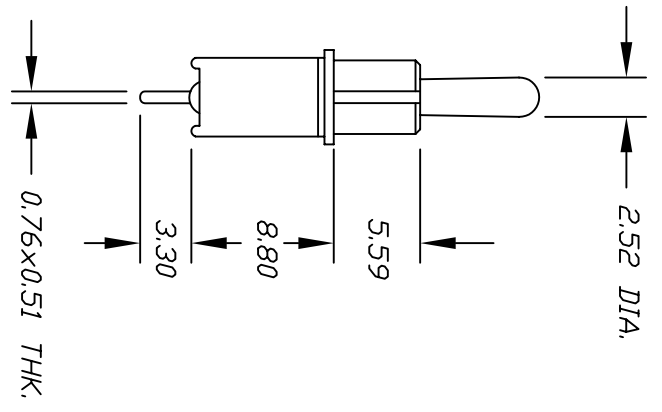


RECOMMEND P.C.B. LAYOUT



CIRCUIT: SPDT

CONTACT CONFIGURATION

SWITCH FUNCTION			
PQS. 1	PQS. 2	PQS. 3	
<DN>	OFF	<DN>	
2-3	OPEN	2-1	

()=Momentary

NOTES:

1. ALL DIMENSIONS IN MM
2. TERM. NOS. FOR REF. ONLY
3. RATING: 0.4 VA Max. @20VAC or DC Max.

REV. A		RELEASED FOR PRODUCTION		DATE		CHKD	
THE INFORMATION CONTAINED IN THIS DOCUMENT IS PROPRIETARY TO E-SWITCH AND IS NOT TO BE COPIED OR TRANSFERRED							
E-SWITCH®							
200 MSP-4 T5 B4 M2 R E							
TOLERANCES		±0.4		±0.25		TITLE	
0.0	0.00					SCALE	DATE
						2:1	11/18/97
						DR	DWG
						MM	T211043
						REV	A