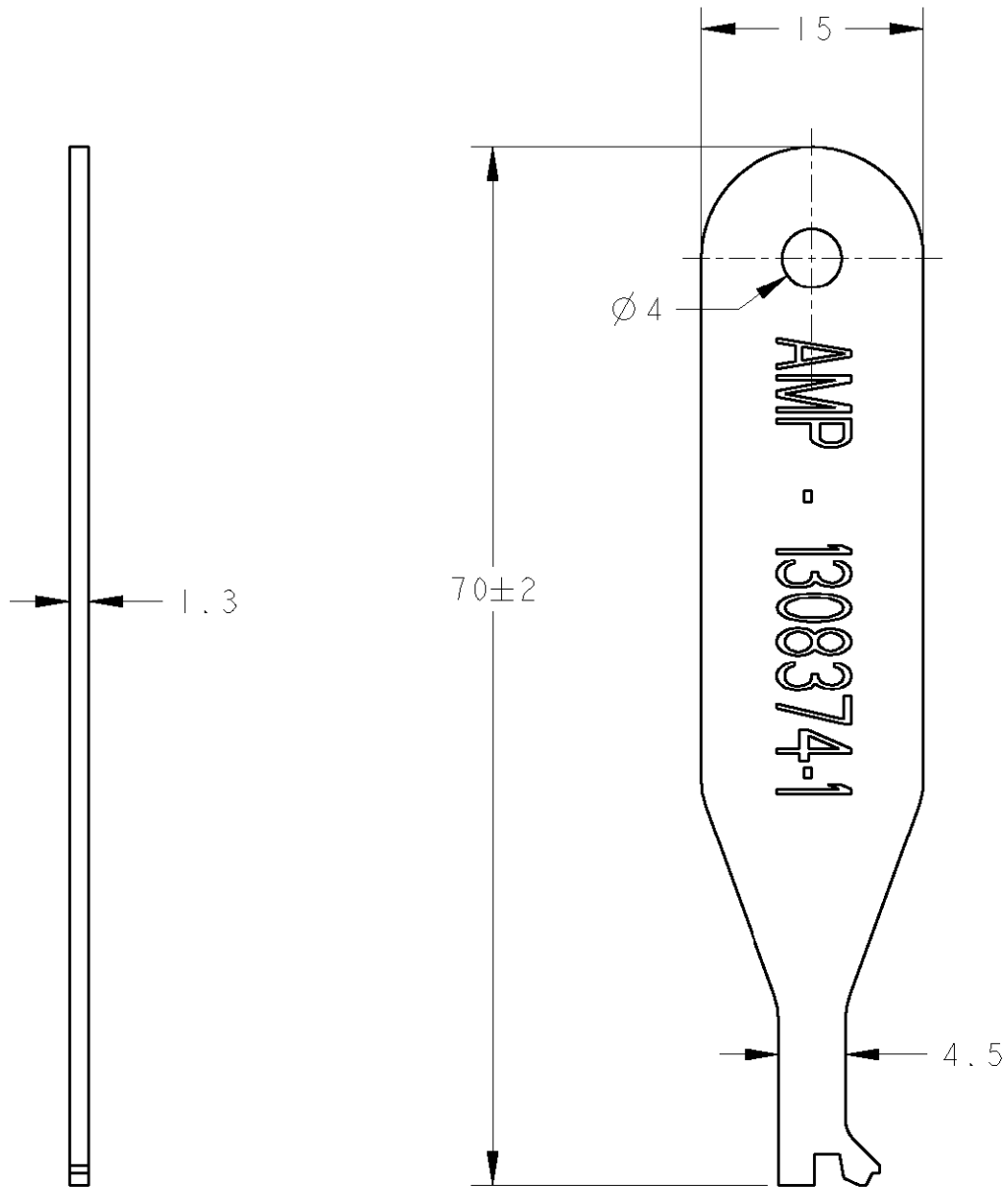


LOC		DIST		REVISIONS			
P	LTR	REV	DESCRIPTION	DATE	DWN	APVD	APP.
			MODIFICATIONS		DESS.		
F		7					



1308374-1	ACIER	EXTRACTEUR MQS
REF AMP	MATIERE	DESCRIPTION

RELEASED FOR PUBLICATION
 LIBRE A LA DIFFUSION

THIS DRAWING IS UNPUBLISHED.
 DIFFUSION RESTREINTE AMP

© COPYRIGHT 19 BY TYCO ELECTRONICS CORPORATION. ALL RIGHTS RESERVED.
 TOUS DROITS RESERVES.

DIMENSIONS: mm		DWN/DESSINE F. JODON 19-avr-00	MATERIAL MATIERE -	FINISH FINITION -
TOLERANCES UNLESS OTHERWISE SPECIFIED: TOLERANCES NON SPECIFIEES (SUIV NB DE DECIMALES): 1 PLC/DEC ±- 2 PLC/DEC ±- 3 PLC/DEC ±0.2 4 PLC/DEC ±- ANGLES ±-		CHK/VERIFIE O. LEMAIRE 19-avr-00	AMP AMP DE FRANCE 95301 PONTOISE	
		APVD/APPROUVE -		
		PRODUCT SPEC SPEC. PRODUIT -	NAME TOUR	
		APPLICATION SPEC SPEC. APPLICATION -	OBJETIL DE DEMONTAGE CLIP ET LANGUETTE MQS POUR CONNECTIQUE A VOLET	
		WEIGHT MASSE APPROX.	SIZE FORMAT A4	CAGE CODE 00779
			DRAWING NO No PLAN C=1308374	RESTRICTED TO RESERVE A -
CUSTOMER DRAWING		/PLAN CLIENT	UNIQUEMENT POUR REFERENCE	SCALE ECHELLE 2:1
			SHEET FEUILLE 1	OF DE 1
				REV 0