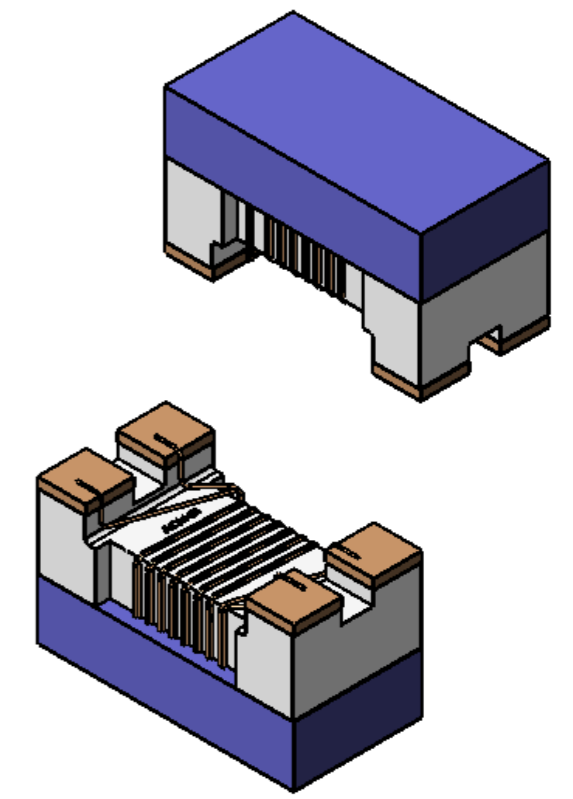
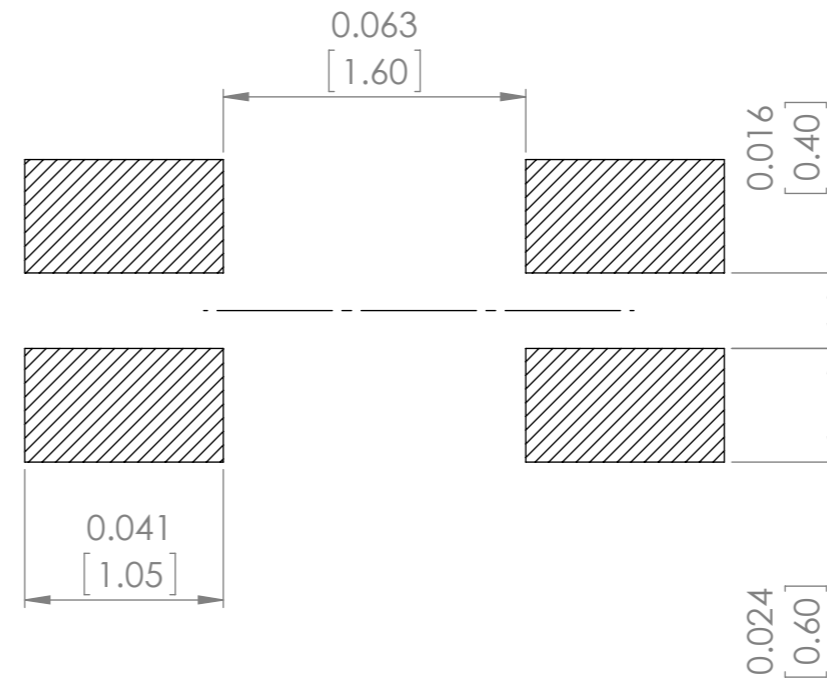



**Recommended Land Pattern**



UNLESS OTHERWISE SPECIFIED: DIMENSIONS ARE IN INCH(MM) SURFACE FINISH: TOLERANCES: LINEAR: ANGULAR:				FINISH:		DEBUR AND BREAK SHARP EDGES		DO NOT SCALE DRAWING		REVISION -	
DRAWN SAAZVAT				SIGNATURE		DATE		 30332 Esperanza, Rancho Santa margarita, California 92688			
CHK'D XXXXXX											
APPV'D								TITLE: Common Mode Choke			
MFG								DWG NO. ACM-31			
Q.A						MATERIAL:		SCALE:25:1			
						WEIGHT:		SHEET 1 OF 1			