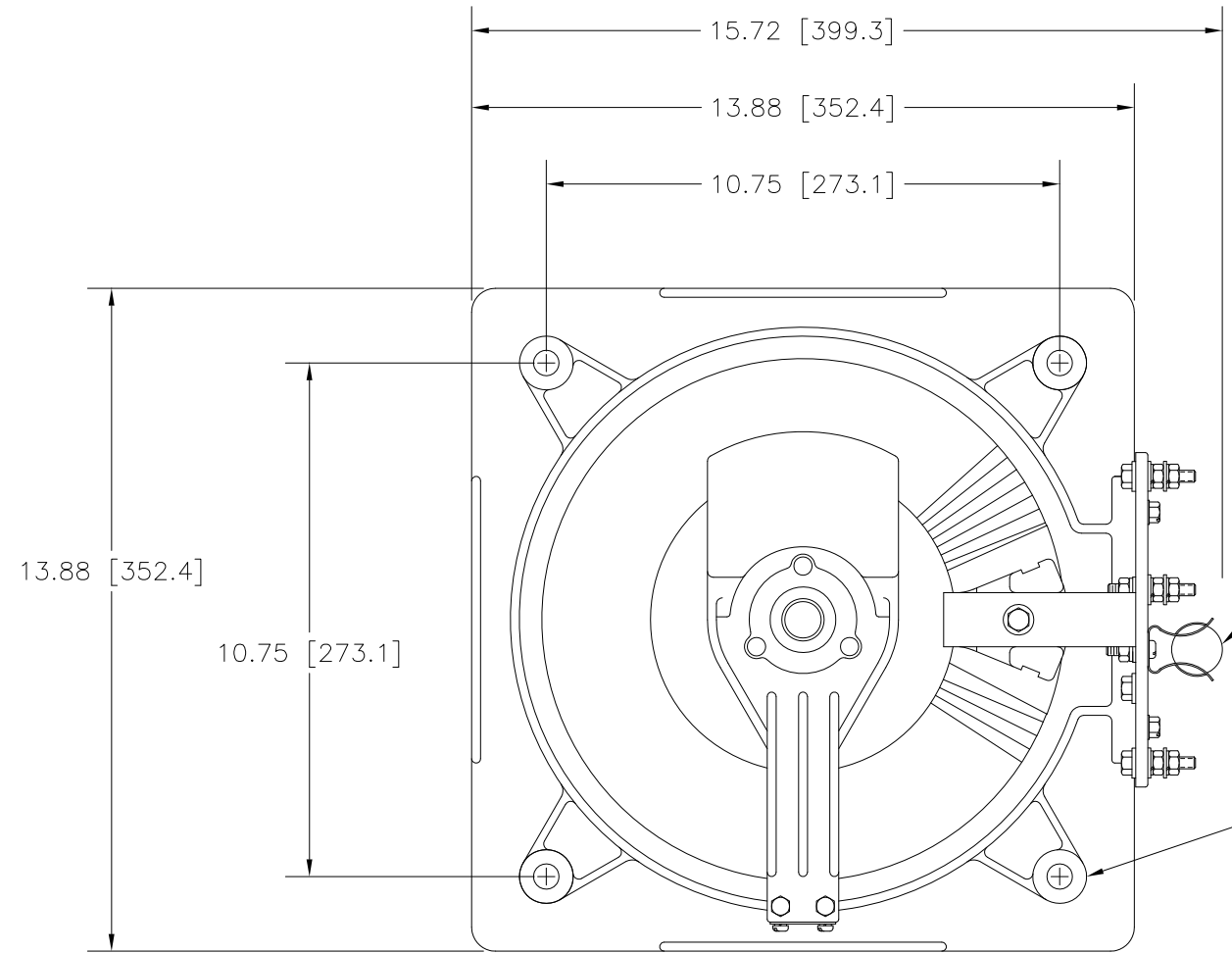
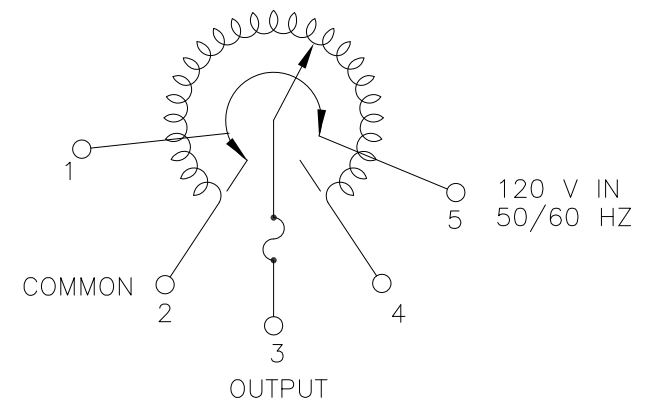
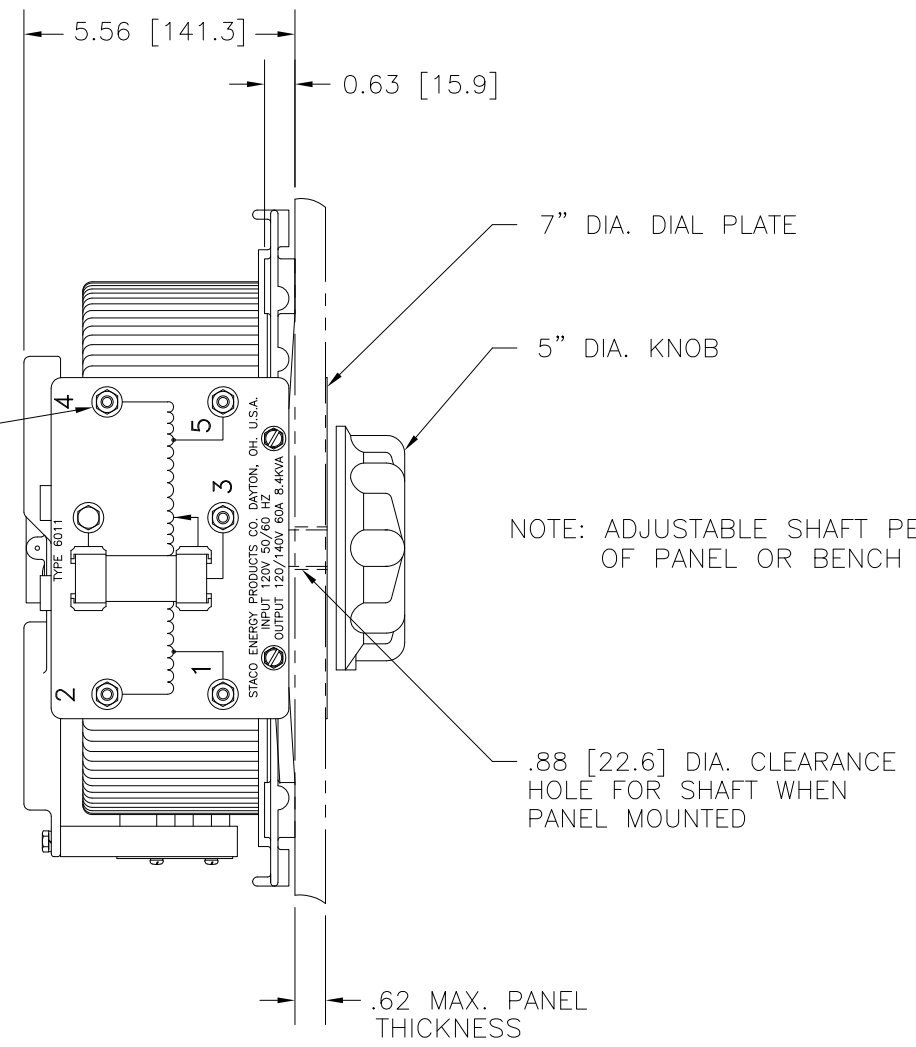


DWG. NO.	032-6001		
REVISIONS			
SYM.	E.C.N.	DATE	APVD.
A	23325	2/13/97	REVISED & UPDATED
B	24309	6/30/00	REVISED & UPDATED
C	25787	10/10/06	UPDATED SCREEN
D	28069	12/4/14	REMOVED CSA LOGO



1/4-20 TERMINAL STUDS
60 AMP FUSE
(4) HOLES FOR .50 [12.7] DIA. TIE RODS



SCHMATIC
VIEW FROM ROTOR END

SPECIFICATIONS								
WIRING	INPUT		OUTPUT			SHAFT ROTATION TO INCREASE VOLTAGE	TERMINAL CONNECTIONS	
	VOLTS	HERTZ	VOLTS	CONSTANT CURRENT LOAD			FOR INCREASING VOLTAGE AS VIEWED FROM ROTOR END	
SINGLE PHASE	120	50/60	0-120	60	7.2	CW	2-4	2-3
			0-140	60	8.4	CCW	4-2	4-3
						CW	2-5	2-3
						CCW	4-1	4-3

UNLESS OTHERWISE SPECIFIED, TOLERANCE IS ±	DECIMALS	HOLES	ANGLES	DRAFT	UNITS	TITLE:	SPEC. CONTROL DWG. VARIABLE TRANSFORMER TYPE: 6011		
.XX	.010-.06	.005	1°	1-1/2°	IN [mm]	DRAWN BY	DATE	FIRST USED ON	
MATERIAL:	ALL DIMENSIONS APPLY AFTER PLATING				CHECKER	DATE	WEIGHT APPROX.	CAGE CODE	DWG. NO.
The information and design disclosed herein was originated by and is the property of STACO ENERGY PRODUCTS CO., which reserves all patent, proprietary, design, manufacturing, reproduction, use and sale rights thereto, and to any article disclosed therein except to the extent rights are expressly granted to others. The foregoing does not apply to vendor proprietary parts.						ENGINEER	DATE	SCALE	DWG. NO.
						TIM RAU	2/2/96	.5=1	032-6001
								SHEET 1 OF 1	