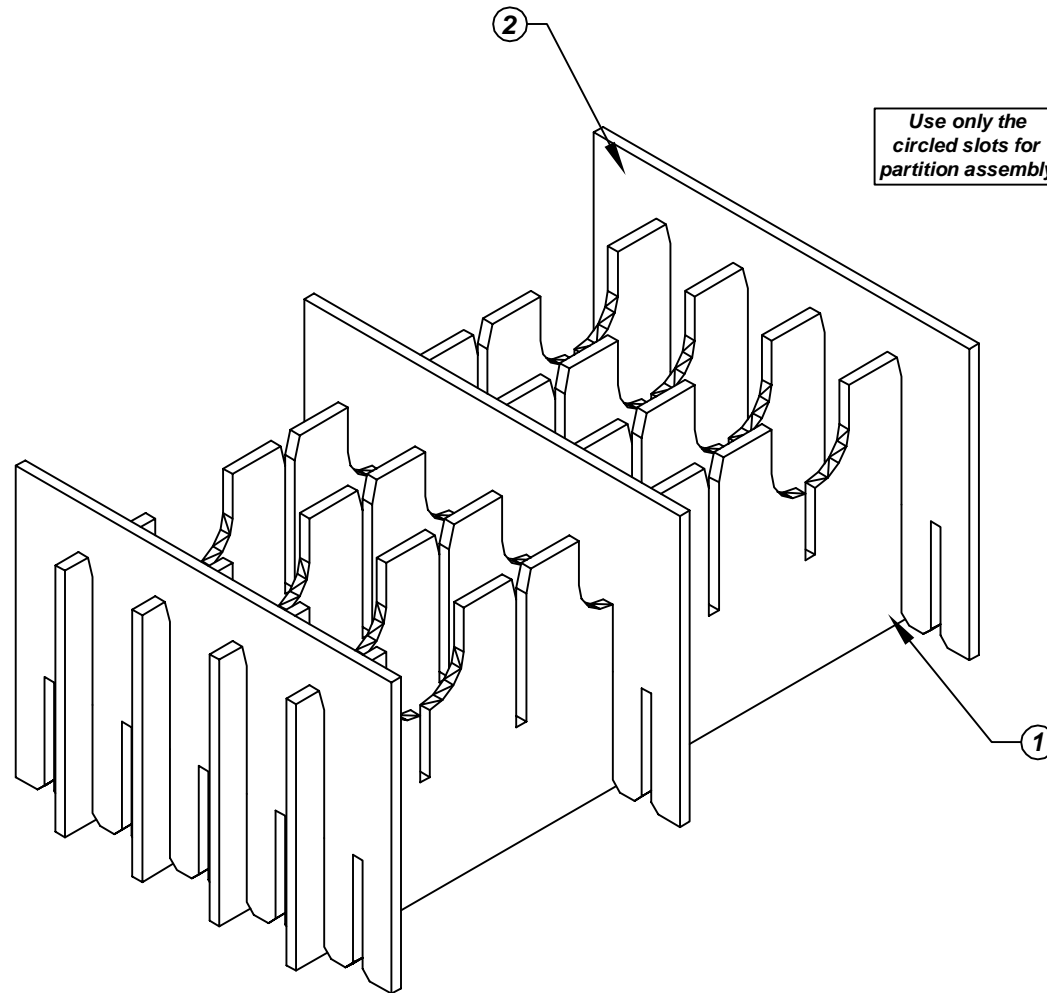
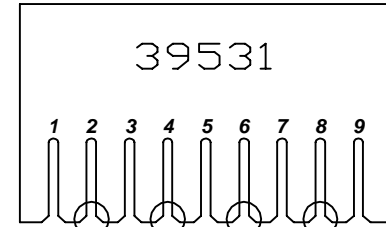


Assembly Instructions for - 37151



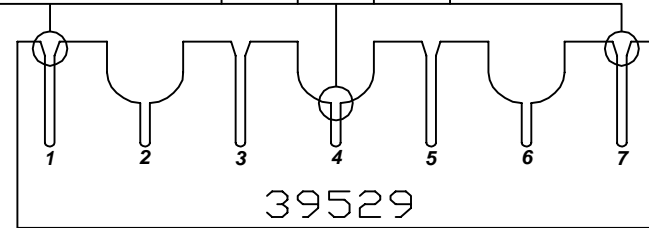
Use only the circled slots for partition assembly

Folded Short Partition

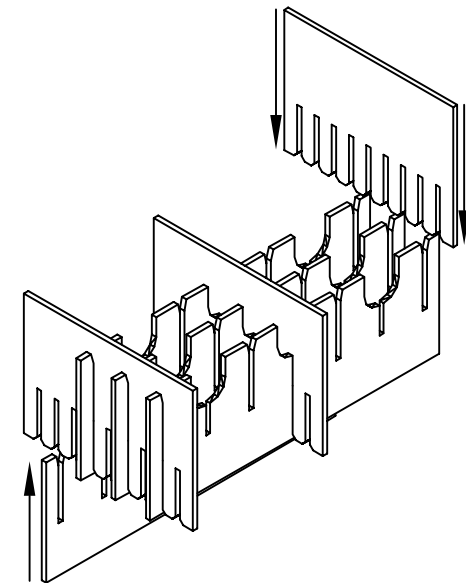


②

Folded Long Partition



①



Made in America

F/N ①	Part # 39529	Dimensions: 12-3/16" x 16-11/16"	Description: 400 - LP Long Partition	Qty: 4
F/N ②	Part # 39531	Dimensions: 14-3/16" x 9-3/4"	Description: 400 - SP Short Partition	Qty: 3

37151 - 10 Cell Inplant Handler Cell Size - 7-1/4" x 7-1/4" x 1-3/4"

Notes:
For use with the following storage container & lid:
37500 - Storage Container
37550 - Lid

PROTEKTIVE PAK
13520 MONTE VISTA AVENUE, CHINO, CA 91710
PHONE (909) 627-2578, FAX (909) 363-7331
ProtectivePak.com



DRAWING NUMBER
IPH-37151

DATE
Dec.
2007