

THIS DRAWING IS UNPUBLISHED.

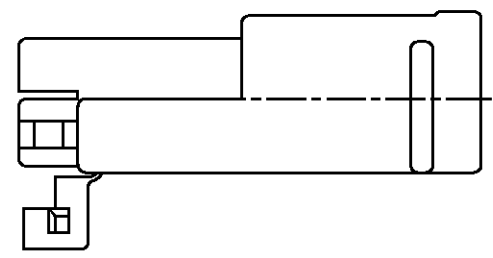
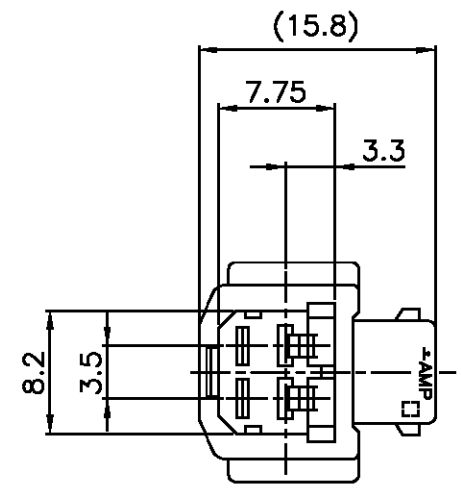
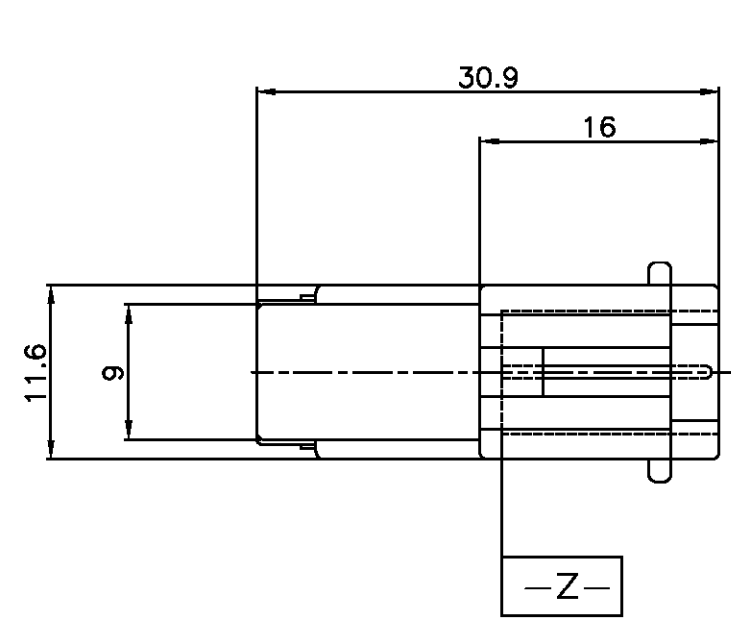
RELEASED FOR PUBLICATION

,19 .

© COPYRIGHT 19

BY AMP INCORPORATED. ALL RIGHTS RESERVED.

LOC	DIST	REVISIONS					
		P	LTR	DESCRIPTION	DATE	DWN	APVD
DS			0	RELEASED(FC00-0002-00)	04,JAN,00	HS	CS
			A	REVISED(FC00-0050-01)	11,MAY,01	MS	CS



NOTES

- 1. MUST BE KEPT FROM AND 2.
- 2. THE MATING PLUG HOUSING PART NUMBER: 368538.
- 3. APPLIED TAB CONTACT P/N: 173645.

①	368545-3	BLACK
	368545-1	NATURAL
	P/N	COLOR

THIS DRAWING IS A CONTROLLED DOCUMENT FOR AMP INCORPORATED. IT IS SUBJECT TO CHANGE AND THE CONTROLLING ENGINEERING ORGANIZATION SHOULD BE CONTACTED FOR THE LATEST REVISION.		DWN MS HER	AMP AMP KOREA. kyungsan, korea			
DIMENSIONS: MM		CHK BM JANG				
TOLERANCES UNLESS OTHERWISE SPECIFIED: 0 <XX<10 ± 0.2 10 <XX<30 ± 0.25 30 <XX ± 0.3 ANGLES ± 3°		APVD CS LEE	NAME .070 MLC 2P CAP HSG.			
3rd ANGLE PROJECTION		PRODUCT SPEC				
MATERIAL P.B.T	FINISH	APPLICATION SPEC	SIZE A3	CAGE CODE 00779	DRAWING NO. © 368545	
		WEIGHT	SCALE 2/1		SHEET 1 OF 1	REV A