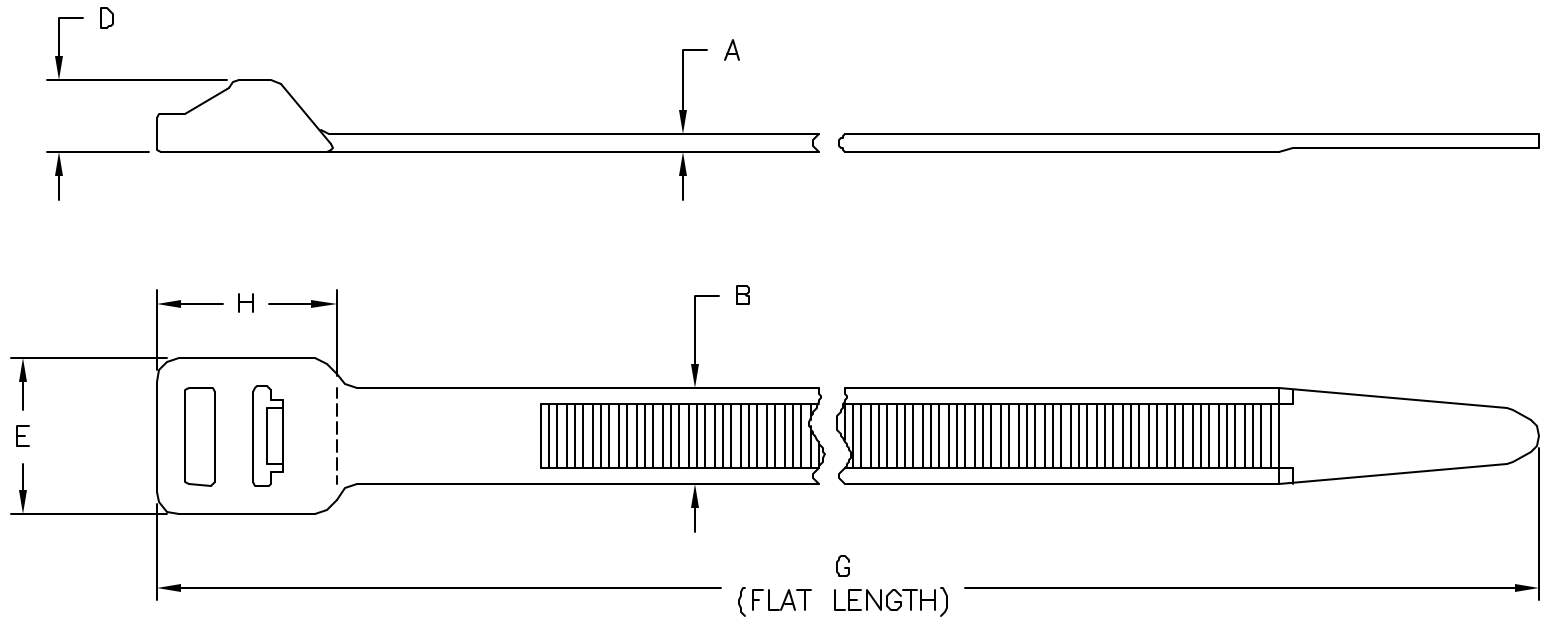


Revision level		Revision Record	Changed	Date	Approved	Date
part	drawing					
-	02	See ECN 010754	A.A.C.	05/11/07	K.A.C.	05/14/07



**PRODUCT CODE DESCRIPTION**

T250L\_HSUUV

COLOR  
(CONSULT FACTORY FOR AVAILABLE COLORS)

Group Number (UNS)	Aerospace Spec Tie SAE AS33671	Product Code	Cable Range (mm)	Material	A	B	D	E	G	H	Min Loop Tensile Strength (newtons)
-	no	T250L_	12 to 254	PA66	2.2 ±0.2	12.5±0.2	9.5 ±0.5	20.0 ±0.5	880.0 ±5.0	22.4 ±1.0	1115
-		T250L_VO		PA66VO							
-		T250L_HSUUV		PA66HSUUV							

**SEE CHART**

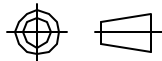
Material

Dimension tolerances unless otherwise specified

- .XXXX =
- .XXX =
- .XX =
- .X = ± NOTED
- < =

Dimension Units mm

PERFORMANCE SPECIFICATION



Drawn A.A.C. 01/18/02  
Approved K.A.C. 05/14/07

Scale 1:1 Computer File Number CT\CST\2250009\_02  
Title

**ALL PROPRIETARY RIGHTS IN THE SUBJECT MATTER SHOWN ON THIS DRAWING ARE EXCLUSIVE PROPERTY OF HELLERMANN TYTON**

**HellermannTyton**

7930 N. Faulkner Rd.  
Milwaukee, WI 53224  
Ph: (414) 355-1130  
Fx: (414) 362-8338

**T250L  
HEAVY DUTY  
LASHING CABLE TIE**

Drawing-No

**CT2250009CST**

Format

**AH**

Sheet 1 of 1