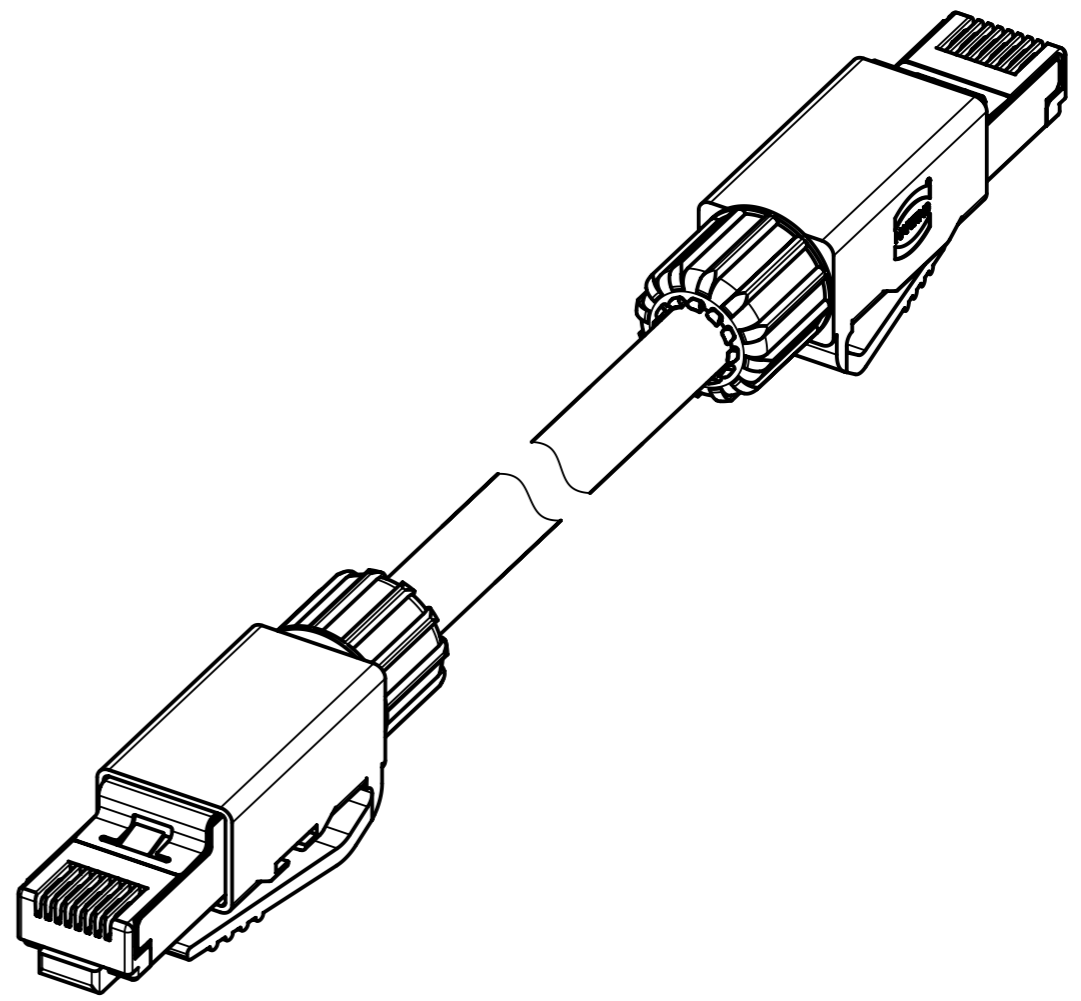
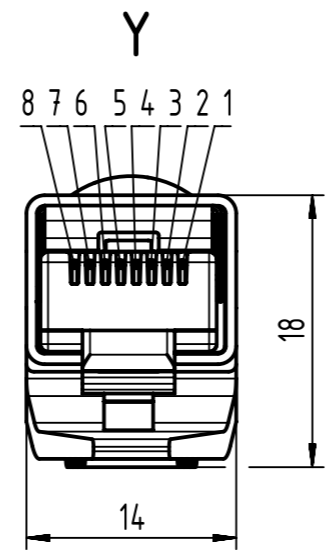


Loading-Plan
acc. to TIA/EIA 568B

Shield	
1 white/orange	1
2 orange	2
3 white/green	3
4 blue	4
5 white/blue	5
6 green	6
7 white/brown	7
8 brown	8



-Protection level: IP20
-Temperature range: -20°C ...+70°C

	All Dimensions in mm Original Size DIN A3		Scale 2:1	Free size tol.		Ref.
	All rights reserved Department EC PD - RO		Created by MUNTEANV	Inspected by AVRAM	Standardisation HOFFMANN	Date 2016-01-12
HARTING Electronics GmbH D-32339 Espelkamp		Title RJ Industrial Cable Assembly			Doc-Key / ECM-Nr. 100155413/UGD/028/E 50000098923	
		Type TB	Number 094575115XX		Rev. E	Page 1/2

