

MATERIAL NUMBER	# OF COLUMNS	# OF DIFF PAIR	DIM "A" MAX	DIM "B"	PTH#
76560-11**	10	60	19,00	17,10	0,46+0,05
76560-17**	14	84	26,60	24,70	0,46+0,05
76560-16**	16	96	30,40	28,50	0,46+0,05
76560-11**	10	60	19,00	17,10	0,39+0,05
76560-17**	14	84	26,60	24,70	0,39+0,05
76560-16**	16	96	30,40	28,50	0,39+0,05

76560-\*\*\*\*

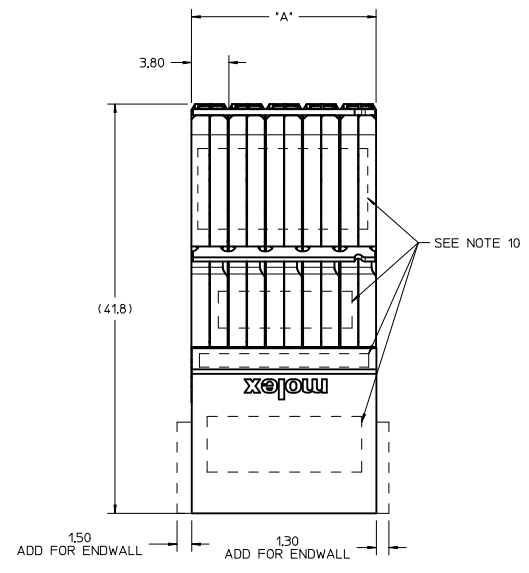
MODULE TYPE  
1 = UNGUIDED, LEAD-FREE

# OF COLUMNS  
1 = 10 COLUMNS  
6 = 16 COLUMNS  
7 = 14 COLUMNS

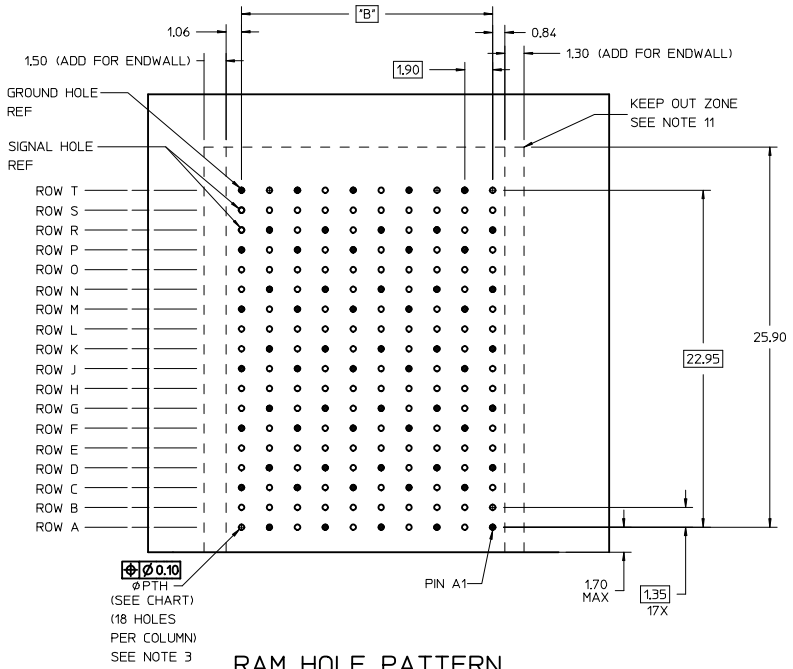
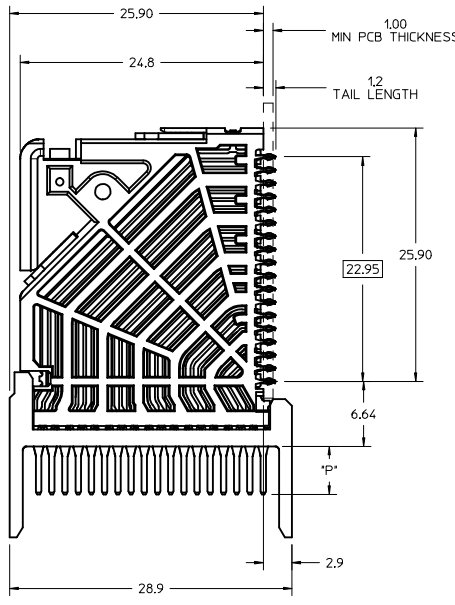
PIN LENGTH (P)  
4 = 4,90 (0,46 PTH)  
5 = 5,50 (0,46 PTH)  
7 = 4,90 (0,39 PTH)  
8 = 5,50 (0,39 PTH)

END WALL OPTIONS  
0 = OPEN  
1 = LEFT END WALL  
2 = DUAL END WALL  
3 = RIGHT END WALL

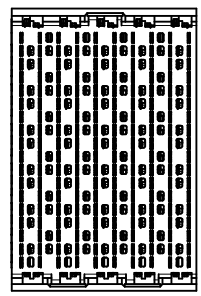
- NOTES:
1. MATERIALS: HOUSING - LIQUID CRYSTAL POLYMER (LCP), GLASS-FILLED, UL94V-0 TERMINALS - HIGH PERFORMANCE COPPER ALLOY
  2. FINISH: 30µIN SELECTIVE GOLD IN CONTACT AREA, SELECTIVE TIN ON PCB TAILS, NICKEL OVERALL.
  3. REFER TO MOLEX PRODUCT SPECIFICATION PS-76060-999 FOR PERFORMANCE SPECIFICATIONS AND ADDITIONAL PCB INFORMATION.
  4. EACH SIGNAL WAFER CONTAINS 2 COLUMNS OF TERMINALS.
  5. PRODUCT IS PACKAGED PER PK-70873-777.
  6. THIS PART CONFORMS TO CLASS B REQUIREMENTS OF COSMETIC SPEC PS-45499-002.
  7. REFER TO MOLEX SALES DRAWING SD-76150-001 FOR THE MATING RECEPTACLES.
  8. REFER TO MOLEX PCB ROUTING GUIDE AS-76060-990 FOR ANTI PAD AND ROUTING RECOMMENDATIONS.
  9. OPEN WALL VERSION SHOWN FOR CLARITY, SEE PCB LAYOUT FOR OVERALL LENGTH ADDITION ON THE ASSEMBLIES WITH ENDWALLS.
  10. MARKING: LOCATED APPROXIMATELY AS SHOWN, PART NUMBER AND DATE CODE.
  11. THESE DIMENSIONS REPRESENT THE AREA NEEDED TO ACCOMMODATE CONNECTOR INSERTION AND REPAIR ON THE PCB. THIS IS REFERRED TO AS THE "CONNECTOR KEEP OUT ZONE" AND DOES NOT REPRESENT THE ACTUAL PERIMETER OF THE CONNECTOR.



SEE NOTE 10



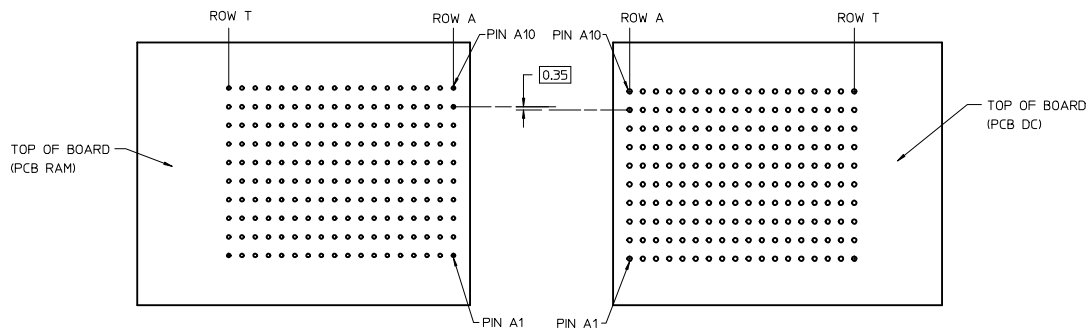
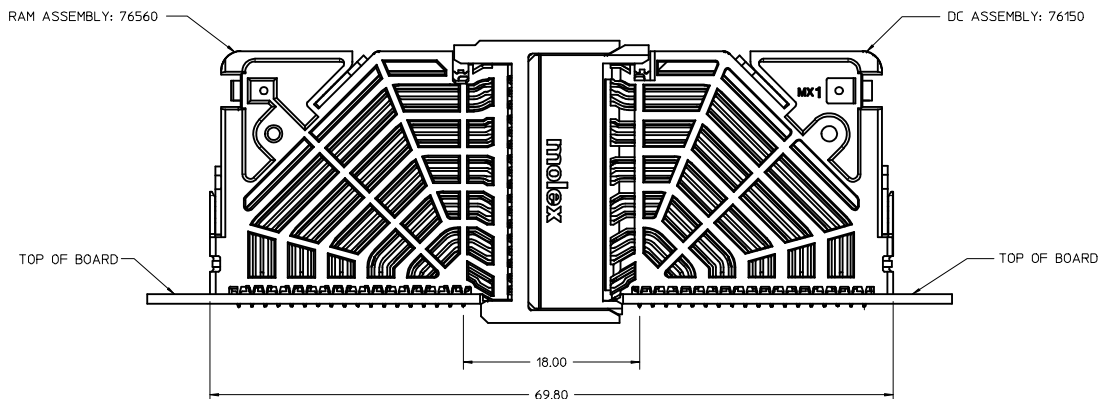
RAM HOLE PATTERN  
(CONNECTOR SIDE)



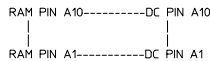
X/PROD RELEASE IEC NO. UCP2015-3090 DRAWN: JGONZALEZ01 2014/11/24 CHYD: APPR: TELO 2016/01/10	QUALITY SYMBOLS	GENERAL TOLERANCES (UNLESS SPECIFIED)	DIMENSION STYLE MM ONLY	SCALE 4:1	DESIGN UNITS METRIC	THIRD ANGLE PROJECTION
	▽=0	4 PLACES ± --- ± ---	mm INCH	DRAWN BY JGONZALEZ01	DATE 2014/11/24	TITLE IMPACT 6 PAIR RAM MARRIED - UNGUIDED SALES DRAWING
	▽=0	3 PLACES ± --- ± ---		CHECKED BY	DATE	<b>molex</b> MATERIAL NO. SD-76560-9001 DOCUMENT NO. SD-76560-9001 SHEET NO. 1 OF 2
	▽=0	2 PLACES ± 0.13 ± ---		APPROVED BY	DATE	
	1 PLACE ± 0.25 ± ---	ANGULAR ±1/2°		TELO	2016/01/10	
	0 PLACE ± --- ± ---	DRAFT WHERE APPLICABLE MUST REMAIN WITHIN DIMENSIONS		SEE TABLE		

20 19 18 17 16 15 14 13 12 11 10 9 8 7 6 5 4 3 2 1

### COPLANER APPLICATION



### COPLANER MATED SIGNAL PATHS



<b>SEE SHEET 1</b> IEC NO. UCP2015-3090 DRAWN: GONZALEZ01 2014/11/24 CHKD: APPR: TELO 2016/01/10 REV DESCRIPTION	QUALITY SYMBOLS ▽=0 ▽=0 ▽=0		GENERAL TOLERANCES (UNLESS SPECIFIED) mm INCH 4 PLACES ± --- ± --- 3 PLACES ± --- ± --- 2 PLACES ± 0.13 ± --- 1 PLACE ± 0.25 ± --- 0 PLACE ± --- ± --- ANGULAR ±1/2° DRAFT WHERE APPLICABLE MUST REMAIN WITHIN DIMENSIONS		DIMENSION STYLE <b>MM ONLY</b> DRAWN BY DATE JGONZALEZ01 2014/11/24 CHECKED BY DATE APPROVED BY DATE TELO 2016/01/10		SCALE <b>4:1</b>	DESIGN UNITS <b>METRIC</b>	THIRD ANGLE PROJECTION
	TITLE <b>IMPACT 6 PAIR RAM MARRIED - UNGUIDED SALES DRAWING</b>								
	MATERIAL NO. <b>SEE CHART</b>								
	DOCUMENT NO. <b>SD-76560-9001</b>								
THIS DRAWING CONTAINS INFORMATION THAT IS PROPRIETARY TO MOLEX INCORPORATED AND SHOULD NOT BE USED WITHOUT WRITTEN PERMISSION									

SHEET NO. 2 OF 2

19 18 17 16 15 14 13 12 11 10 9 8 7 6 5 4 3 2 1