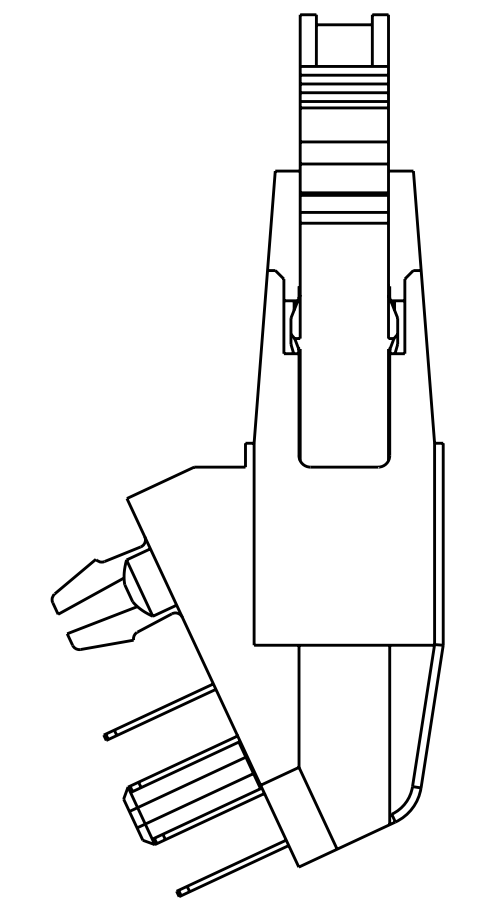
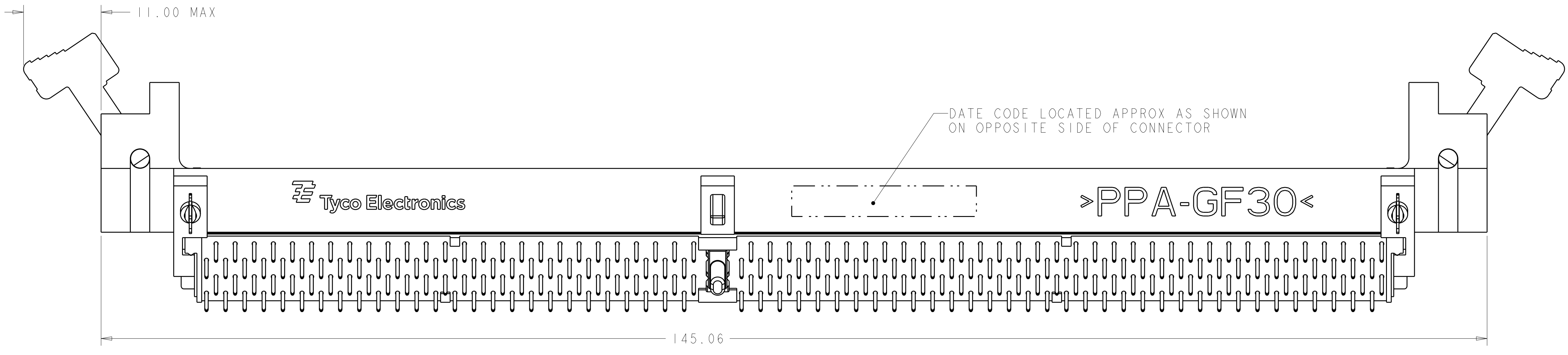
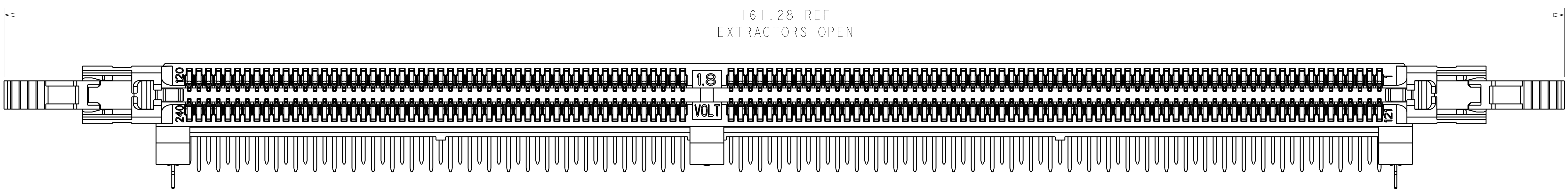
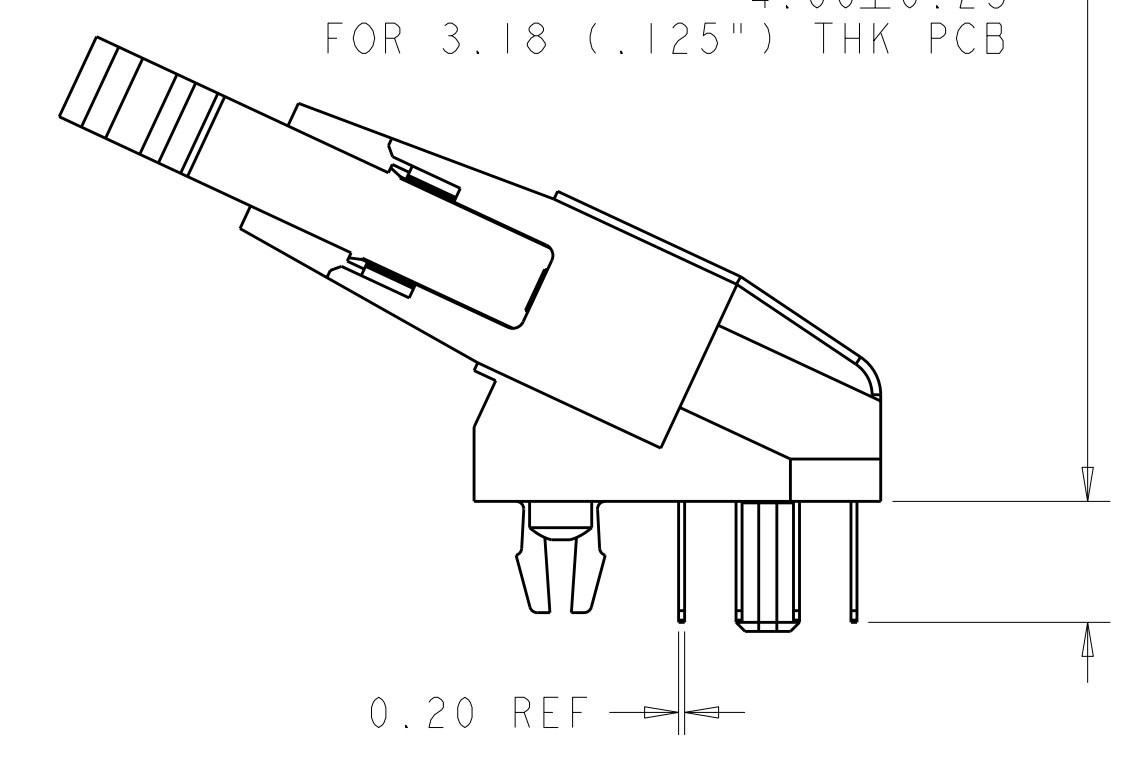
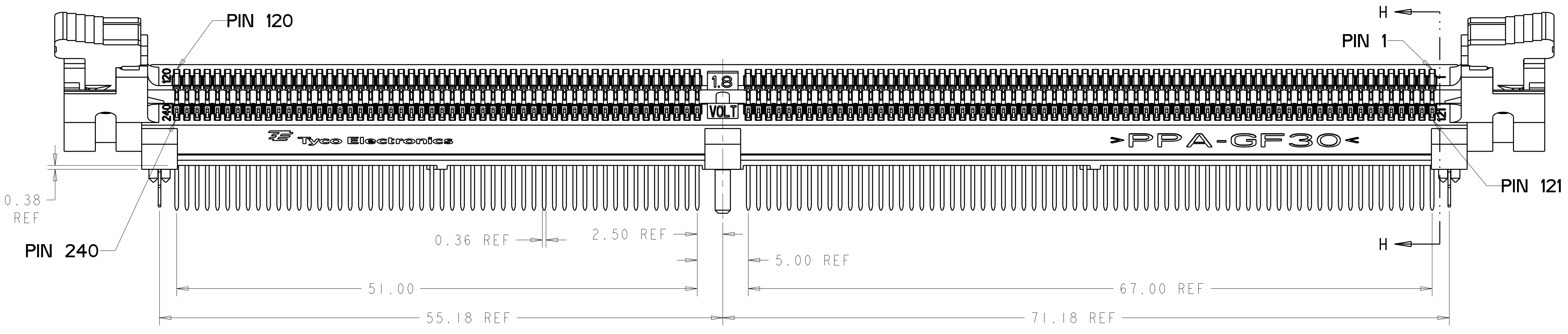


LOC	DIST	REV	DATE	BY	APPD
ES	00	A2	12JUL10	D.S.	S.Y.



TAIL LENGTHS

- 2.67±0.25 FOR 1.60 (.063") THK PCB
- 3.18±0.25 FOR 2.36 (.093") THK PCB
- 4.00±0.25 FOR 3.18 (.125") THK PCB



1 MATERIALS:
 HOUSING: HIGH TEMPERATURE THERMOPLASTIC, BLACK, UL94 V-0
 EXTRACTOR: HIGH TEMPERATURE THERMOPLASTIC, NATURAL (OFF WHITE)
 CONTACTS: COPPER ALLOY
 RETENTION BARB: COPPER ALLOY

6 DATUM **-F-** IS CONNECTOR SIDE SURFACE OF PCB.
 7 PORE BLOCKER APPLIED TO CONTACT INTERFACE.

2 INTERFACE FINISH:
 0.00076 MIN THK GOLD OVER 0.00127 MIN THK NICKEL.
 0.00038 MIN THK GOLD OVER 0.00127 MIN THK NICKEL.

3 SOLDER TAIL FINISH:
 0.00300 MIN THK MATTE LEAD FREE PLATING OVER 0.00127 MIN THK NICKEL.

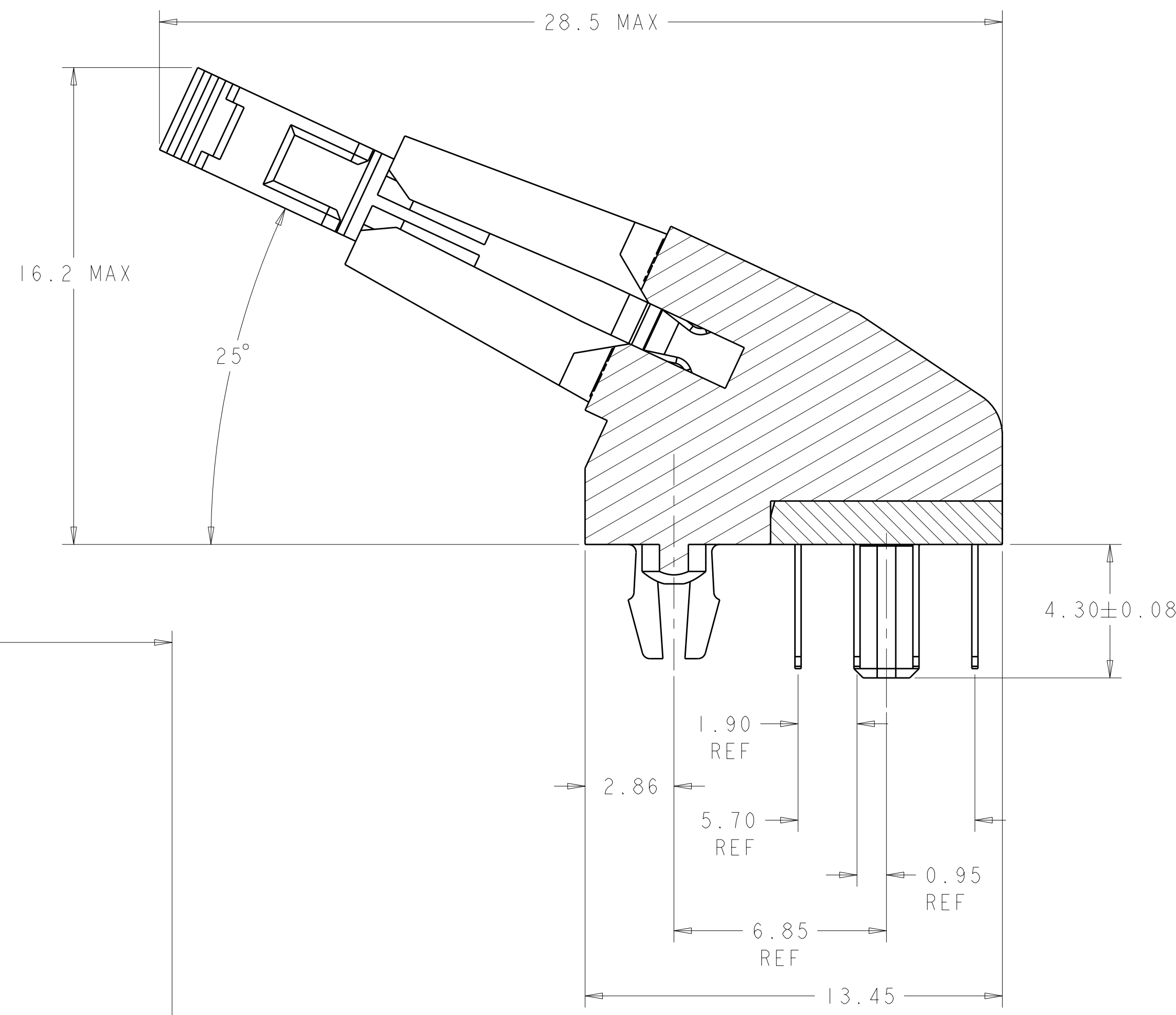
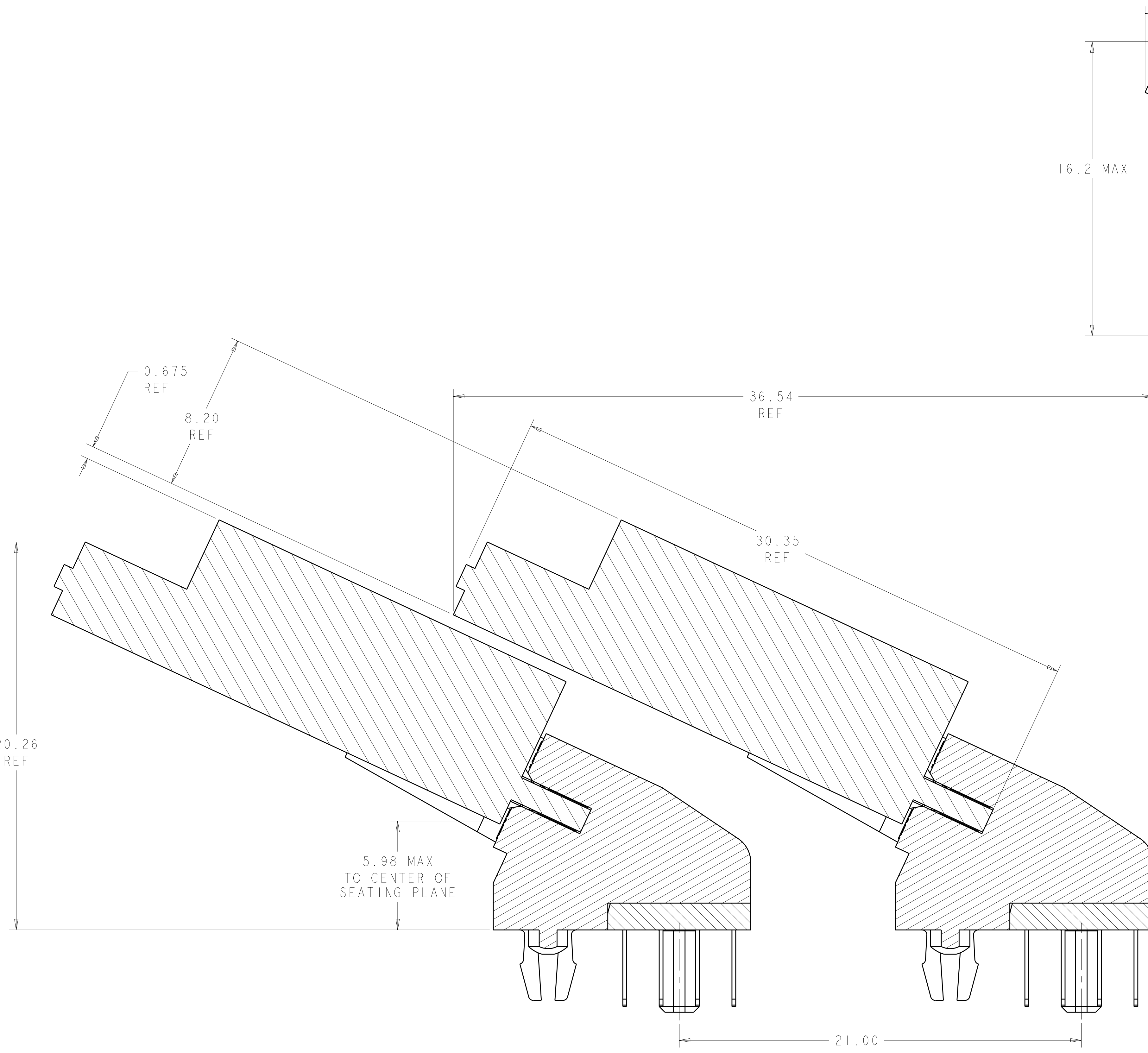
4 RIGHT HOLE IS GLOBAL D-E ORIGIN FOR ALL POSITIONAL TOLERANCES.
 LEFT AND RIGHT NON-PLATED THRU HOLES ESTABLISH **-E-**.

5 FINISHED HOLE SIZE. Ø0.15 MAXIMUM ANNULAR RING.

CONTACT GOLD INTERFACE	TAIL LENGTH	PART NUMBER
0.00038 MIN Δ	4.00	1888029-6
0.00038 MIN Δ	3.18	1888029-5
0.00038 MIN Δ	2.67	1888029-4
0.00076 MIN Δ	4.00	1888029-3
0.00076 MIN Δ	3.18	1888029-2
0.00076 MIN Δ	2.67	1888029-1

DIMENSIONS: mm 		TOLERANCES UNLESS OTHERWISE SPECIFIED: 9 PLC ±.25 2 PLC ±.15 3 PLC ±.013 4 PLC ±. ANGLES ±#1		DWN D. RINGLER 12JUL2005 CHK M. YEOMANS 18JUL2005 APVD PRODUCT SPEC 108-2168 APPLICATION SPEC 114-13130 WEIGHT CUSTOMER DRAWING		Tyco Electronics Corporation SH/CN GuiPing RD 668# SOCKET ASSEMBLY 25 DEGREE FB DIMM 240 POSITION SIZE CAGE CODE DRAWING NO A11 00779 C=1888029 SCALE 1:1 SHEET 1 OF 3 REV A2	
-----------------------	--	---	--	---	--	--	--

LOC		DIST		REVISIONS			
ES	00	REV	DATE	DESCRIPTION	DATE	DWN	APVD
-	-	-	-	SEE SHEET 1	-	-	-



SECTION **HH**
 SCALE 8:1

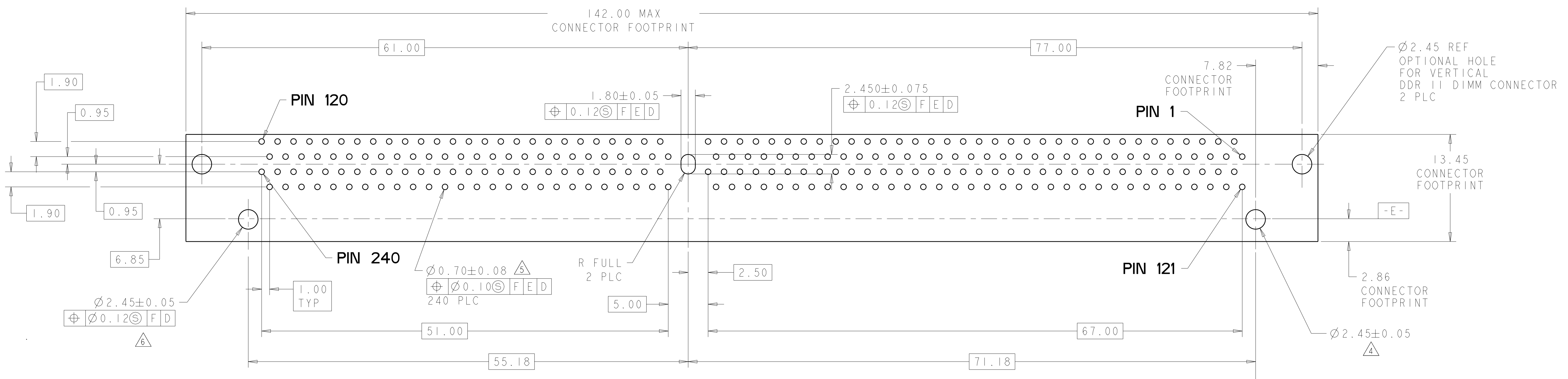
MINIMUM RECOMMENDED ROW TO ROW SPACING

SCALE 8:1

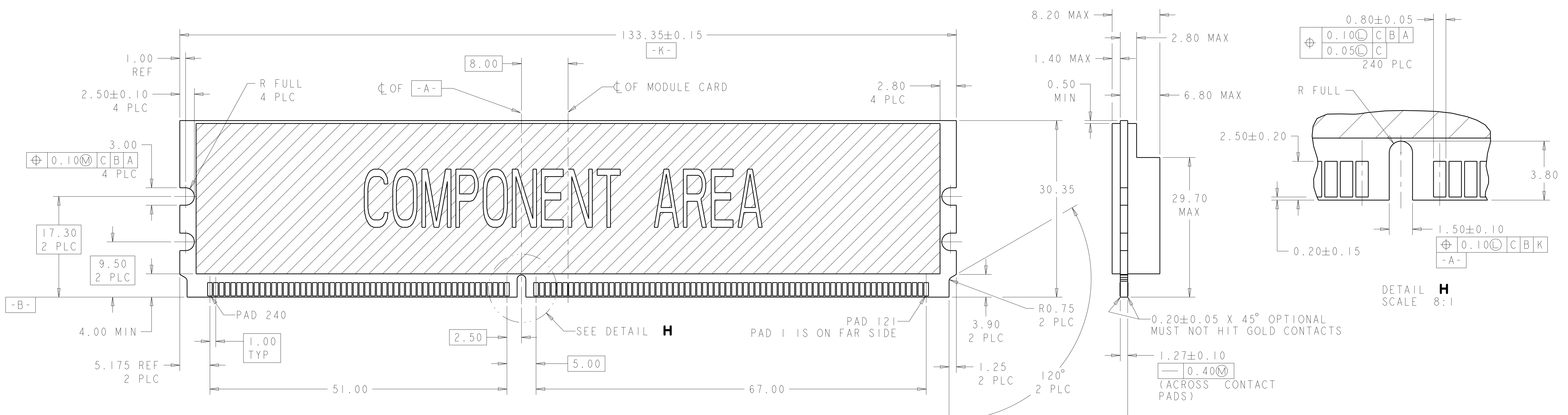
<small>THIS DRAWING IS UNPUBLISHED. RELEASED FOR PUBLICATION. ALL RIGHTS RESERVED. THIS IS SUBJECT TO CHANGE WITHOUT NOTICE AND WITHOUT OBLIGATION. SHOULD BE CONTACTED FOR THE LATEST REVISION.</small>		DWN D. RINGLER 12 JUL 2005 CHK M. YEOMANS 18 JUL 2005 APVD -	Tyco Electronics Tyco Electronics Corporation SH/CN GuiPing RD 668#
DIMENSIONS: mm 	TOLERANCES UNLESS OTHERWISE SPECIFIED: 9 PLC ± 1 PLC ±0.25 2 PLC ±0.15 3 PLC ±0.13 4 PLC ± ANGLES ±° FINISH ±#1	PRODUCT SPEC 108-2168 APPLICATION SPEC 114-13130 WEIGHT - CUSTOMER DRAWING	NAME SOCKET ASSEMBLY 25 DEGREE FB DIMM 240 POSITION SIZE CAGE CODE DRAWING NO RESTRICTED TO A11 00779 C=1888029 - SCALE 1:1 SHEET 2 OF 3 REV A2

LOC	DIST	REV	DATE	BY	APPD
ES	00				

REVISIONS		DATE	BY	APPD
-	SEE SHEET 1	-	-	-



RECOMMENDED PCB HOLE LAYOUT Δ
 VIEWED FROM CONNECTOR SIDE
 SCALE 4:1



RECOMMENDED MODULE LAYOUT
 SCALE 3:1

<small>THIS DRAWING IS UNPUBLISHED. RELEASED FOR PUBLICATION BY TYCO ELECTRONICS CORPORATION, ALL RIGHTS RESERVED.</small>		DWN D. RINGLER 12 JUL 2005	Tyco Electronics Tyco Electronics Corporation SH/CN GuiPing RD 668#
DIMENSIONS: mm		CHK M. YEOMANS 18 JUL 2005	NAME SOCKET ASSEMBLY 25 DEGREE FB DIMM 240 POSITION
TOLERANCES UNLESS OTHERWISE SPECIFIED: 9 PLC ±0.25 1 PLC ±0.15 5 PLC ±0.13 4 PLC ±0.10 ANGLES ±1°		PRODUCT SPEC 108-2168 APPLICATION SPEC 114-13130	SIZE A11 00779 CAGE CODE C=1888029
MATERIAL: - FINISH: -		WEIGHT: - CUSTOMER DRAWING	RESTRICTED TO: - SCALE 1:1 SHEET 3 OF 3 REV A2