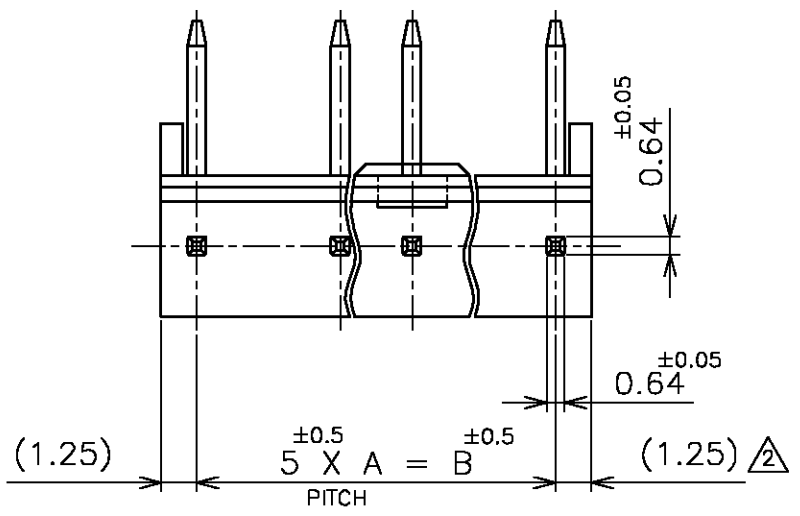


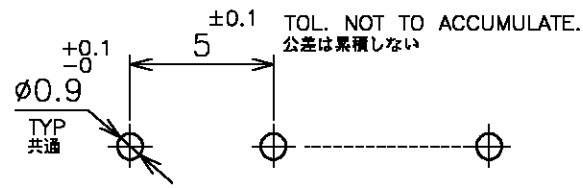
THIS DRAWING IS UNPUBLISHED. RELEASED FOR PUBLICATION MAR, 1979.
 © COPYRIGHT 1979 BY TYCO ELECTRONICS CORPORATION. ALL RIGHTS RESERVED.

LOC	DIST	REVISIONS					
J	-	P	LTR	DESCRIPTION	DATE	DWN	APVD
		E		REVISED FJB0-0393-03	07MAY03	H.T	I.E

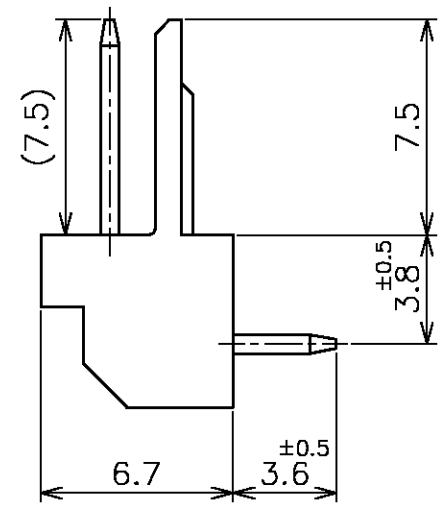
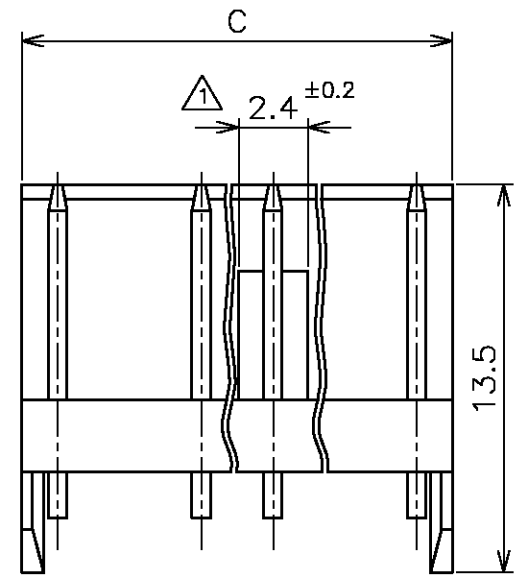


△1 LOCKING HOLE IS PLACED ON THE CENTER OF POST HEADER.
 △2 3.75 REF FOR -6 (6 POS) ONLY.

△1 ロッキング凹部位置は長手方向の中央。
 △2 -6 (6極品) のみ 3.75 参考



RECOMMENDED BOARD LAYOUT (1.6 THK)
 取付基板寸法 (基板厚 1.6t)



30.0	25.0	5	6	4-172107-6	2-172107-6	172107-6
22.5	20.0	4	5	4- ↑ -5	2- ↑ -5	↑ -5
17.5	15.0	3	4	4- -4	2- -4	-4
12.5	10.0	2	3	4- -3	2- -3	-3
7.5	5.0	1	2	4-172107-2	2-172107-2	172107-2
±0.2 C	±0.5 B	A	NO OF POS 極数	BLUE 青色	BLACK 黒色	NATURAL 自然色
				PART NUMBER 型番		

THIS DRAWING IS A CONTROLLED DOCUMENT.

DWN S.TSUKAKOSHI 28MAR79	tyco Electronics	Tyco Electronics AMP K.K. Kawasaki, Japan	
CHK N.ONOUE 30MAR79		NAME 名称	
APVD N.ONOUE 30MAR79	PRODUCT SPEC 製品規格		
APPLICATION SPEC 取付適用規格			
WEIGHT			
MATERIAL 材料 HSG : 66NYLON UL94V-0 POST: BRASS		FINISH 仕上 POST: TIN-PLATE	
DIMENSIONS: 単位: 概 MM		TOLERANCES UNLESS OTHERWISE SPECIFIED: 一般公差	
		0 PLC ± 0.3 1 PLC ± 0.3 2 PLC ± 0.3 3 PLC ± 0.3 4 PLC ± 0.3 ANGLES ±	
CUSTOMER DRAWING		SIZE A3	CAGE CODE 00779
DRAWING NO 番号		172107	
SCALE 尺度 4:1		SHEET 1 OF 1	REV E