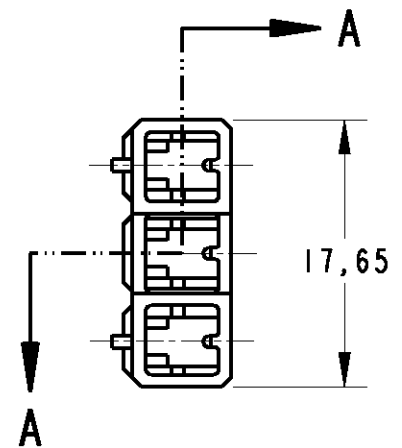
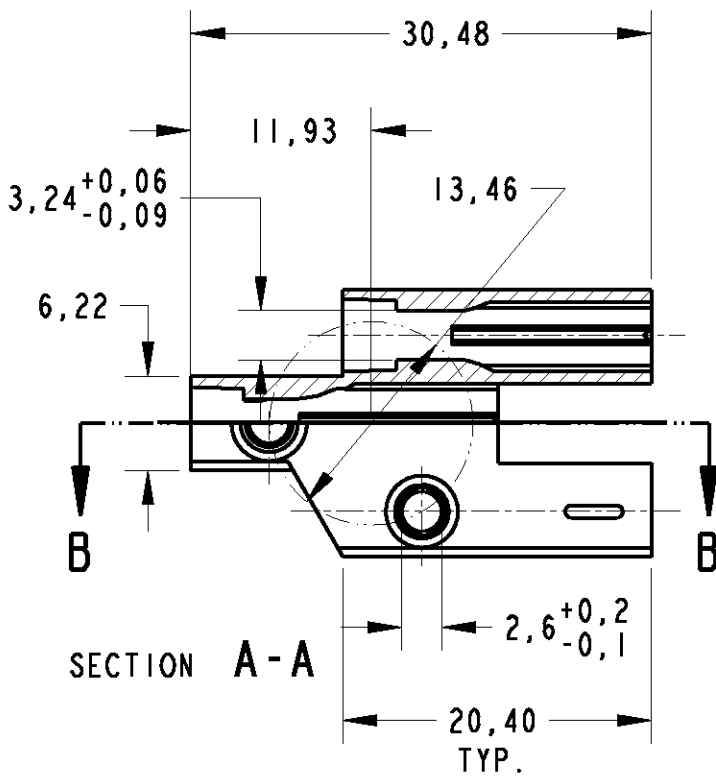
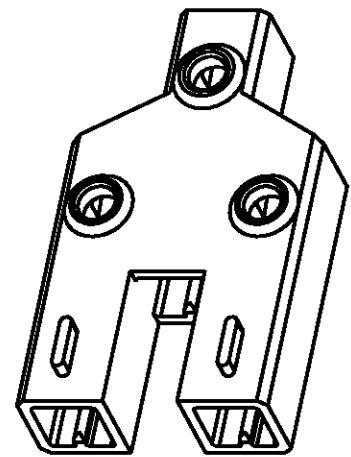
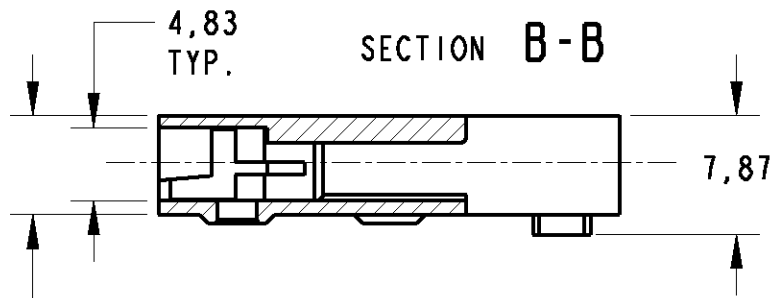


| LOC | DIST | REVISIONS | | | | | |
|-----|------|-----------|-----|--|-----------|-----|------|
| AP | - | P | LTR | DESCRIPTION | DATE | DWN | APVD |
| | | O | | RELEASED EC LB00-0167/01 WAS99-29124-001 | 24APR01 | H.C | WLS |
| | | A | | REVISED BY EC LB00-0208/01 | 15MAY2001 | H.C | WLS |
| | | B | | REVISED BY EC LB00-0372-02 | 12DEC2002 | H.C | WLS |
| | | C | | REVISED BY LE-06-011315 | 16MAI2006 | HC | WLS |



19 RELEASED FOR PUBLICATION

COPYRIGHT 19 BY TYCO ELECTRONICS CORPORATION. ALL RIGHTS RESERVED.

| | | | |
|------------------------|---------------|-------------------|--------------------|
| - | NATURAL | PBT VALOX 310-SE0 | 1380145-2 |
| - | NATURAL | PBT VALOX 310 | 1380145-1 |
| OTHER TREATMENT | FINISH | MATERIAL | PART NUMBER |

| | |
|--|------|
| DIMENSIONS: | |
| mm | |
| TOLERANCES UNLESS OTHERWISE SPECIFIED: | |
| 0 PLC | ±- |
| 1 PLC | ±- |
| 2 PLC | ±0,3 |
| 3 PLC | ±- |
| 4 PLC | ±- |
| ANGLES | ±- |
| | |

| | | |
|-------------------------|--------------|---------|
| DWN | H.C. CANTERI | 17NOV00 |
| CHK | W.L. STEFANI | 17NOV00 |
| APVD | - | - |
| PRODUCT SPEC | 108-2008 | |
| APPLICATION SPEC | - | |
| WEIGHT | - | |
| CUSTOMER DRAWING | | |

| | | | |
|------------|-----------|--|---------------|
| MATERIAL | | FINISH | |
| - | | - | |
| AMP | | AMP do Brasil LTDA. São Paulo, Brasil | |
| NAME | | CLUSTER BLOCK HSG. 2,29 (.090) DIA. | |
| SIZE | CAGE CODE | DRAWING NO | RESTRICTED TO |
| A4 | 00779 | ©-1380145 | - |
| SCALE | | SHEET | OF |
| - | | 1 | 1 |
| REV | | | C |