

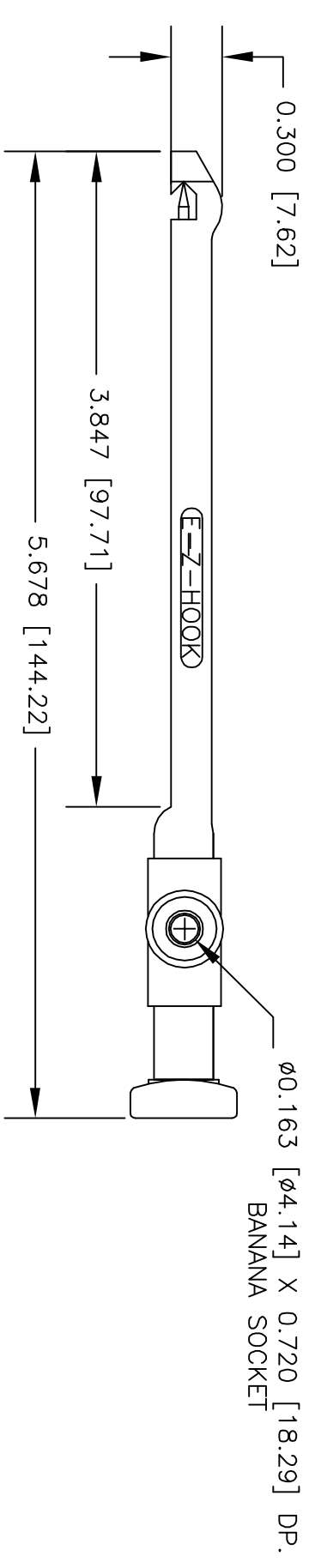
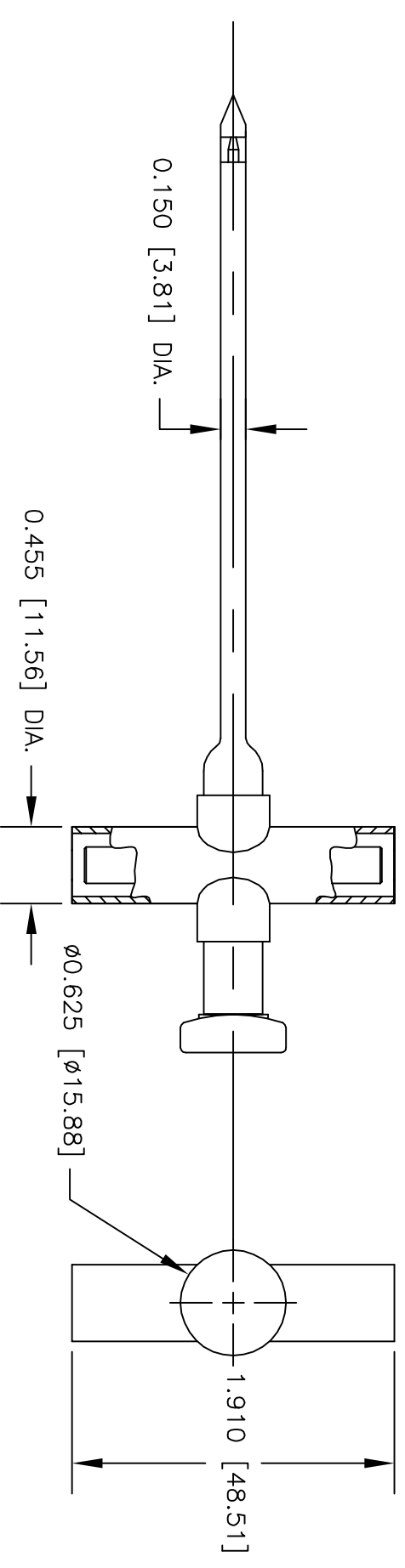
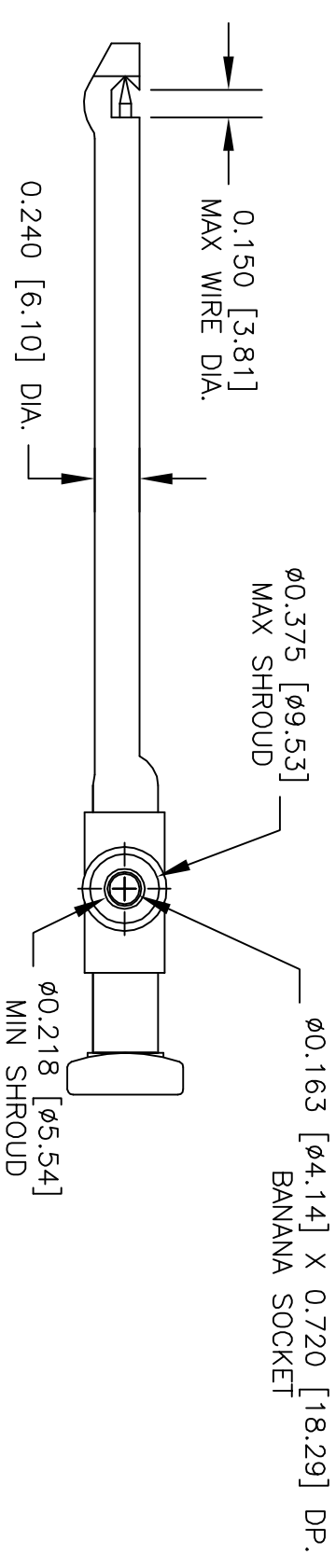
NOTES: UNLESS OTHERWISE SPECIFIED

LTR	DESCRIPTION	DATE	APPROVEI
-----	-------------	------	----------

- CONSTRUCTION:
HOUSING & PLUNGER & SLIDE: MOLDED NYLON 6,6.
AVAILABLE IN TEN COLORS.
CONTACT NEEDLE: STAINLESS STEEL.
BANANA SOCKER: 360 1/2 HD. BRASS.
COMPRESSION SPRING: STAINLESS STEEL.

- PERFORMANCE:
MAXIMUM CURRENT: 500 mA
MAXIMUM VOLTAGE: 300 V
MAXIMUM TEMPERATURE: 200°F (93°C)

- FEATURES:
NEEDLE PIERCES WIRE $\phi 0.050$ [$\phi 1.27$] TO $\phi 0.150$ [$\phi 3.81$].
DOUBLE BANANA SOCKET.
ACCEPTS SHROUDED AND UNSHROUDED BANANA PLUGS.



UNLESS OTHERWISE SPECIFIED DIMENSIONS ARE IN INCHES TOLERANCES ARE: FRACTIONS DECIMALS ANGLES		CONTRACT NO.	
# .XX #	#	APPROVALS	DATE
# .XXX #	#	R.L.	6/09
MATERIAL SEE NOTE.		APPROVED BY	
FINISH SEE NOTE.			
NEXT ASSY USED ON			
APPLICATION		DO NOT SCALE DRAWING	
E-Z-HOOK		DESCRIPTION	
DIVISION OF TEKTEST INC. ARCADIA, CA 91006 U.S.A.		E-Z-MACRO HOOK INSULATION-PIERCING	
SIZE	CODE IDENT NO.	DRAWING NO.	REV
B	08505	XEL	
SCALE	1:1	SHEET 1 OF 1	

THE INFORMATION CONTAINED IN THIS DOCUMENT IS PROPRIETARY TO E-Z-HOOK. THE INFORMATION IS NOT TO BE REPRODUCED WITHOUT PRIOR WRITTEN PERMISSION OF E-Z-HOOK, DIV. OF TEKTEST INC. MAXIMUM TESTED RATINGS IN A HANDS-FREE CONTROLLED ENVIRONMENT. MAXIMUM RATINGS ARE NOT TO BE USED CONCURRENTLY.