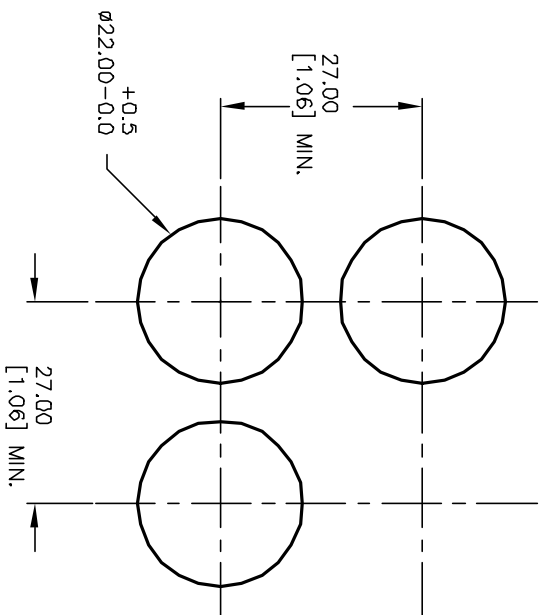
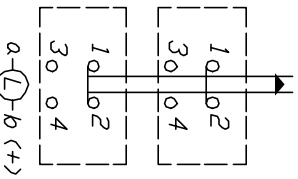


| Item | Qty. | Dwg. No. | Part No.                |
|------|------|----------|-------------------------|
| 1    | 1    | F051702  | 25mm RING FOR LA SERIES |
| 2    | 1    | F060603  | LASEEV12                |
| 3    | 1    | F061254  | 25MM GREEN LENS         |
| 4    | 1    | F050419  | LED 12VDC GREEN         |



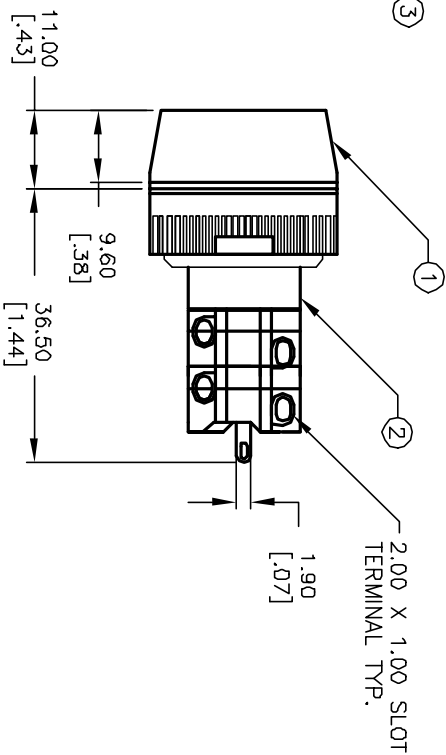
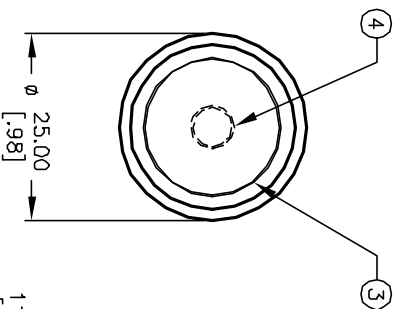
RECOMMENDED PANEL MOUNTING



DPST  
CONTACT CONFIGURATION

NOTES:

1. ALL DIMENSIONS IN MM [INCH]
2. GENERAL TOLERANCE: 0.0=±0.4  
0.00=±0.25
3. RATINGS: 250VAC @5A,  
125VAC @8A
4. TRAVEL: 3.0mm



**E-SWITCH®**

LASEEV12JGRNGRN

| REV. | ECN No. | DESCRIPTION             | DATE   | CHKD |
|------|---------|-------------------------|--------|------|
| A    | 13015   | RELEASED FOR PRODUCTION | 4/8/03 | AR   |

| TITLE           | SCALE | DATE   | DR | DWG     | REV |
|-----------------|-------|--------|----|---------|-----|
| LASEEV12JGRNGRN | 1:1   | 4/2/03 | AR | XF0383P | A   |

THE INFORMATION CONTAINED IN THIS DOCUMENT IS PROPRIETARY TO E-SWITCH AND IS NOT TO BE COPIED OR TRANSMITTED