

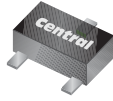
CMUT5179

**SURFACE MOUNT  
NPN SILICON  
RF TRANSISTOR**



www.centrasemi.com

ULTRAmulti™



SOT-523 CASE

**DESCRIPTION:**

The CENTRAL SEMICONDUCTOR CMUT5179 type is an NPN silicon RF transistor manufactured by the epitaxial planar process, epoxy molded in an ULTRAmulti™ surface mount package, designed for low noise, high frequency amplifier and high output oscillator applications.

**MARKING CODE: HC7**

**MAXIMUM RATINGS:** (T<sub>A</sub>=25°C)

Collector-Base Voltage	V <sub>CB0</sub>	20	V
Collector-Emitter Voltage	V <sub>CEO</sub>	15	V
Emitter-Base Voltage	V <sub>EBO</sub>	2.5	V
Continuous Collector Current	I <sub>C</sub>	50	mA
Power Dissipation	P <sub>D</sub>	250	mW
Operating and Storage Junction Temperature	T <sub>J</sub> , T <sub>stg</sub>	-65 to +150	°C
Thermal Resistance	θ <sub>JA</sub>	500	°C/W

**SYMBOL**

**UNITS**

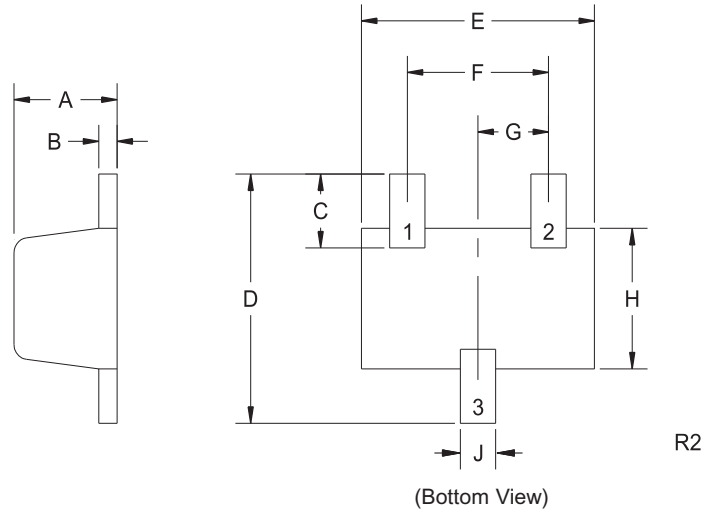
**ELECTRICAL CHARACTERISTICS:** (T<sub>A</sub>=25°C unless otherwise noted)

SYMBOL	TEST CONDITIONS	MIN	TYP	MAX	UNITS
I <sub>CB0</sub>	V <sub>CB</sub> =15V			20	nA
BV <sub>CB0</sub>	I <sub>C</sub> =10μA	20			V
BV <sub>CEO</sub>	I <sub>C</sub> =3.0mA	15			V
BV <sub>EBO</sub>	I <sub>E</sub> =10μA	2.5			V
V <sub>CE(SAT)</sub>	I <sub>C</sub> =10mA, I <sub>B</sub> =1.0mA			0.4	V
V <sub>BE(SAT)</sub>	I <sub>C</sub> =10mA, I <sub>B</sub> =1.0mA			1.0	V
h <sub>FE</sub>	V <sub>CE</sub> =1.0V, I <sub>C</sub> =3.0mA	25			
f <sub>T</sub>	V <sub>CE</sub> =6.0V, I <sub>C</sub> =5.0mA, f=100MHz	900	1450		MHz
C <sub>cb</sub>	V <sub>CB</sub> =10V, I <sub>E</sub> =0, f=0.1 to 1.0MHz			1.0	pF
h <sub>fe</sub>	V <sub>CE</sub> =6.0V, I <sub>C</sub> =2.0, f=1.0kHz	25			
G <sub>pe</sub>	V <sub>CE</sub> =6.0V, I <sub>C</sub> =5.0mA, f=200MHz		15		dB
NF	V <sub>CE</sub> =6.0V, I <sub>C</sub> =1.5mA, R <sub>S</sub> =50Ω, f=200MHz		4.5		dB

CMUT5179  
 SURFACE MOUNT  
 NPN SILICON  
 RF TRANSISTOR



SOT-523 CASE - MECHANICAL OUTLINE



LEAD CODE:

- 1) Base
- 2) Emitter
- 3) Collector

MARKING CODE: HC7

SYMBOL	INCHES		MILLIMETERS	
	MIN	MAX	MIN	MAX
A	0.023	0.031	0.58	0.78
B	0.002	0.008	0.04	0.20
C	0.013	0.021	0.34	0.54
D	0.059	0.067	1.50	1.70
E	0.059	0.067	1.50	1.70
F	0.035	0.043	0.90	1.10
G	0.020		0.50	
H	0.031	0.039	0.78	0.98
J	0.010	0.014	0.25	0.35

SOT-523 (REV: R2)

R2 (9-February 2010)

## OUTSTANDING SUPPORT AND SUPERIOR SERVICES



---

### PRODUCT SUPPORT

Central's operations team provides the highest level of support to insure product is delivered on-time.

- Supply management (Customer portals)
- Inventory bonding
- Consolidated shipping options
- Custom bar coding for shipments
- Custom product packing

---

### DESIGNER SUPPORT/SERVICES

Central's applications engineering team is ready to discuss your design challenges. Just ask.

- Free quick ship samples (2<sup>nd</sup> day air)
- Online technical data and parametric search
- SPICE models
- Custom electrical curves
- Environmental regulation compliance
- Customer specific screening
- Up-screening capabilities
- Special wafer diffusions
- PbSn plating options
- Package details
- Application notes
- Application and design sample kits
- Custom product and package development

---

### REQUESTING PRODUCT PLATING

1. If requesting Tin/Lead plated devices, add the suffix " TIN/LEAD" to the part number when ordering (example: 2N2222A TIN/LEAD).
2. If requesting Lead (Pb) Free plated devices, add the suffix " PBFREE" to the part number when ordering (example: 2N2222A PBFREE).

---

### CONTACT US

#### Corporate Headquarters & Customer Support Team

Central Semiconductor Corp.  
145 Adams Avenue  
Hauppauge, NY 11788 USA  
Main Tel: (631) 435-1110  
Main Fax: (631) 435-1824  
Support Team Fax: (631) 435-3388  
[www.centrasemi.com](http://www.centrasemi.com)

**Worldwide Field Representatives:**  
[www.centrasemi.com/wwreps](http://www.centrasemi.com/wwreps)

**Worldwide Distributors:**  
[www.centrasemi.com/wwdistributors](http://www.centrasemi.com/wwdistributors)

---

For the latest version of Central Semiconductor's **LIMITATIONS AND DAMAGES DISCLAIMER**, which is part of Central's Standard Terms and Conditions of sale, visit: [www.centrasemi.com/terms](http://www.centrasemi.com/terms)